

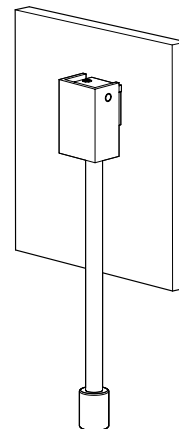
General Product information



This product is suitable for dry locations only.

The product turns on automatically when the fixture is pulled away from the wall.

These are supplemental instructions to be used in conjunction with the Libri - Hardwired or Libri - Plugin instructions.



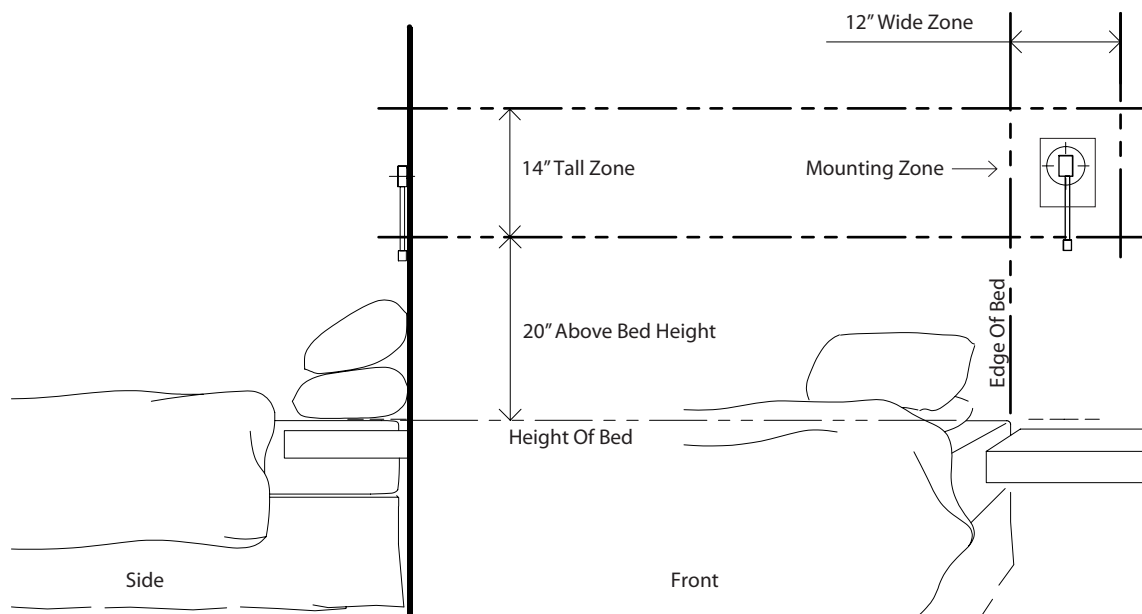
WARNING



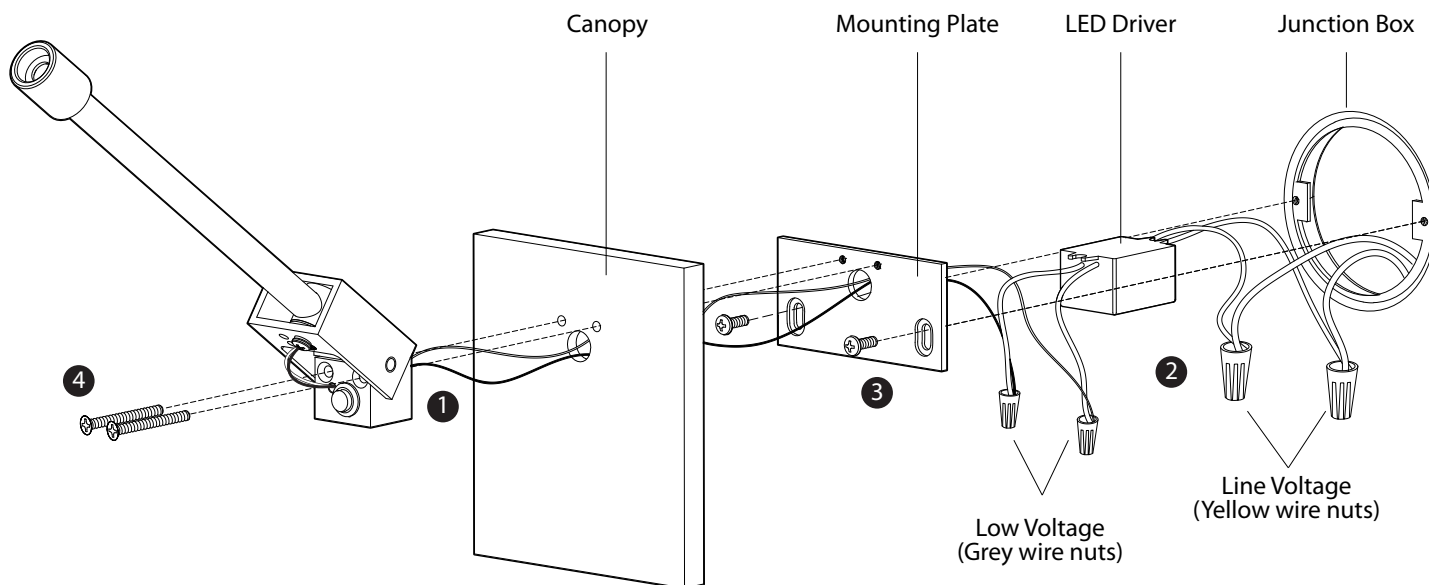
This product requires the use of the supplied CONSTANT CURRENT led driver. **DO NOT CONNECT DIRECTLY TO LINE VOLTAGE OR USE ANY OTHER POWER SOURCE!!!**

Positioning the Fixture

For mounting the libri as a bedside reading fixture, there is an optimal zone within which to mount the fixture. The exact position within this zone will depend on personal preference. If you enjoy sitting upright to read, you will want to mount it high and away from the edge of the bed. If you don't have long arms and want to control the light while laying down, you will want to mount the fixture lower and closer towards the bed.



HARDWIRED

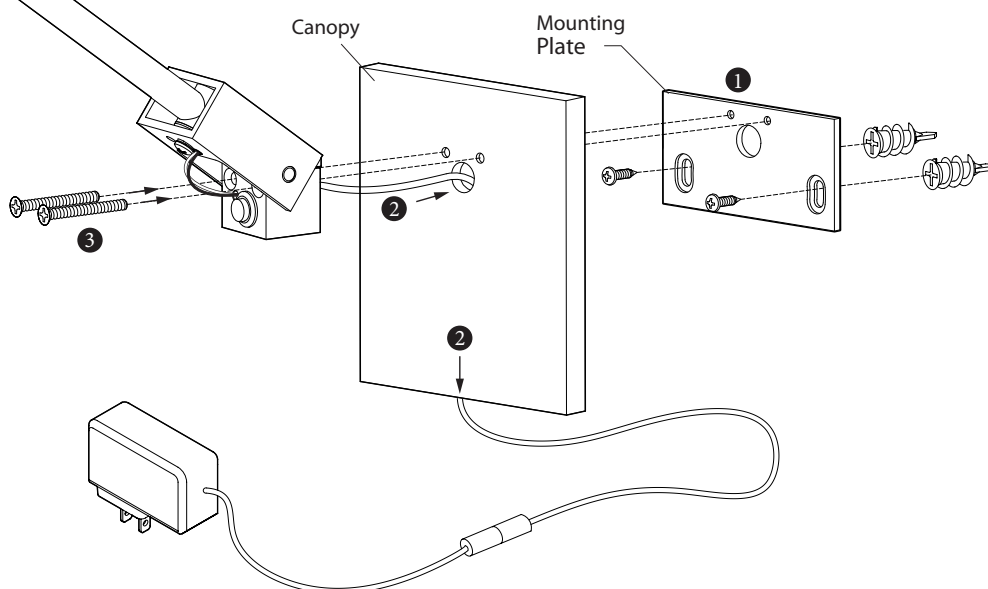


- 1 Feed fixture wires through the canopy and mount in plate as shown.
- 2 Make wire connections as shown and place LED driver and excess wire in junction box.
- 3 Attach mounting plate to junction box using the provided screws, until level, then tighten screws.
- 4 Attach Libri fixture and canopy to mounting plate using the provided screws.

PLUG IN

Installing the Fixture

- 1 Attach the mounting plate to the wall securely (drywall anchors included). Be sure the plate is level.
- 2 Pull excess cord out of the bottom of the canopy as you place the Libri light fixture body against the canopy.
- 3 Use screws to secure the light fixture into place, taking care to not pinch the cord.
- 4 Plug the cord into the Supplied constant current LED driver.



WARNING

DO NOT CONNECT DIRECTLY TO LINE VOLTAGE OR ANY OTHER POWER SOURCE!