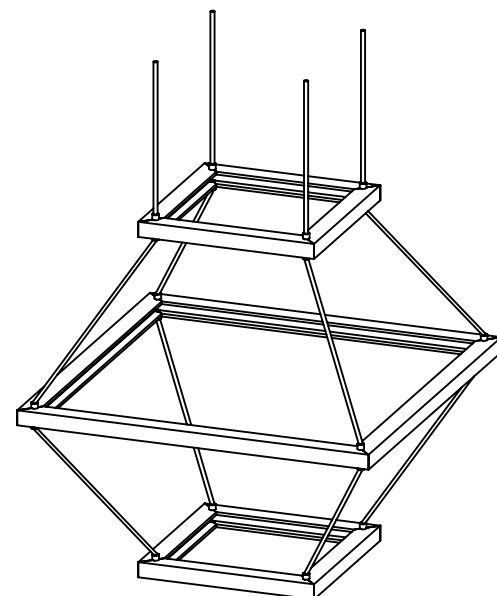
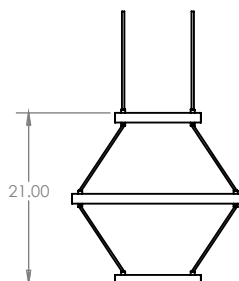
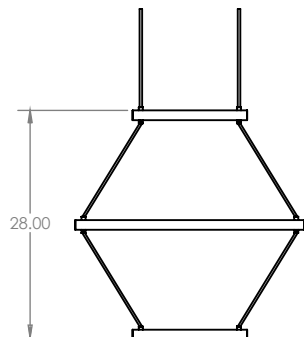
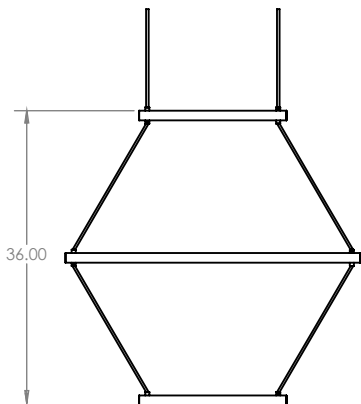
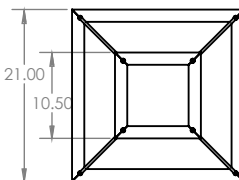
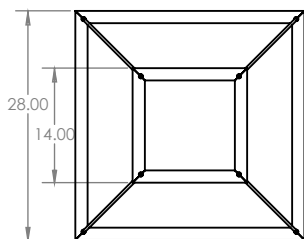
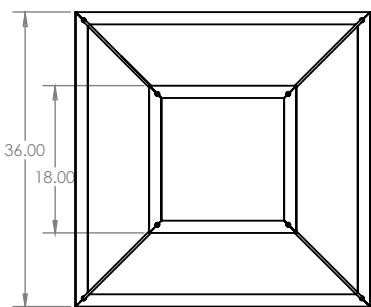


## DIMENSIONS



# lantern pendant

### DESIGN

2017

### MATERIALS

Solid wood  
24V LED extrusion  
Suspension hardware

### CERTIFICATION



### COLOR TEMP

3000K  
Custom upon request

### POWER CONSUMPTION

Small:96W, Medium:127W,  
Large:170W

### OUTPUT

407.2 lumens/ft  
Small:5700lm, Medium:7300lm,  
Large:9768lm  
Equivalent incandescent 75-100W

### DIMMING TYPE

24V phase dimmable driver  
0-10V dimmable driver upon request

### DRIVER

120VAC - 24VDC  
120 - 277VAC - 24VDC upon request

### SUSPENSION

4 point canopy suspension (per fixture)  
10' cord length power cable  
Custom lengths upon request

### FIXTURE WEIGHT

Small: 9 lbs  
Medium: 10 lbs  
Large: 11 lbs

### SIZE WOOD

Small	W.Oak White
Medium	W.Oak Natural
Large	W.Oak Black Walnut

### ORDER SPECIFICATIONS:

LTRN		
MODEL	SIZE	WOOD

hollis+morris