

# nh1217 table

1217018A

## SPECIFICATIONS



### Design By

NERI&HU

### Collection

Design



### Specifications

Lamp type	LED-T (Non Integrated) ONLY
Lamp	max 5W LED E12/G16.5
Lamp Included	No
Control type	Switch (On Cord)
Input Voltage	120V
Power consumption	5W
Ballast	N/A

### Colors & Finishes

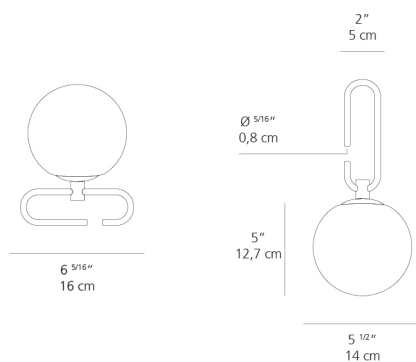
- White Glass (Diffuser)
- Brushed Brass (Ring)

### Materials

- Diffuser in white blown glass
- Adjustable ring in a brushed brass
- Structure in metal painted black

### Features & Accessories

### Dimensions



### Packaging

1 Box

1 x 7-15/16" x 7-15/16" x 8-3/8" / 2.19 lbs - 20 cm x 20 cm x 21 cm / .995 kg

### Light distribution

Diffused

### Luminaire weight

1.57 lbs / .71 kg

### Warranty