

# Yanzi floor

1102015A

## SPECIFICATIONS



### Design By

NERI&HU

### Collection

Design



### Specifications

Delivered lumens	1682lm
Light output ratio	105lm/W
Power consumption	19.9W
Led type	16.4W Array*
CCT (Correlated Color Temperature)	3000K
CRI (Color Rendering Index)	>90
Life expectancy	50000Hrs
Control type	DIMMABLE (On stem)
Input Voltage	120V
Driver	N/A

### Colors & Finishes

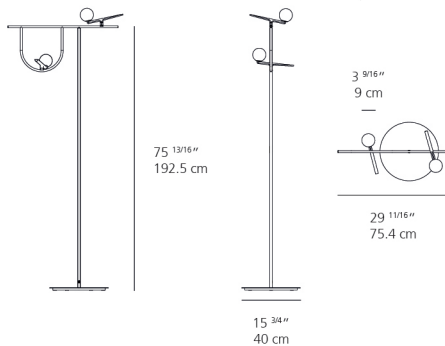
- Glass white (Diffuser)
- Brushed Brass (Swallows)
- Black (Stem & Base)

### Materials

- Small opal blown glass diffuser
- Stem in painted steel
- Bird body in cast Zamak, gold anodized

### Features & Accessories

### Dimensions



### Packaging

3 Boxes

1 x 75-11/16" x 33-9/16" x 3-5/8" / 13.23 lbs - 192 cm x 85 cm x 9 cm / 6 kg

1 x 15-13/16" x 15-13/16" x 8-3/4" / 4.3 lbs - 40 cm x 40 cm x 22 cm / 1.95 kg

1 x 18-13/16" x 20-3/8" x 2-7/16" / 31.31 lbs - 47.5 cm x 51.5 cm x 6 cm / 14.2 kg

### Light distribution

Diffused

### Luminaire weight

38.56 lbs / 17.49 kg

### Warranty