

Mercury LED suspension 2-wire dimming

SPECIFICATIONS

1367W18A



Design By

Ross Lovegrove

Collection

Design



Specifications

Delivered lumens	2692lm
Light output ratio	46lm/W
Power consumption	58W
Led type	2X27W C.O.B.*
CCT (Correlated Color Temperature)	2700K
CRI (Color Rendering Index)	>93
Life expectancy	50000Hrs
Control type	Dimmable 2-Wire**
Input Voltage	120-277V
Driver	HATCH - 2 x XTC32-0700P-UNV-I

**Reverse or forward phase (120v only)

Colors & Finishes

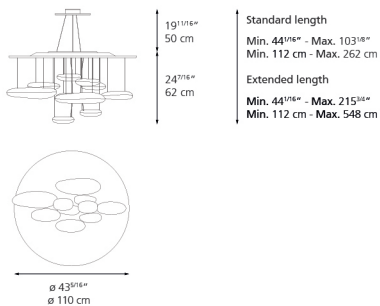
- Polished Aluminum (Pebbles)
- Stainless Steel (Reflector)

Materials

- Lighting units in die-cast aluminum
- Reflective units made of injection-molded thermoplastic material with metallic finish
- Reflector in stainless steel

Features & Accessories

Dimensions



Packaging

1 Box

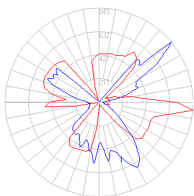
1 x 47-5/16" x 47-5/16" x 9-15/16" / 51.81 lbs - 120 cm x 120 cm x 25 cm / 23.5 kg

Light distribution

Indirect

Luminaire weight

34.5 lbs / 15.65 kg



Red = Max Cd. Through Vertical plane

Blue = Max Cd. Through Horizontal plane

Warranty

5 year limited warranty