

Imber / Ignis 24 (Corded, Socket)

Installation Instructions

cerno®

General Product Information



This product is suitable for indoor dry and damp locations only.



CAUTION - RISK OF FIRE



This product requires installation by a qualified electrician. Before installing be sure to read all instructions and **TURN POWER OFF TO THE JUNCTION BOX**

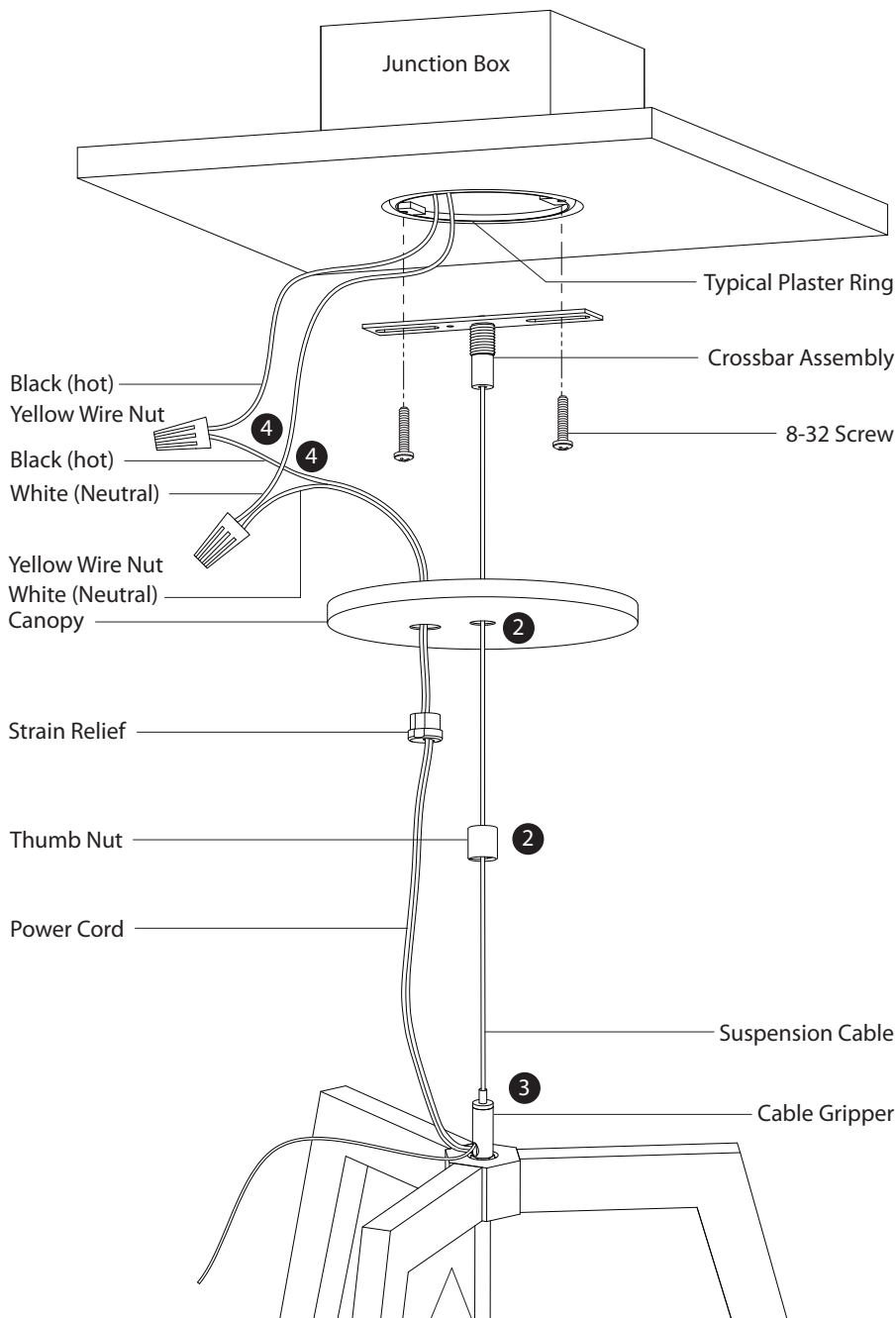
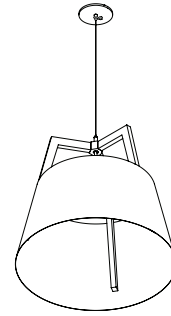


Figure 2

Adjusting the Fixture Height

- 1 Measure the desired height (H) that you want the fixture to hang below the ceiling.
- 2 Thread the suspension cable through the canopy and thumb nut.
- 3 Push the end of this cable into the cable gripper on the top of the fixture, making sure that it exits out of the side hole. Feed the cable through until the cable length matches your desired height (H). Cut excess cable only after you are satisfied with the fixture height.

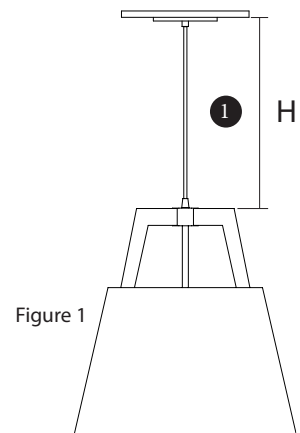


Figure 1

Making Electrical Connections

- 4 Make electrical connections as shown in figure 2 using the supplied wire nuts. Make sure that the clear power cord passes through the off-center hole in the canopy.

WARNING

THE LED DRIVER IS A DC DEVICE AND MUST BE ATTACHED TO THE LED LIGHT ENGINE AS SHOWN. CONNECTING THIS DEVICE INCORRECTLY WILL CAUSE SEVERE DAMAGE.

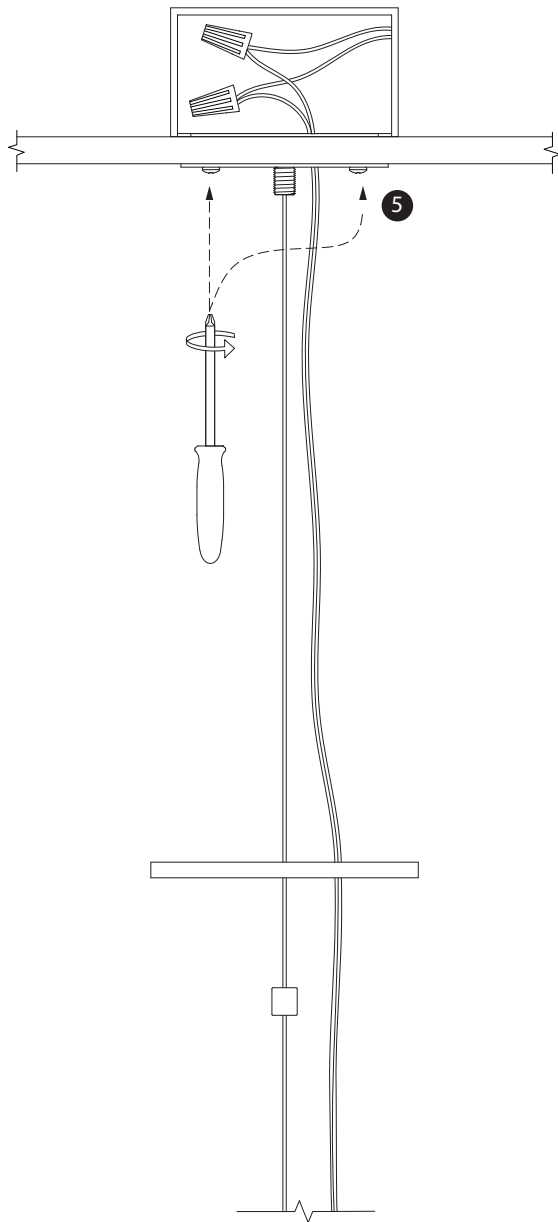


Figure 3

Mounting the Fixture

- 5 Attach the crossbar to the junction box using the supplied 8-32 screws.

Securing the Canopy

- 6 After electrical connections have been made, place wire connections and excess wire into the junction box.
- 7 Slide the canopy up the cable and secure it by screwing the thumb nut onto the crossbar assembly.
- 8 Feed excess clear power cord into J-box. Pinch the black strain relief into the cord with a set of pliers and press into the canopy hole.
- 9 Tie the power cord to suspension cord using the supplied clear cable ties.

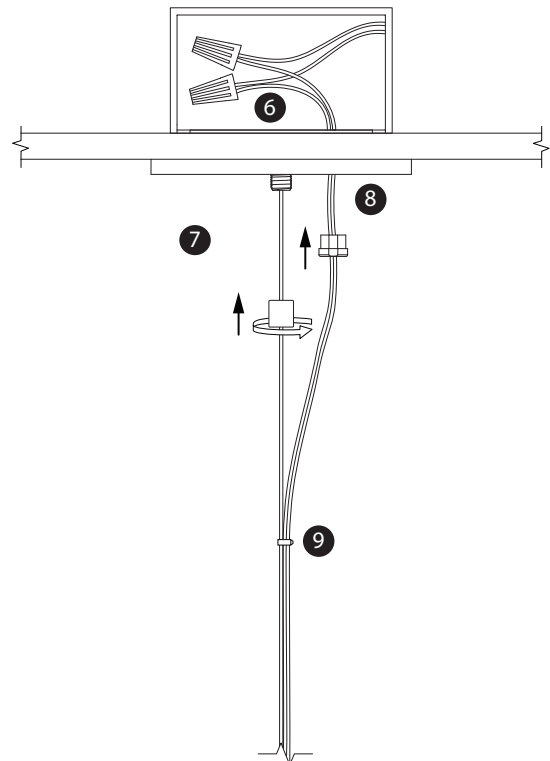


Figure 4