

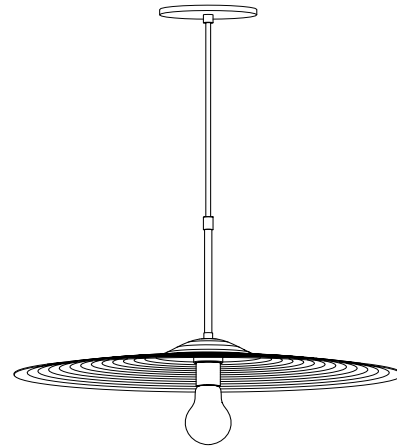
## General Product information



This product is suitable for indoor dry and damp locations only.

**CAUTION - RISK OF FIRE**

This product requires installation by a qualified electrician. Before installing be sure to read all instructions and **TURN POWER OFF TO THE JUNCTION BOX**



## Adjusting the Fixture Height

- 1 Untighten the set screws on the two strain reliefs. Feed the cable through the cymbal, strain relief, canopy nut, the canopy, and the crossbar assembly. Tighten the first strain relief onto the rod and tighten the set screw.
- 2 Measure the desired height (H) that you want the fixture to hang below the ceiling. Once you have reached your desired length, tighten the set screw in the strain relief on the crossbar assembly.

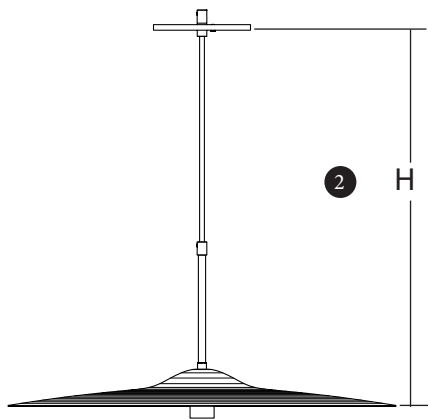


Figure 2

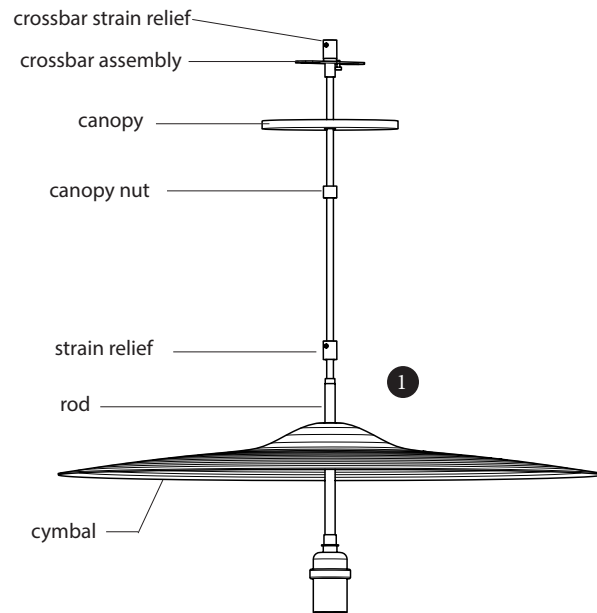


Figure 1

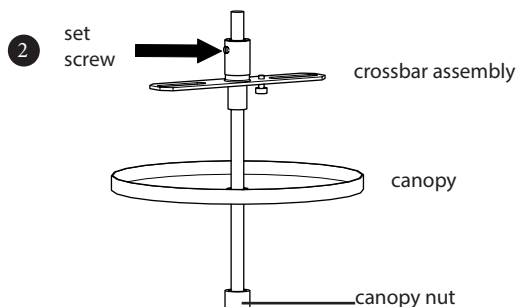


Figure 3

### Making Electrical Connections

- 3 Make electrical connections as shown in figure 4 using the supplied wire nuts. Use the 8-32 screws to fasten the crossbar onto the junction box.

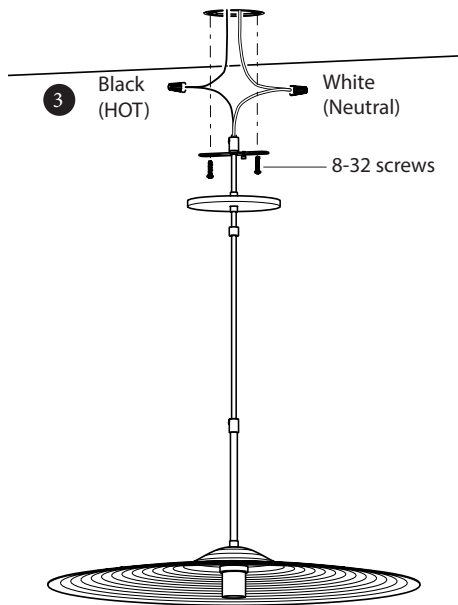


Figure 4

- 4 Push the canopy upwards until flush with the ceiling. Use the canopy nut to secure the canopy.
- 5 Insert light bulb into fixture.

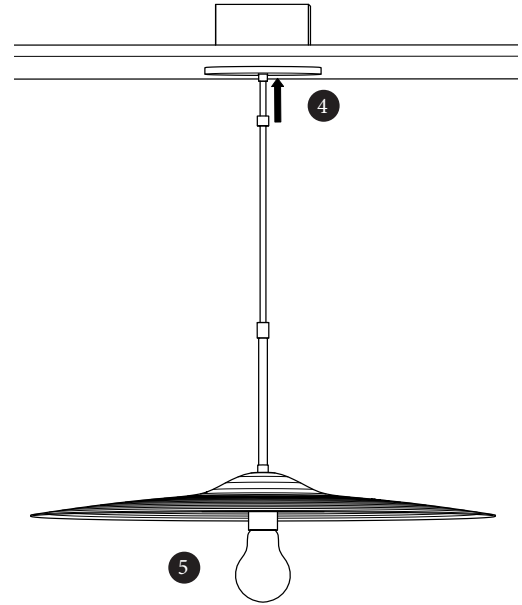


Figure 5