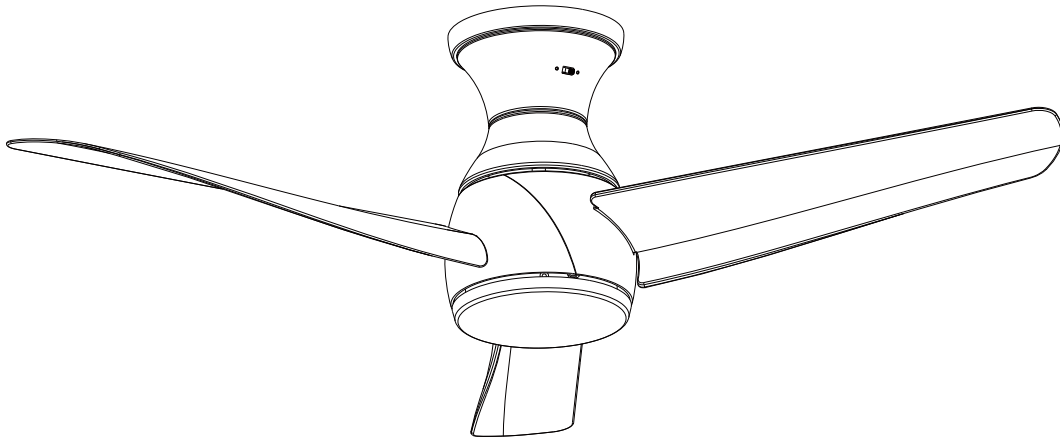


KUZCO

THALIA CEILING FAN INSTRUCTION SHEET



MODEL HF91954



Scan this QR code with your phone to view our step by step installation video or visit <https://kuzcolighting.com/fan-resources>.

TF. 1.855.855.8926 | T. 604 538 7162 | F. 604 538 7196

CANADA: 19054 28th Ave., - Surrey, BC V3Z 6M3

USA: 3035 E. Lone Mountain Rd. - Las Vegas, NV 89081

www.kuzcolighting.com

20230505

SAFETY INFORMATION

1. To reduce the risk of electric shock, ensure electricity has been turned off at the circuit breaker or fuse box before beginning.
2. All wiring must be in accordance with the National Electrical Code and local electrical codes. Electrical installation should be performed by a qualified licensed electrician.
3. **CAUTION:** Read all instructions and safety information before installing your new fan. Review accompanying assembly diagrams.
4. **WARNING:** To reduce the risk of electrical shock and fire, do not use this fan with any solid-state fan speed control device.
5. **WARNING:** To reduce the risk of fire, electric shock, or personal injury, mount to UL Listed outlet box marked "acceptable for fan support of 15.9 kg (35 lbs) or less" and use mounting screws provided with the outlet box. Most outlet boxes commonly used for the support of light fixtures are not acceptable for fan support and may need to be replaced. Due to the complexity of the installation of this fan, a qualified licensed electrician is strongly recommended.
6. **WARNING:** To reduce the risk of fire or electric shock, this fan should only be used with fan speed control part no. MR196W manufactured by Satellite Electronic (Zhongshan) Ltd.
7. The outlet box and support structure must be securely mounted and capable of reliably supporting a minimum of 50 pounds.
8. The fan must be mounted with a minimum of 7 feet clearance from the trailing edge of the blades to the floor. The tip of the fan blade to the nearest wall/obstruction: 30 inches
9. Avoid placing objects in the path of the blades.
10. To avoid personal injury or damage to the fan and other items, be cautious when working around or cleaning the fan.
11. Do not use water or detergents when cleaning the fan or fan blades. A dry dust cloth or lightly dampened cloth will be suitable for most cleaning.
12. After making electrical connections, spliced conductors should be turned upward and pushed carefully up into outlet box. The wires should be spread apart with the grounded conductor and the equipment- grounding conductor on one side of the outlet box.
13. Electrical diagrams are for reference only. Light kits that are not packed with the fan must be UL and cUL Listed and marked suitable for use with the model fan you are installing. Switches must be UL and cUL General Use Switches. Refer to the Instructions packaged with the light kits and switches for proper assembly.
14. **NOTE:** Suitable for use in damp locations. Use only with light kits marked "Suitable for use in damp locations."
15. Do not operate reversing switch while fan blades are in motion. Fan must be turned off and blades stopped before reversing blade direction.

WARNING: TO REDUCE THE RISK OF ELECTRIC SHOCK, THIS FAN MUST BE INSTALLED WITH AN ISOLATING WALL SWITCH.

WARNING: TO REDUCE THE RISK OF PERSONAL INJURY, DO NOT BEND THE BLADE ARMS (ALSO REFERRED TO AS FLANGES), WHEN INSTALLING THE BRACKETS, BALANCING THE BLADES OR CLEANING THE FAN.

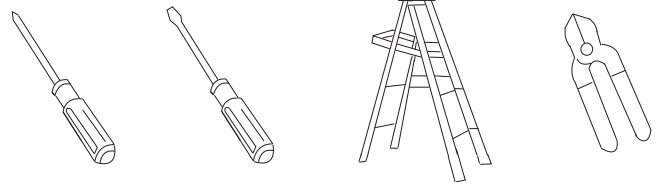
READ AND SAVE THESE INSTRUCTIONS.

PACKAGE CONTENTS

- Safety
- Tools Needed
- Package Contents
- Hardware Included
- Fan Assembly
- Electrical Connections
- Fan Blade Installation
- Light Kit Installation
- Fan Operation
- Care and Cleaning
- Troubleshooting
- Warranty Information

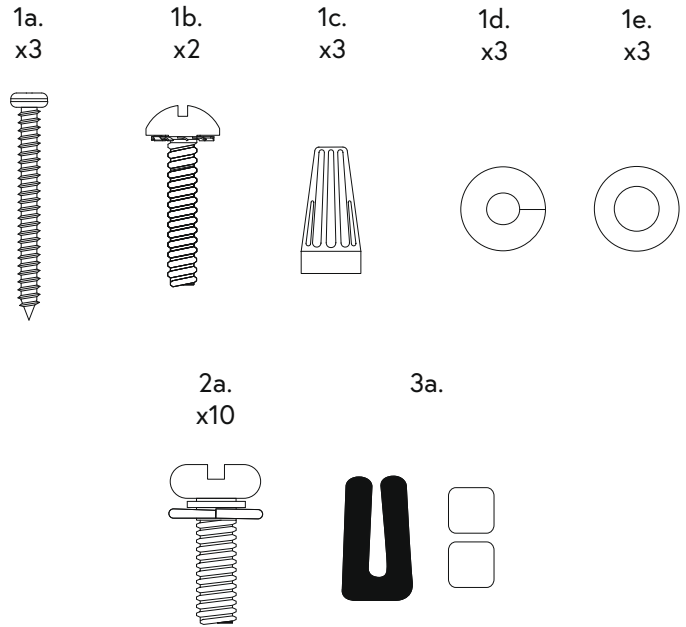
TOOLS NEEDED

- Phillips screwdriver
- Flathead screwdriver
- Step ladder
- Wire cutter

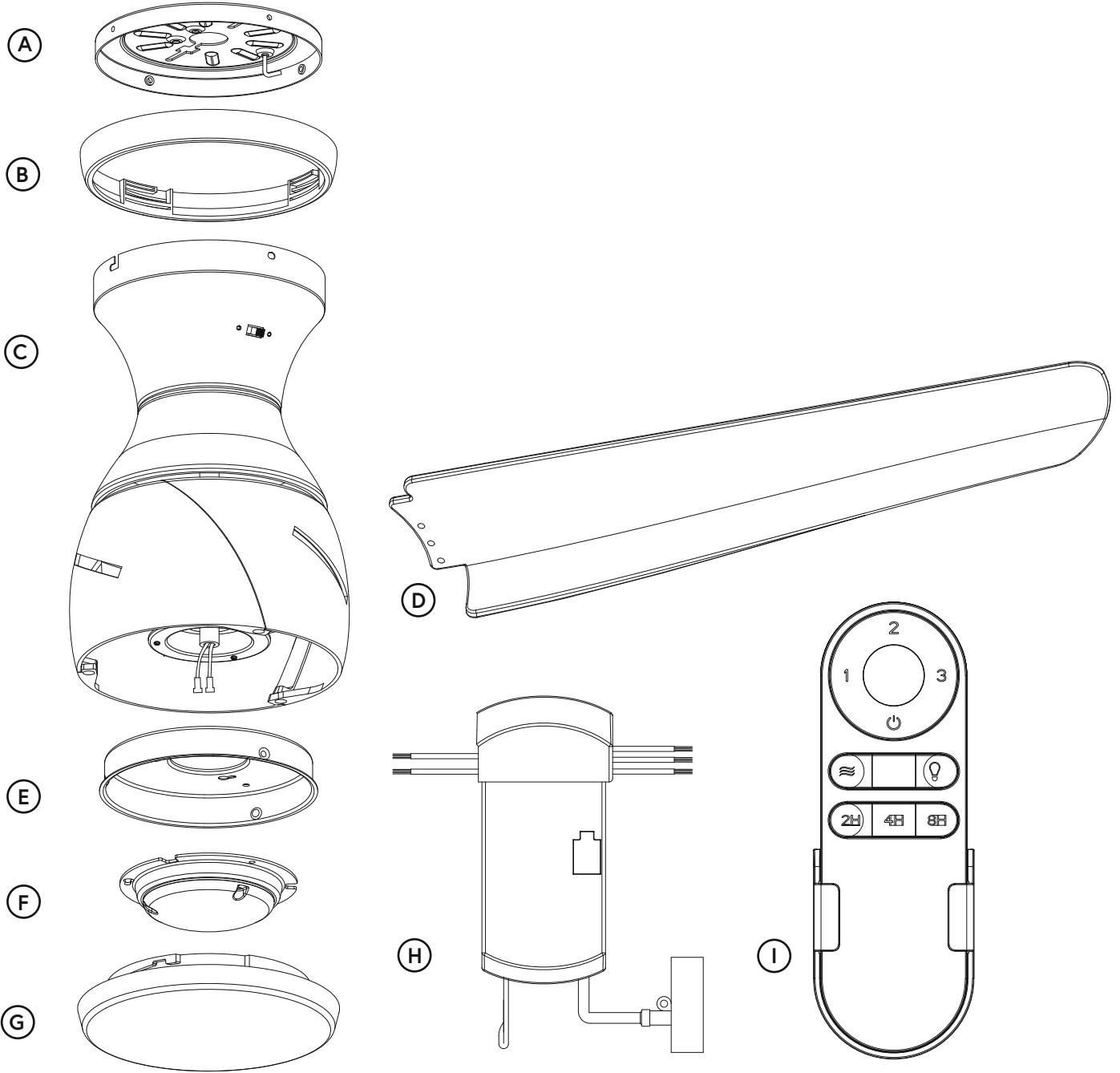


HARDWARE INCLUDED

- Bracket Mounting Hardware
 - wood screws **(1a)**
 - screws **(1b)**
 - wire nuts **(1c)**
 - lock washers **(1d)**
 - flat washers **(1e)**
- Blade to Motor Screws and Lock Washers **(2a)**
- Balance Kit **(3a)**



PACKAGE CONTENTS



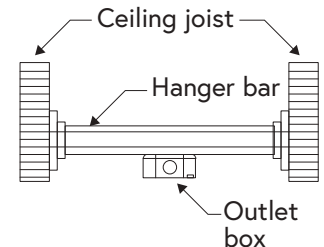
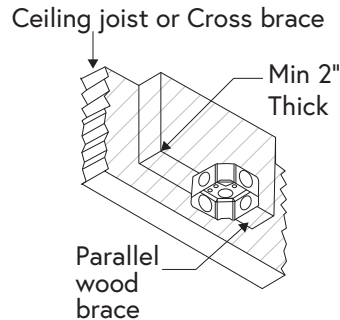
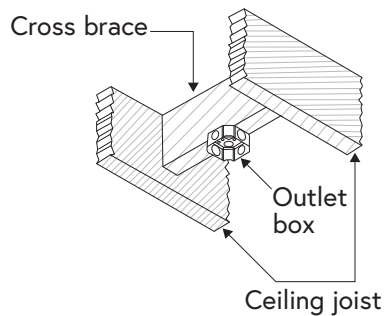
Part	Description	Quantity
A	Mounting bracket	1
B	Canopy ring	1
C	Fan motor	1
D	Blade	3
E	Light kit pan	1
F	LED Light kit assembly	1
G	Glass shade	1
H	Receiver	1
I	Remote control	1

PREPARING THE MOUNTING HARDWARE

Outlet Box Mounting Options

If there isn't an existing UL Listed octagonal mounting box marked "Acceptable for Fan Support" follow the instructions below. (**REMINDER:** an electrical junction box for use with luminaires is not acceptable for this application)

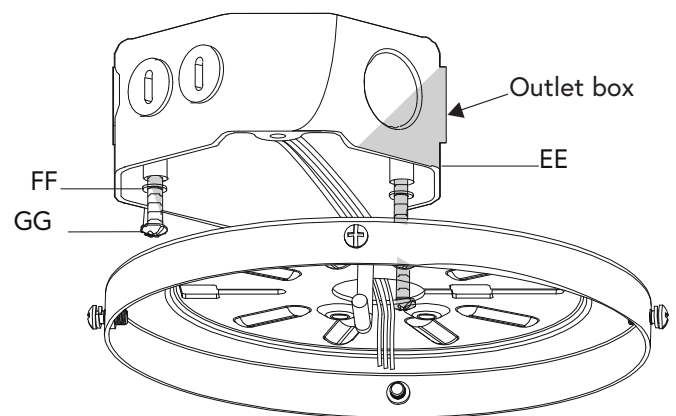
- Before you begin installing the mounting box, shut off the power at the circuit breaker of the fuse box.
- Secure the box directly to the building structure. The figures below show 3 example methods.



ATTACHING THE MOUNTING PLATE TO THE ELECTRICAL BOX

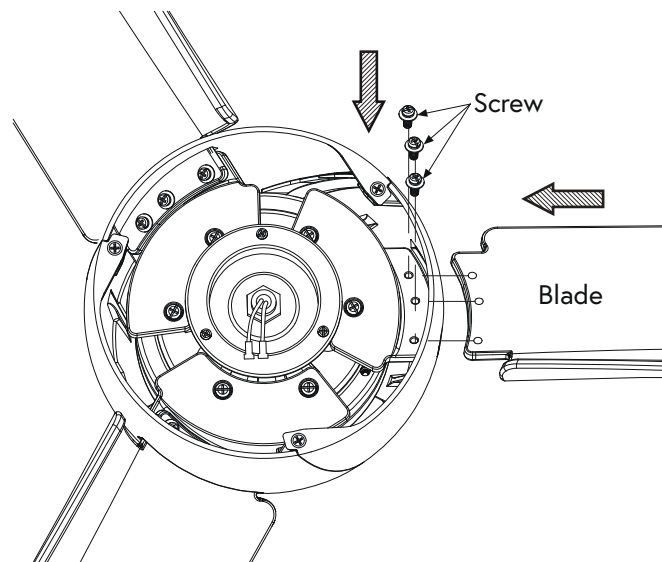
CAUTION: TO AVOID POSSIBLE ELECTRICAL SHOCK, BE SURE ELECTRICITY IS TURNED OFF AT THE MAIN POWER BOX BEFORE WIRING. ALL WIRING MUST BE IN ACCORDANCE WITH NATIONAL AND LOCAL ELECTRICAL CODES AND THE CEILING FAN MUST BE GROUNDED AS A PRECAUTION AGAINST POSSIBLE ELECTRIC SHOCK.

1. Turn the power off.
2. Loosen the two mounting screws (GG) supplied with the outlet box, but do not remove the screws.
3. Securely attach the mounting plate to the outlet box by sliding the mounting plate over the two mounting screws (GG) supplied with the outlet box.
4. Pull the 120-volt supply wires (the black, white and ground wires) out of the outlet box and through the hole in the mounting plate and lay them to the side.



INSTALLING THE BLADES

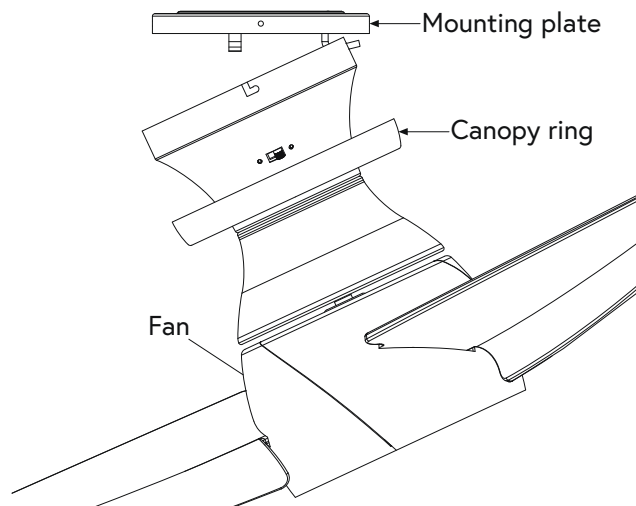
1. Insert the blade through the slot cut-off in the center flywheel, align the three screw holes in the blade with the screw holes in the flywheel and secure with the screws and lockwasher provided.
2. Repeat for the remaining blades.



HANGING THE FAN MOTOR ASSEMBLY

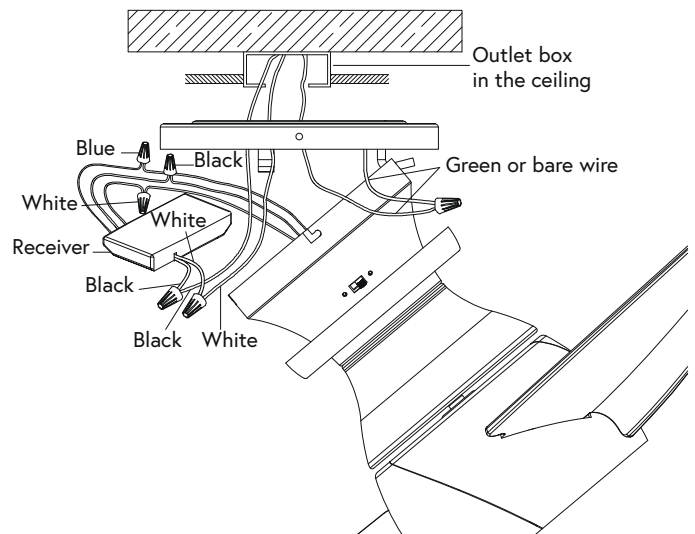
WARNING: The tab in the ring must rest in the groove of the hanger ball/downrod assembly. Failure to properly seat the tab in the groove could cause damage to the wiring.

1. Attach the canopy ring to the fan motor assembly from the opening of the motor housing. Make sure the slots of trim ring are on top.
2. Carefully lift the fan-motor assembly and hang the fan motor assembly on the hook of the mounting plate by utilizing one of the holes at the outer rim of the motor housing so that it is securely suspended. Then connect the wiring to your fan according to "Making the Electrical Connections"



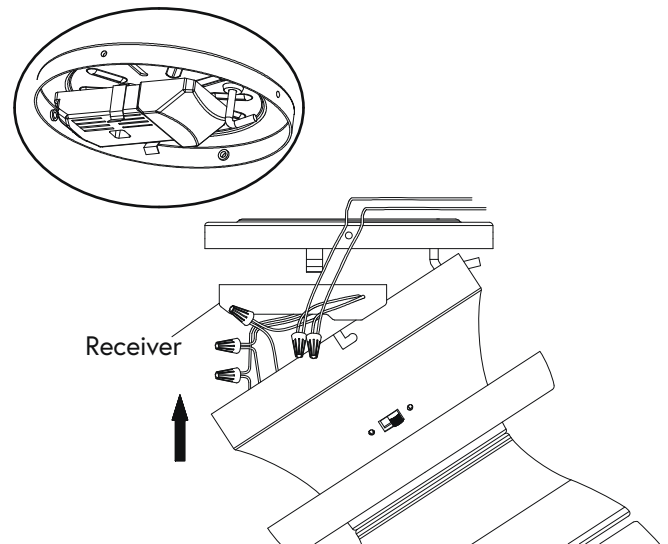
MAKING THE ELECTRICAL CONNECTIONS

1. Spread the wires apart so that the green and whites are on one side of the outlet box and the black wire is on the other side.
2. Connect the green fan wires to the household ground wire (this may be a green or bare wire) using a wire connecting nut .
3. Connect the receiver black wire to the household black wire using a wire connecting nut .
4. Connect the receiver white wire to the household white (neutral) wire using a wire connecting nut .
5. Secure each wire connecting nut using electrical tape.
6. Wire the receiver to the fan wires by connecting the molded adaptor plug from receiver with molded adaptor of the fan motor assembly together.



INSTALLING THE RECEIVER

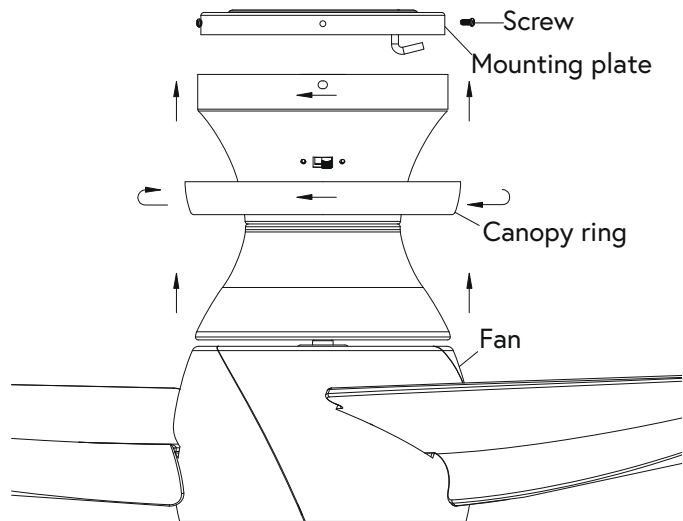
1. Position the house supply wires to one side of the slide-on mounting bracket; position the fan wires to the opposite side.
2. Insert the receiver (as shown, flat side toward ceiling) into the slide-on mounting bracket until it rests on top of the mounting bracket.



INSTALLING THE FAN MOTOR ASSEMBLY

NOTE: Adjust the canopy mounting screws as necessary until the canopy and canopy screw cover are snug.

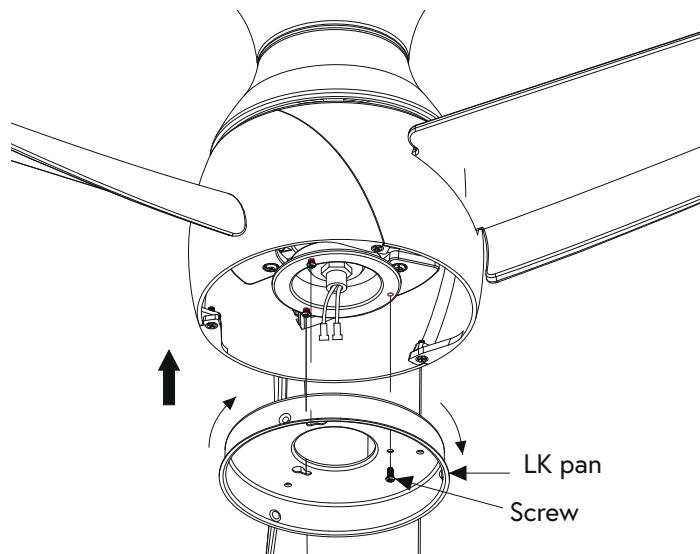
1. Remove two of the four screws (located diagonally from each other) from the top of the mounting plate and loosen the other two screws.
2. Align the two key slots in the top of the fan motor assembly with the two loosened screws on the mounting plate. Push the fan motor assembly up and turn it to lock in the mounting plate. Tighten the two screws.
3. Install the two screws that were removed at the beginning of this step into the remaining two holes and tighten the four screws firmly.
4. Slide the canopy up to the mounting bracket and place the key hole on the canopy over the loose canopy mounting screw on the mounting bracket. Turn the canopy until the canopy locks in place at the narrow section of the key holes.
5. Align the circular hole on the canopy with the remaining hole on the mounting bracket. Secure by tightening two canopy mounting screws.



INSTALLING THE LIGHT KIT PAN

CAUTION: To reduce the risk of electrical shock, disconnect the electrical supply circuit to the fan before installing the light kit.

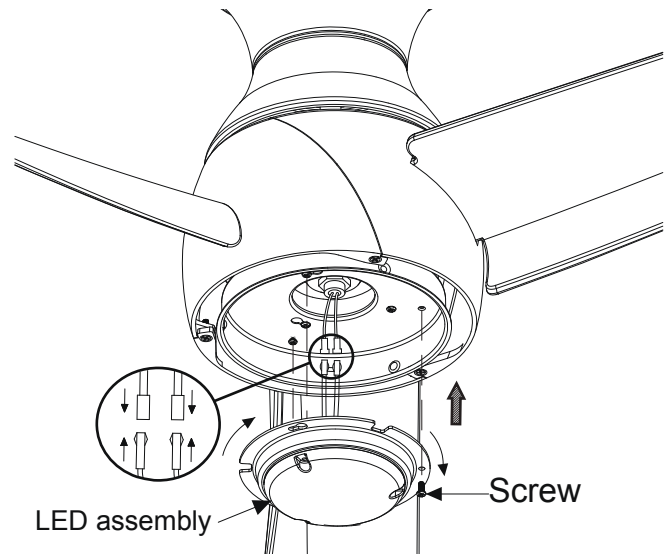
1. Loosen but do not remove two of three mounting screws from the fan motor assembly; Remove one mounting screw.
2. Push the light kit pan up to the fan motor assembly so that the two loosened screw heads fit into the keyhole slots. Turn the light kit pan, tighten the screws.
3. Re-install the screw that was removed in step 1 and tighten firmly.



INSTALLING THE LED ASSEMBLY

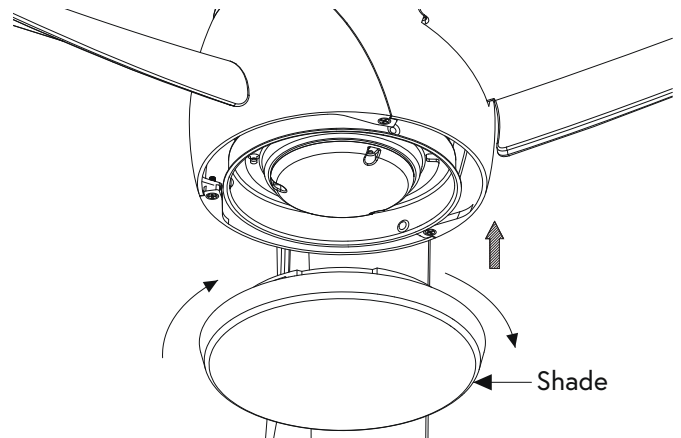
CAUTION: To reduce the risk of electrical shock, disconnect the electrical supply circuit to the fan before installing the light kit.

1. Remove one screw from the light kit pan and loosen, but do not remove, the other two screws.
2. Connect the wires from the light kit fitter assembly to the wires from the fan motor assembly by connecting the molded adaptor plugs together. Carefully tuck all wires and splices into the switch cap.
3. Push the light kit assembly up so that the two loosened screw heads fit into the keyhole slots.
4. Turn the light kit assembly, tighten the screws. Reinstall the screw that was removed in step 1 and tighten firmly.



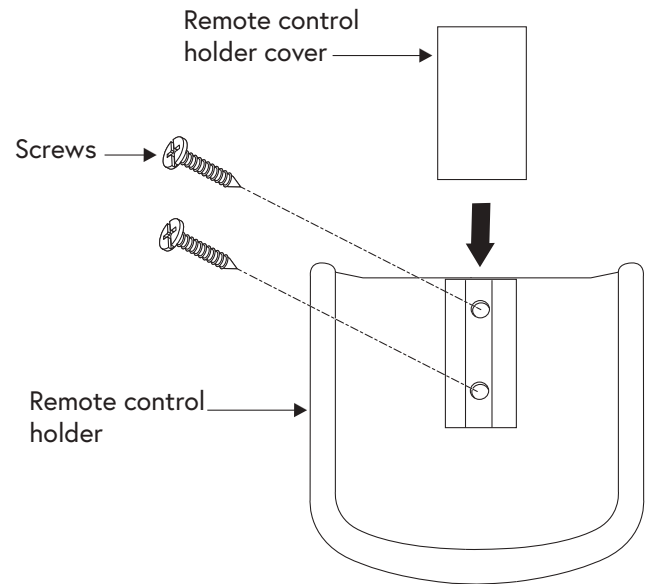
INSTALLING THE GLASS SHADE

1. Place the glass shade into the light kit pan, aligning the three flat areas on the top of the glass shade with the three raised dimples in the light kit pan. Turn the glass shade until it stops.



INSTALLING THE REMOTE CONTROL HOLDER

1. Remove the remote control holder cover from the remote control holder.
2. Attach the remote control holder with the two remote control holder mounting screw provided.
3. Replace the remote control holder cover into remote control holder.



OPERATION

IMPORTANT: If you have two or more fans, please follow steps below to control each fan independently. Also follow steps below to re-pair the remote and the receiver when needed.

Install battery (included). To prevent damage to transmitter, remove the battery if not used for long periods of time.

1. 1, 2 and 3 buttons:

These three buttons are used to set the fan speed as follows:

- 1 = minimum speed
- 2 = medium speed
- 3 = high speed

2.  button:

This button turns the fan off.

3.  button:

This button turns on "breeze" option.

4.  button:

This button controls the light "ON/OFF" and "Dimmable" options.

5. 2H, 4h and 8H buttons:

These three buttons are used to set the fan timer as follows:

- 2H = 2 hour timer
- 4H = 4 hour timer
- 8H = 8 hour timer

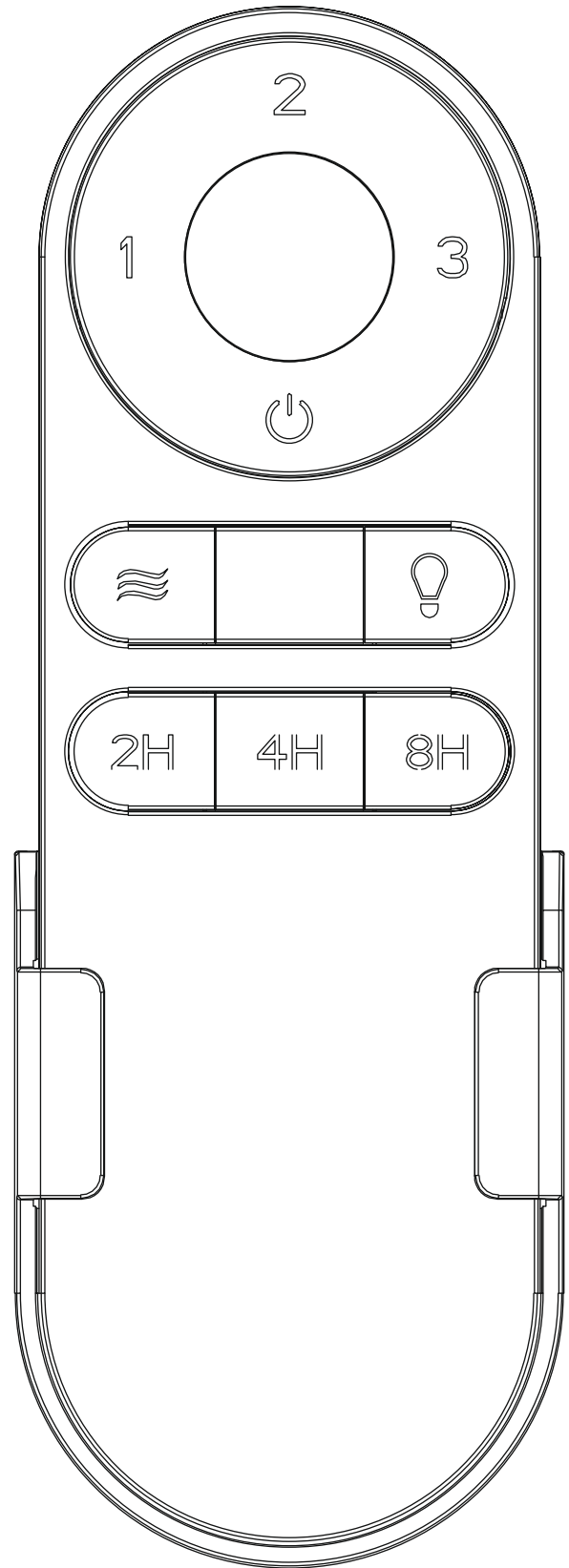
SET code setting button:

Follow the below steps to set the remote control:

- With the fan's power off, press and release the "Learn" button located in the remote's battery compartment within 30 seconds of turning the electrical power to the fan on.

If pairing is successful, the fan's light kit will flash, the blades will begin to spin and the fan and light kit will turn off within 30 seconds.

NOTE: If the self calibration test failed, turn the AC power off; restore power and process the self calibration test again.



OPERATION (continued)

NOTE: The learning frequency function and self calibration test will continue to retain the last set frequency and calibration set even when the AC power is shut off. If the frequency is changed the self calibration test will occur again.

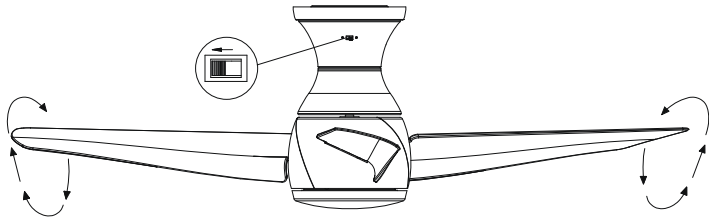
Summer Mode and Winter Mode Operation

The fan shipped from the factory with the reversing switch positioned to circulate air downward. If airflow is desired in the opposite direction, turn your fan off and wait for the blades to stop turning, then slide the reversing switch (located at the top of the motor housing, refer to page 7) to opposite position, and turn fan on again. The fan blades will turn in the opposite direction and reverse airflow.

Speed settings for warm or cold weather depend on factors such as room size, ceiling height and number of fans.

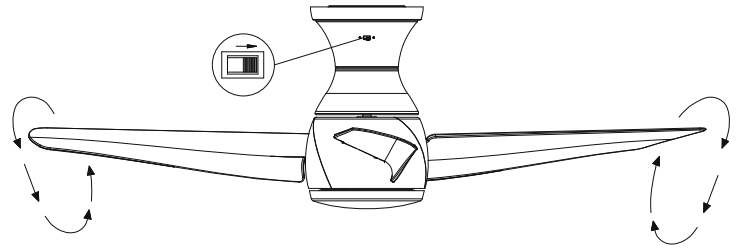
Summer Mode (forward):

A DOWNWARD airflow creates a cooling effect. This allows you to set your air conditioner on a warmer setting without affecting your comfort.



Winter Mode (reverse):

A UPWARD airflow moves warmer air off the ceiling area. This allows you to set your heating unit on a cooler setting without affecting your comfort.



OPERATING CEILING FAN WITH THE BOND APP

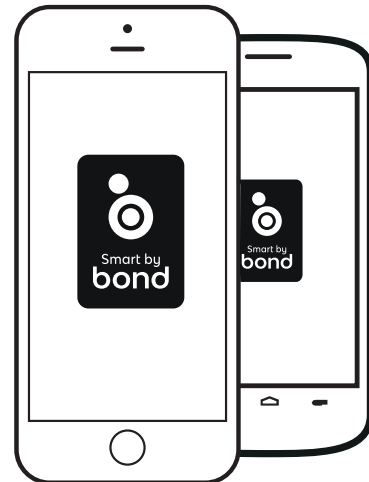
1. Download the BOND HOME app

- Using your smart device, navigate to the application store (Apple App Store or Google Play). Download the free BOND Home app and create an account.

2. Connect to the BOND receiver

NOTE: Confirm that your smart device (phone/tablet) is connected to your WiFi network before proceeding.

- Ensure the fan and receiver are receiving power from the house supply by using the remote control to turn the fan and light on and off.
- Open the BOND Home app on your smart device and follow the instructions included in the app to add your fan.



CARE AND CLEANING

- Periodically it may be necessary to re-tighten blade to blade arm screws or blade arm to motor screws to prevent clicking or humming sound during operation. This is especially true in climates with broad temperature and humidity ranges.
- When dusting the blades, you must support the blade to prevent bending - no pressure should be applied to the blades. If you experience any flaws in the operation of your fan, please check the following points.

TROUBLESHOOTING

PROBLEM	SOLUTION
FAN WILL NOT START	<ol style="list-style-type: none">1. Check circuit fuses or breakers.2. Check wall control LED indicator light. If LED is not illuminated when pushing a button, it is not transmitting a signal. Please check battery, power to wall control/circuit breaker and all electrical connections.3. Assure there are no more than 2 fans operating on a circuit through the wall control. Assure that there are no more than 12 fans operating on a circuit through an on/off wall switch or a breaker (not through a wall control).4. Assure that the fan is within range of the wall control (30 ft.).
FAN SOUNDS NOISY	<ol style="list-style-type: none">1. Allow a 24-hour "breaking-in" period. Most noise associated with a new fan will disappear during this time.2. Make sure all motor housing screws are securely fastened.3. Make sure the screws that attach the fan blade to the fan are tight.4. Make sure your ceiling box is secure and rubber isolator pads are used between the mounting bracket and outlet box.
FAN WOBBLER	<ol style="list-style-type: none">1. Check that all blade to motor and blade arm screws are secure.2. If the blade wobble is still noticeable, interchanging two adjacent (side by side) blades can redistribute the weight and possibly result in smoother operation.3. Make sure the mounting plate is securely fastened to the ceiling outlet box.4. Make sure ceiling box is secure.

KUZCO GROUP CEILING FAN LIFETIME LIMITED WARRANTY

Kuzco Group products are warranted against defects in materials and construction, subject to conditions and exclusions, for a period of one (1) year from the date of product shipment to the customer. Kuzco Group warrants the original owner that the motor in the fan will be free from defects for the lifetime of the fan. This warranty does not apply to fans which have been damaged because of improper installation, removed from the original installation or subjected to use for which the fan was not designed. The customer is responsible for any cost of removing the old fan, installing a new fan or any other costs. This limited lifetime warranty is in lieu of all other expressed warranties. Kuzco Group shall not be liable for any incidental or consequential damages.

Below is a detailed list of items warranted:

PART	RESIDENTIAL USE	COMMERCIAL/HOSPITALITY USE
Motor	Lifetime	Lifetime
Integrated LED Components	1 year	1 year
LED Bulbs	1 year	1 year
Blades, Controls, Switches, Capacitors, Hardware	1 year	1 year

What is covered?

- Parts that arrive damaged
- Parts missing from the box
- Parts that do not function properly
- Parts that have ceased proper functioning within warranty limits

What is not covered?

- Installation costs
- Parts worn down with regular usage
- Parts damaged in installation
- Modified parts
- Parts out of warranty

WARRANTY APPLIES ONLY TO ORIGINAL PURCHASER FROM AN AUTHORIZED KUZCO GROUP DISTRIBUTOR.

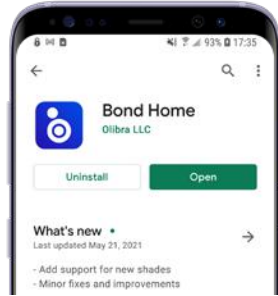


How to

Activate your Smart Fan on a Android device

Step 1

Using your smart device, scan the QR code below to go to the application Store to download the free Bond Home app.



Step 2

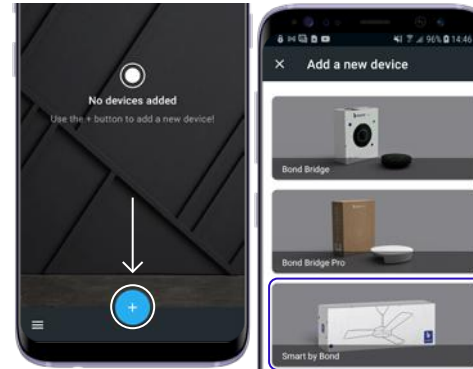
Check that your fan and receiver are securely connected to the house supply: Using your fan's remote control, turn the fan and the light on and off.

Step 3

Open the Bond Home App on your mobile device and follow the step-by-step instructions in the app to add your ceiling fan.

- Create an account or login to your existing account.
- You will be prompted to allow permissions to the Bond Home App. These permissions are needed to set up new devices.

- Select "+" to add a new device
In the bottom
- Select the "Smart by Bond" ceiling fan option.

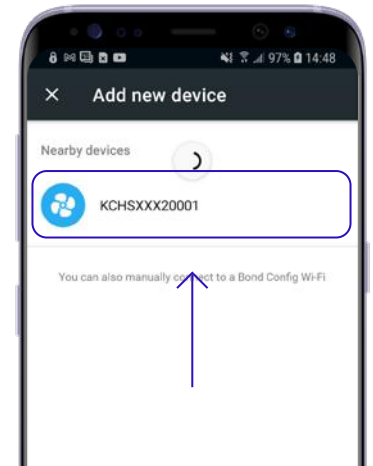


Step 4

Follow the prompt to go to your device's settings and connect to the Bond Config Wi-Fi network.

If you do not see the Bond Config Wi-Fi network listed, press and hold the power button on your ceiling fan's remote control for 10 seconds. Additionally, you can try refreshing your Wi-Fi list.

Go back to the Bond Home app.

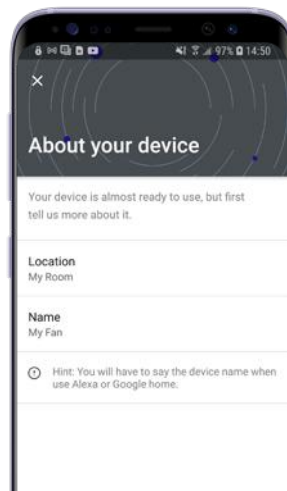


Step 7

Name your ceiling fan:

- Choose a location from the predefined list or add your own location.
- Choose a device name.

This name will be used for integrations and voice commands, so we recommend choosing a simple and descriptive name.

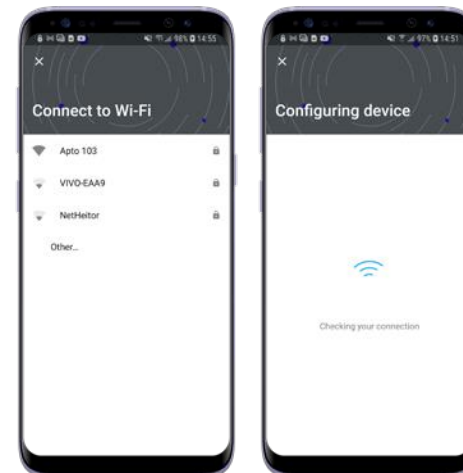


Step 8

Connect to Wi-Fi:

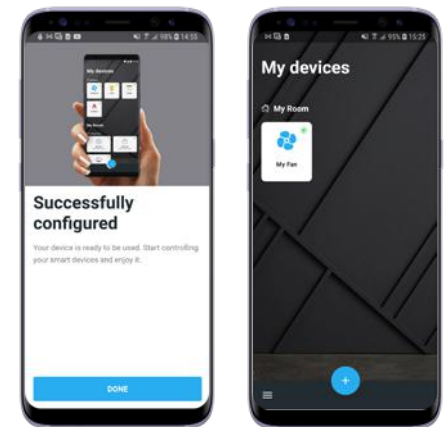
- Select your desired Wi-Fi network and enter password if necessary.
- Once the connection is made, select DONE.

If your fan does not appear, try swiping down to refresh.



Step 9

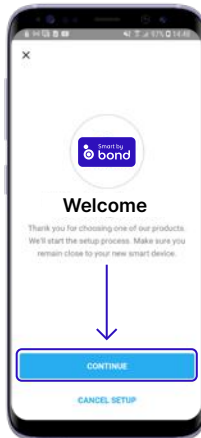
Setup complete! Your fan should appear in the app. Sit back, relax, and enjoy your new ceiling fan!



If you need assistance at any time during the setup process, please visit the Help section of the Bond Home App, located in Settings. Select from either "Open a Ticket" or "Live Chat" to connect with a member of the Bond Support Team.

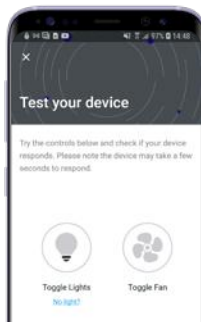
Step 5

A confirmation will appear on-screen to let you know that your ceiling fan has been successfully connected to the Bond Home App. Click CONTINUE to proceed with setting up your ceiling fan.



Step 6

Test your ceiling fan according to the app's prompts to toggle the fan and lights.





How to

Activate your Smart Fan on a iOS device

Step 1

Using your smart device, scan the QR code below to go to the application Store to download the free Bond Home app.



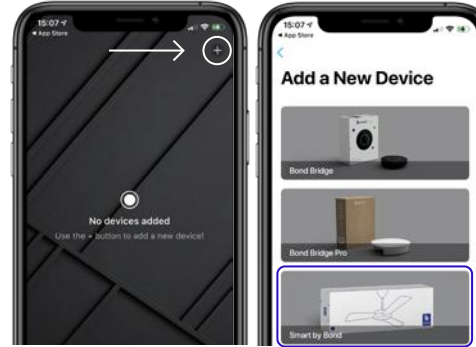
Step 2

Check that your fan and receiver are securely connected to the house supply: Using your fan's remote control, turn the fan and the light on and off.

Step 3

Open the Bond Home App on your mobile device and follow the step-by-step instructions in the app to add your ceiling fan.

- Create an account or login to your existing account.
- You will be prompted to allow permissions to the Bond Home App. These permissions are needed to set up new devices.
- Select "+" to add a new device
In the top-right corner
- Select the "Smart by Bond" ceiling fan option.



Step 4

Follow the prompt to go to your device's settings and connect to the Bond Config Wi-Fi network.

If you do not see the Bond Config Wi-Fi network listed, press and hold the power button on your ceiling fan's remote control for 10 seconds. Additionally, you can try refreshing your Wi-Fi list.

Go back to the Bond Home app.



Step 5

Name your ceiling fan:

- Choose a location from the predefined list or add your own location.
- Choose a device name.

This name will be used for integrations and voice commands, so we recommend choosing a simple and descriptive name.

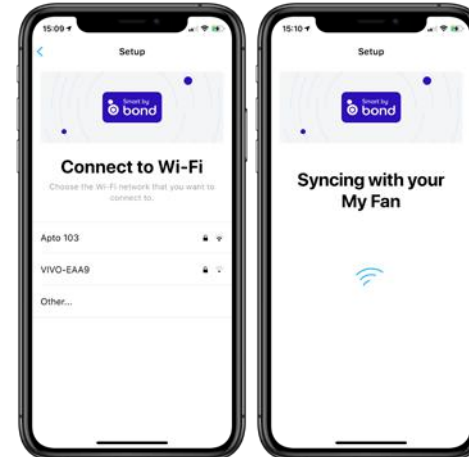


Step 8

Connect to Wi-Fi:

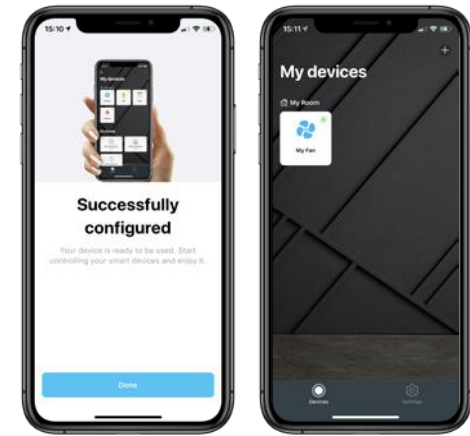
- Select your desired Wi-Fi network and enter password if necessary.
- Once the connection is made, select DONE.

If your fan does not appear, try swiping down to refresh.



Step 9

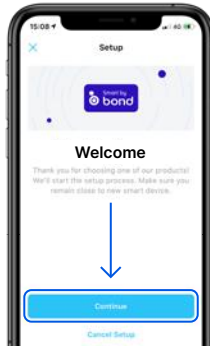
Setup complete! Your fan should appear in the app. Sit back, relax, and enjoy your new ceiling fan!



If you need assistance at any time during the setup process, please visit the Help section of the Bond Home App, located in Settings. Select from either "Open a Ticket" or "Live Chat" to connect with a member of the Bond Support Team.

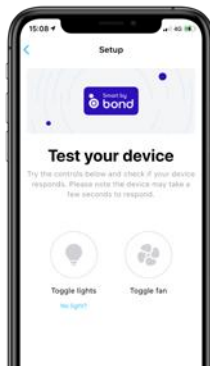
Step 6

A confirmation will appear on-screen to let you know that your ceiling fan has been successfully connected to the Bond Home App. Click CONTINUE to proceed with setting up your ceiling fan.



Step 7

Test your ceiling fan according to the app's prompts to toggle the fan and lights.



Troubleshooting



To perform a Factory Reset:

The Factory Reset will erase all fan settings, schedules, and disconnect from your Wi-Fi network. However, the fan will remain paired with the remote control.

1. Turn off the breaker or wall switch.
2. Turn the breaker/switch back on.
3. Immediately press and hold the Fan Speed 1 button on your ceiling fan's remote control for 20 seconds, or until the ceiling fan light flashes five times. (Note: You must start holding the button within 15 seconds of turning the breaker or wall switch back on.)

Bond Config network does not show up in my WiFi list

If your fan is already connected to WiFi, the Bond Config network will disappear. To cause it to reappear, hold down the Power button on the remote control for 10 seconds and refresh your WiFi network list on your phone or tablet.