

) david
trubridge



Photo: Patrick Reynolds

FLUX



Flax



Flax Pendant is based on the long slender leaves of the indigenous flax plant or harakeke in Maori that has long been grown for its valuable fibre. There is a Maori proverb about preserving important resources: If you cut the central stalk of the flax bush, where will the bellbird feed?

Flax comes in 2 sizes; 800mm and 1500mm. The plywood finish can be all natural or painted creating a wide range of colour options. The shallow form lends itself to lower ceiling spaces.



Features

Shipped Kitset

Seed System kitset lightshades are on average 1/30th of the volume of the assembled light. This aims to help minimize the effects of shipping and to reduce the design's environmental footprint.

Compliance

CE

AS/NZS

(Declarations of conformity available on request).

Care Instructions

All wooden and/or polycarbonate lights are intended for use in dry interior conditions only and can be cleaned with a soft cloth dampened slightly in warm soapy water when the light is switched off. Do not use detergents.

Light sizes

David Trubridge kitset lightshades come in various sizes, making it easy to find the right size to any interior space whether it's small or large.

EPD Certified

An EPD is a standardised and verified way of quantifying the environmental impacts of a product, based on a consistent set of rules that have been developed through a stakeholder consultation process.

Warranty

This light is warranted for three years from date of purchase for failure of parts.



THE INTERNATIONAL EPD® SYSTEM

Technical Data



800mm/31"

1500mm/59"

| | 800mm/31" | 1500mm/59" | |
|------------|---|---|--|
| Dimensions | Width: 800mm / 31" Height: 220mm / 9" Weight: 1.5kg / 3.30lb | Width: 1500mm / 59" Height: 325mm / 13" Weight: 7kg / 15.4lb | |
| Cordset* | 2m / 6.5ft | 5m / 16.4ft | |
| Material | Bamboo plywood (Sourced from FSC accredited factory) | Bamboo plywood (Sourced from FSC accredited factory) | |
| Fasteners | Nylon | Nylon | |
| Suspension | Hangs on cord | 3 x Suspension Wires | |
| Packaging | 395mm x 335mm x 105mm 16" x 13" x 4" 0.014m ³ / 0.5ft ³ 2.1kg / 4.63lb | 750mm x 590mm x 205mm 30" x 23" x 8" 0.091m ³ / 3.2ft ³ 9.5kg / 20.943lb | |

*Black comes with black cordset and fasteners. All others come with white cordset and clear fasteners. Custom lengths available on request.

You will need

Fixings for cone gripper (fixing screws NOT SUPPLIED).

Note: Choose appropriate hardware to attach base plate (Fig.1) to ceiling substrate.

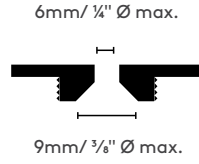
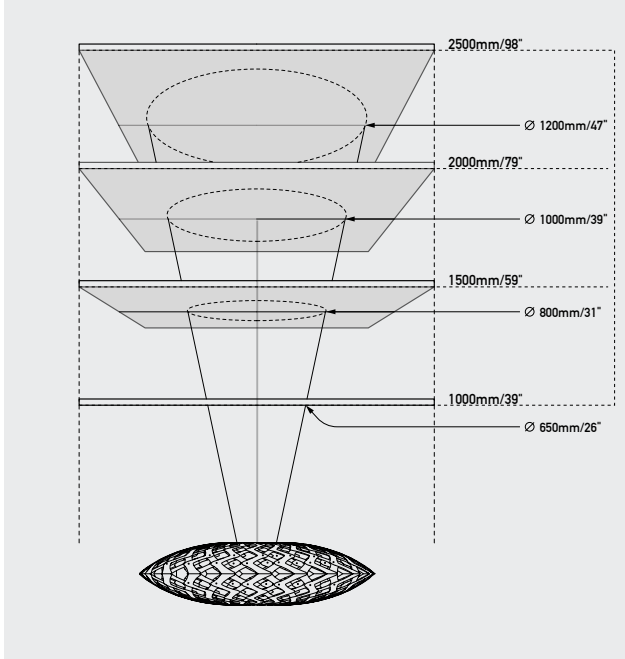


Fig 1. Base Plate

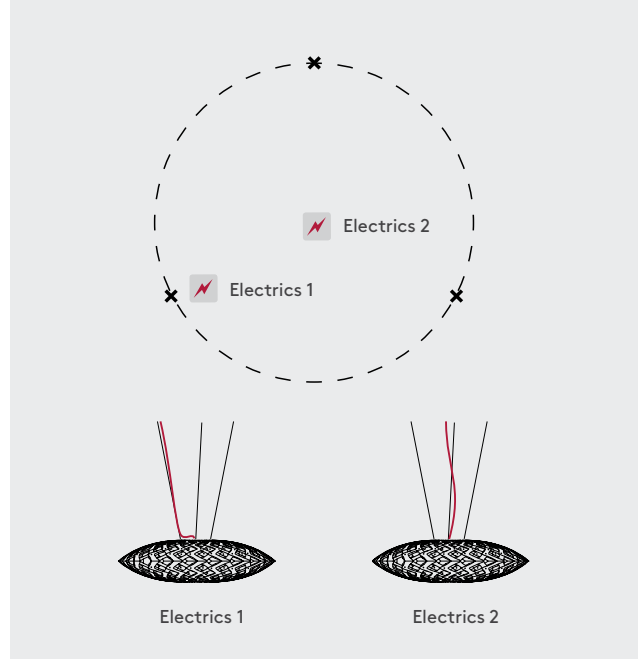
Installation 1500mm/59"



Step 1.

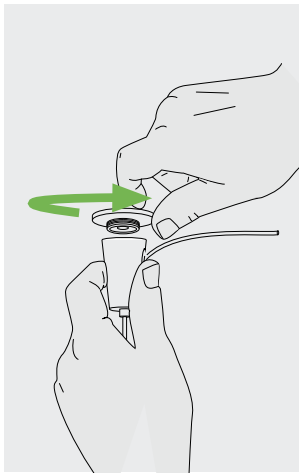
Decide upon hanging distance. Use the schematic diagram as a guide to pick a circle radius to be marked out on ceiling. This circle can be marked with a length of timber or string.

Options



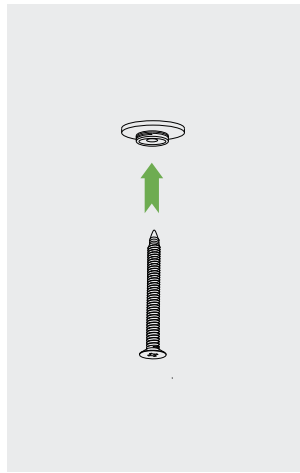
Step 2.

Mark 3 hanging points where your cone grippers will be located. You can either centrally locate the ceiling canopy or run the electric cord up one of the suspension wires.



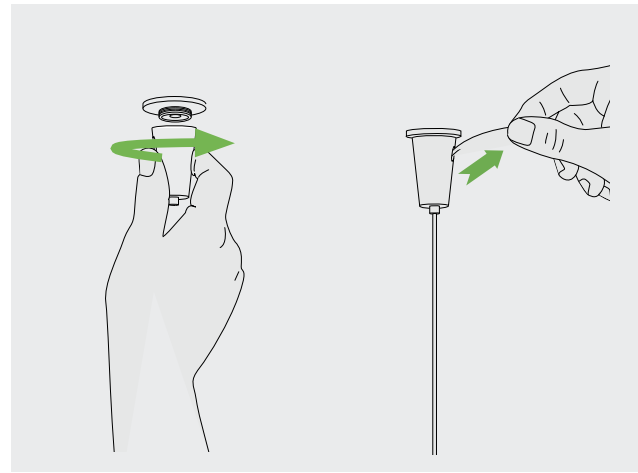
Step 3.

Unscrew baseplate.



Step 4.

Use appropriate fixing screw to mount base plate (Fig.1).

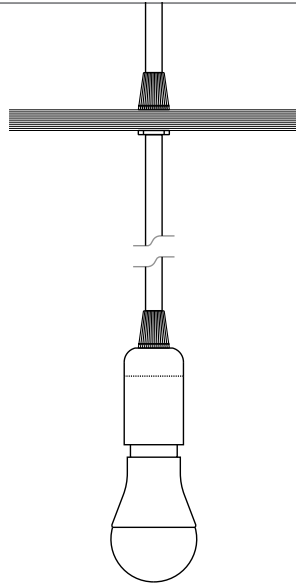


Step 5.

Remove cable from cone. Screw cone back onto baseplate. Re-insert cable and level light. Once desired position is set, trim excess cable.

Diagrams

800mm / 31"



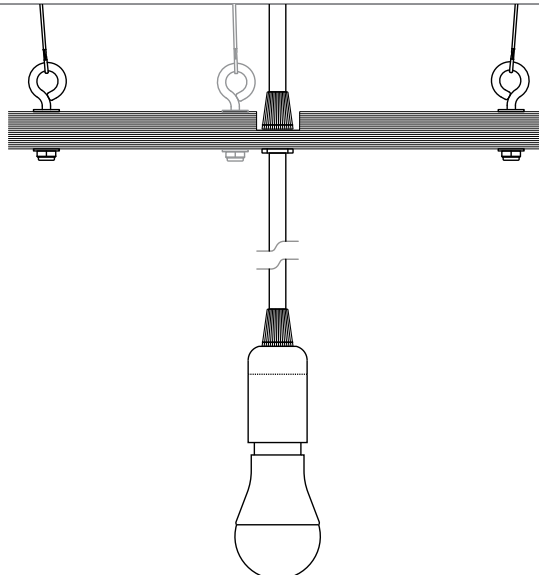
North America: E26, Max 60 Watts

120v AC 60hz

Rest of World: E27, Max 60 Watts

230-240v AC 50hz

1500mm/59"



North America: E26, Max 60 Watts

120v AC 60hz

Rest of World: E27, Max 60 Watts

230-240v AC 50hz

david trubridge Pendant Series

This luminaire is compatible with bulbs of the energy classes:

A vertical energy efficiency scale with five levels: A+++ (green), A++ (light green), A+ (yellow-green), A (yellow), and E (red). A blue bracket on the right side of the scale encompasses the A+++ through A levels. A small light bulb icon is positioned to the right of the bracket.

874/2012

Finish Choices



Natural

All bamboo (our primary material) is secondary product, from renewable forests in China grown as a food source. We have visited these plantations and are satisfied with the quality of their systems.



Caramel

Caramel bamboo starts out as natural and is carbonised using steam to caramelise the natural sugars which darken the bamboo. This process creates a different look without using chemicals.



Painted Lights

We use an acrylic low VOC (volatile organic compound) paint that is made in New Zealand. Colour swatches are available in all retailers. See the Resene website for more info. www.resene.co.nz



Natural



Caramel



Aqua



Lime



Red



Orange



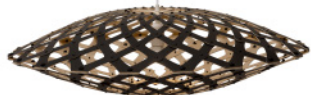
Yellow



White 1 Side



White 2 Sides



Black 1 Side (Outside)



Black 1 Side (Inside)



Black 2 Sides

Contact

New Zealand
Showroom/Head office



Contact

+64 6 6500 204
office@davidtrubridge.com

Address

**Corner Station Road &
Groome Place, Whakatu,
Hastings, Hawkes Bay,
New Zealand**