

FM48618

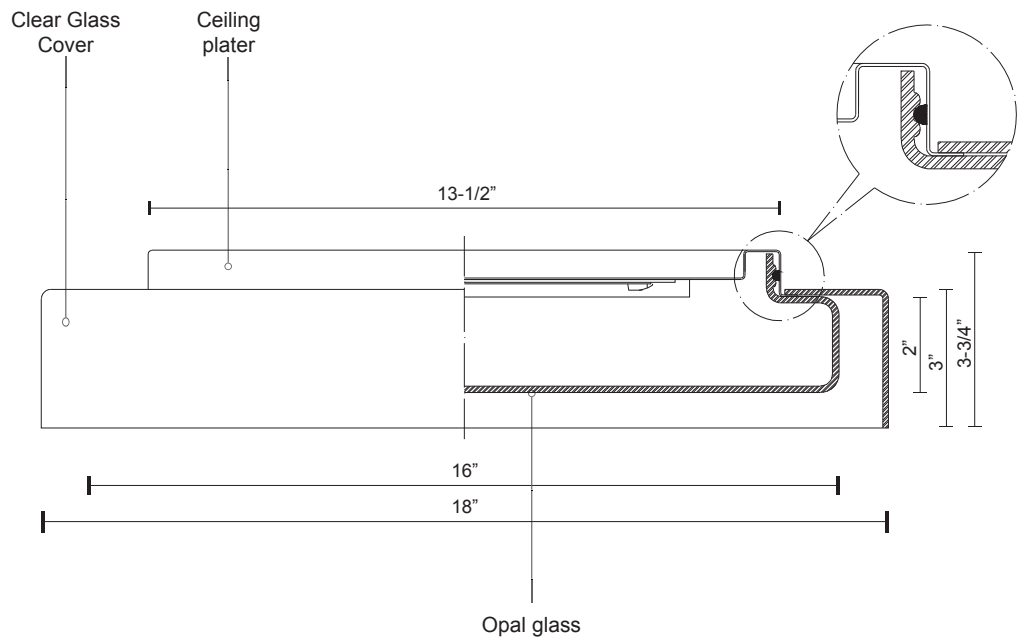
Specification Sheet

Flush Mount



PROJECT					
DATE				TYPE	
Voltage	Watt	LED Lumens	Delivered Lumens	Finish(es)	Color Temp 3000K
120V	32W*	2880lm*	1800lm*	CL - Clear	CRI(Ra) >90
					Dimming 100%-10%
					Rated Life 50,000 hours

*Preliminary figures



Product Descriptions

Product Details

- High system efficacy
- Low total life cycle cost
- No visible flicker AC operation
- ETL listed
- 5-year LED and fixture warranty.
- Complete warranty terms located at: www.kuzcolighting.com/warranty
- Utilizes our patented Driverless LED Light Engine technology - connects directly to AC, no external driver needed.
- Dimmable with ELV dimmer (not included)
- Custom options available

Comments:

Canopy dimensions: