

ELLISSE PENDANT MINOR

Federico Palazzari

LED pendant lamp, available in three versions: major, minor and double, widespread direct or indirect lighting. Extruded aluminium, matt white, matt black painted, polished or glossy gold anodized. Opaline diffuser. Ellisse is manufactured through a proprietary technology to combine the extruded bars (patent pending). Major version available also for wall and floor applications, with a marble base on the floor version and with a wall kit mounting on the wall one.



DOWNLIGHT

LAMPING

Source	linear LED
Total power	54W
Emission	diffused orientable
Switching	dimmable 1-10V
Tension	110/230V
Color temperature	3000K (gold version: 2700K)
Luminous flux	5400lm
Typ cri	80
Energy class	A+
Materials	Aluminium
Notes	cable lenght 2,5m
Net lamp weight	5 Kg

Codes

ELP LWW 52
ELP LNW 52
ELP LGW 52
ELP LLW 52

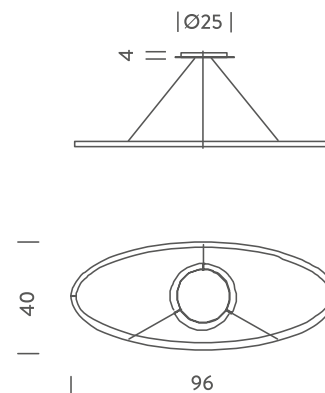
Structure

white
black
gold polished anodized
polished aluminium

PACKAGE

Package 01 80x150x15 cm / Gross weight: 7.5 Kg

Certificazioni



UPLIGHT

LAMPING

Source	linear LED
Total power	54W
Emission	diffused orientable
Switching	dimnable 1-10V
Tension	110/230V
Color temperature	3000K (gold version: 2700K)
Luminous flux	5400lm
Typ cri	80
Energy class	A+
Materials	Aluminium
Notes	cablenght 2,5m
Net lamp weight	5 Kg

Codes

ELP LWW 51
ELP LNW 51
ELP LGW 51
ELP LLW 51

Structure

white
black
gold polished anodized
polished aluminium

PACKAGE

Package 01	80x150x15 cm / Gross weight: 7.5 Kg
------------	-------------------------------------

Certificazioni

