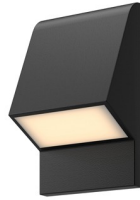


# JACKSON ER72001-12V

## STEP LIGHTS

PROJECT



ER72001-12V-BK  
Black

### SPECIFICATION DETAILS

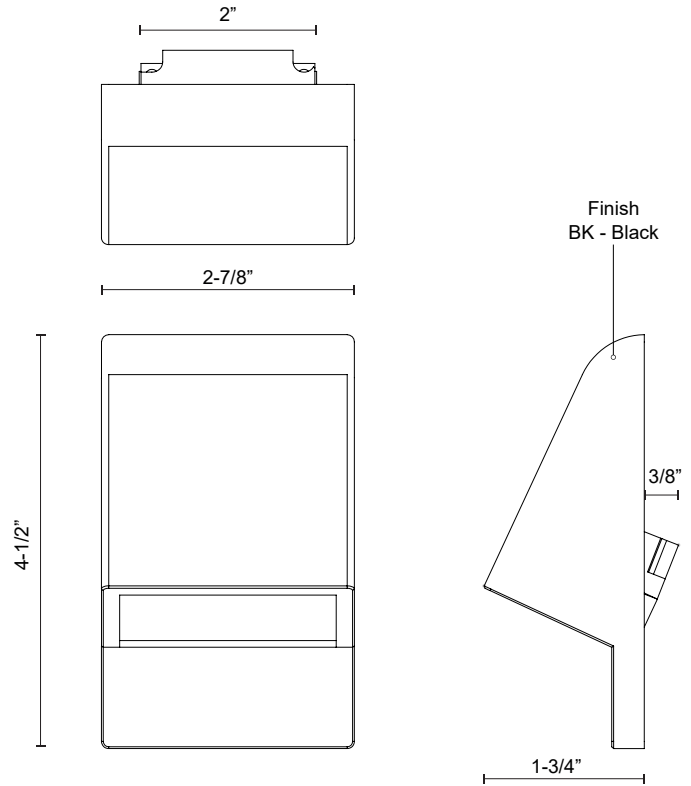
<b>Fixture Dimensions</b>	W2-7/8" x H4-1/2" x E1-3/4"
<b>Light Source</b>	Low Voltage LED
<b>Wattage</b>	3W
<b>Total Lumens</b>	260lm
<b>Delivered Lumens</b>	110lm*
<b>Voltage</b>	12V, with DC Remote Class 2 LED driver (Driver supplied by others)
<b>Color Temperature</b>	3000K
<b>CRI (Ra)</b>	90CRI
<b>Optional Color Temps</b>	2700K - 5000K Available, Minimum Order Quantities Apply
<b>LED Rated Life</b>	50,000 hours
<b>Glass Details</b>	Frosted Glass
<b>ADA Compliant</b>	Yes
<b>Location</b>	Wet
<b>Compliance</b>	ADA
<b>Illumination Direction</b>	Down
<b>Mounting Style</b>	Down Only

\* For custom options, consult factory for details.

\* For warranty information, please visit [www.kuzcolighting.com/warranty](http://www.kuzcolighting.com/warranty)

### DESCRIPTION

The Jackson Collection offers sleek, unintrusive step lighting perfect for commercial or residential use. The cast-aluminum black body makes these small lights blend well with their environment while providing ample lighting to indoor and outdoor locations with their wide frosted glass diffusers



# KUZCO

19054 28TH AVENUE  
SURREY - BC V3Z 6M3  
CANADA

[WWW.KUZCOLIGHTING.COM](http://WWW.KUZCOLIGHTING.COM)

### COMMENT

