

DESSAU 48 LINEAR SUSPENSION

PRODUCT FEATURES

- The Dessau 48 Linear Suspension features an ultra-modern and sleek design, housing a slim recessed panel of integrated LED lights.
- Offered in Natural Brass that will patina over time, Polished Nickel, and Nightshade Black. Available in two sizes, 48" and 72" long. Complete the look with coordinating Floor Lamp and Picture Lamp.
- Fixture includes a selectable CCT feature upon installation, offering the option of 2700K or 3000K to fit your desired ambiance
- Dimmable with most LED compatible ELV and Triac dimmers.
- Includes 12 feet of field-cuttable satin cable
- Protected by a 5-year warranty. please visit the "About Us" Page on techlighting.com for more for warranty details



LAMPING

Includes 36.2 watts, 2261 total delivered lumens, 3000K LED modules. Dimmable with most LED compatible ELV and TRIAC dimmers. Ships with 10 feet of field-cuttable satin cable. 120V

Polished Nickel



Nightshade Black

Natural Brass

Polished Nickel

Polished Nickel2

ORDERING INFORMATION

700LSDES	LENGTH (A)	FINISH	LAMP
	48 48"	NB NATURAL BRASS B NIGHTSHADE BLACK N POLISHED NICKEL	-LED92730 LED 90 CRI SELECTABLE 2700K-3000K 120V

700LSDES _____

JOB NAME _____

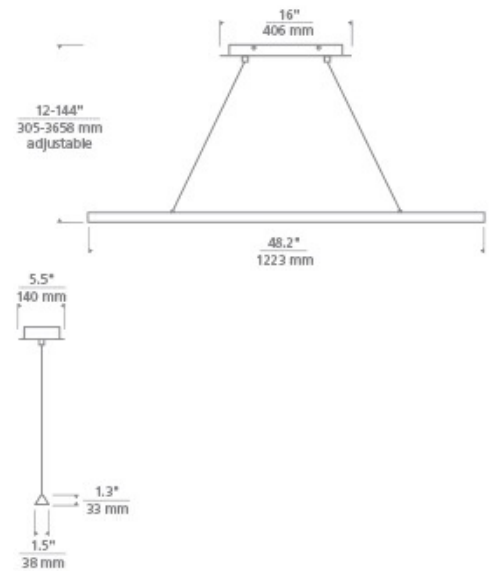
NOTES _____



DESSAU 48 LINEAR SUSPENSION

SPECIFICATIONS

HARDWARE MATERIAL	Metal
SHADE MATERIAL	Aluminum
NET WEIGHT	6.8 lbs
HEIGHT	1.3in
WIDTH	1.5in
LENGTH	48in
UP LIGHT / DOWN LIGHT / BOTH?	
WET LISTED	
DAMP LISTED	Yes
DRY LISTED	
MIN. HANGING HEIGHT	12in
MAX HANGING HEIGHT	144in
TOTAL CORD LENGTH	120in
TOTAL STEM LENGTH	
STEM QTY	
SLOPED CEILING ADAPTABLE?	
GENERAL LISTING	
INCLUDES	



LAMPING SPECIFICATIONS

	LED LAMP	INTEGRATED LED	NON LED	NO LAMP
DELIVERED LUMENS		2261		
WATTS		36.2		
MAX WATTAGE PER BULB		36.2W		
INPUT VOLTAGE		120V		
DIMMING TYPE*		ELV, TRIAC		
CCT		2700K/3000K Selectable		
CRI		90 CRI		
LED LIFETIME				
L70				
AVERAGE BULB HOURS		50000		
FIELD SERVICEABLE LED				
LAMP BASE		Integrated LED		
LAMP SHAPE		Integrated LED		
LAMP INCLUDED?		Y		
WARRANTY**		5 Years		

* Dimming information available at www.techlighting.com/Downloads#dimming

** Visit techlighting.com for specific warranty limitations and details.

T20 / T24 INFORMATION

	Integrated LED	Replacement LED Lamp	No Lamp *
This product can be used to comply with California Building Energy Efficiency Standards 2016 Title 24 Part 6.	Yes		
This product can be used to comply with California Appliance Efficiency Standards 2016 Title 20 and may be shipped to and sold in California.	No		

* If a light fixture or component does not include a lamp or light source, it is the responsibility of the customer to select a lamp that meets the T24 and T20 requirements.

