

General Product Information

This product is suitable for indoor dry locations only.

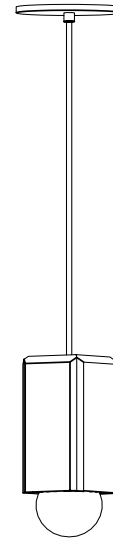
This product is to be installed to a standard 4" junction box with 3" round plaster ring or an octagon junction box.



CAUTION - RISK OF FIRE

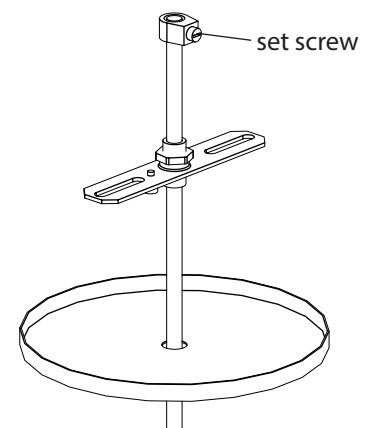
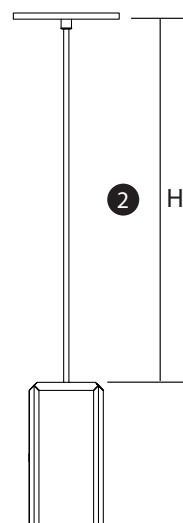
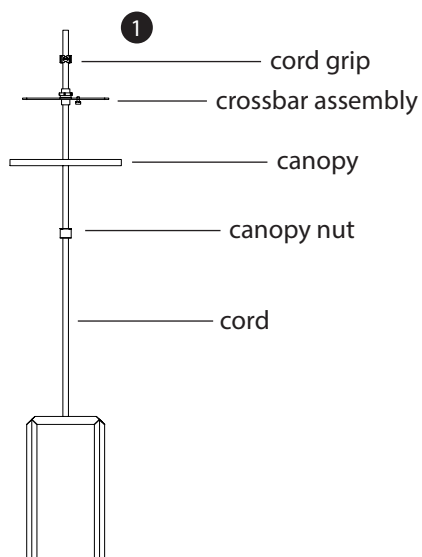


This product requires installation by a qualified electrician. Before installing be sure to read all instructions and **TURN POWER OFF TO THE JUNCTION BOX**



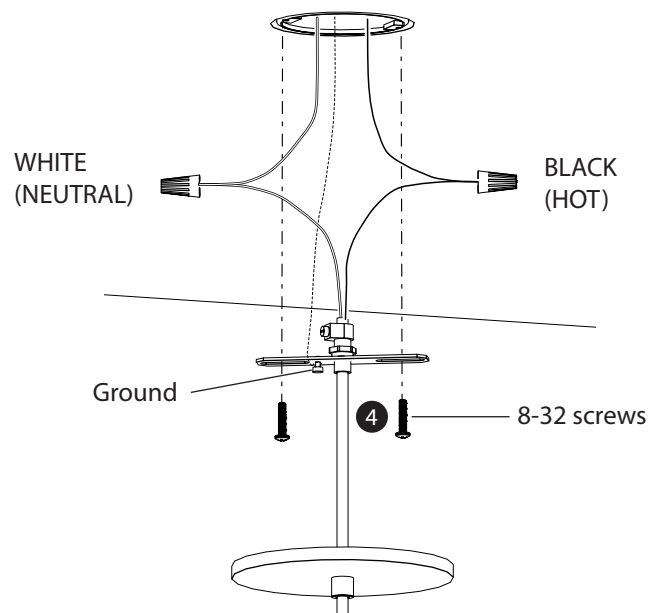
Adjusting the Fixture Height

- 1 Untighten the set screw on the cord grip. Feed the cable from the shade through the canopy nut, the canopy, the crossbar assembly, and the cord grip.
- 2 Measure the desired height (H) that you want the fixture to hang below the ceiling. Once you have reached your desired length, tighten the set screw on the cord grip.



Making Electrical Connection

- 3 Make electrical connections between fixture leads and line service. Connect a ground wire to the ground screw on the crossbar assembly.
- 4 Use the provided 8-32 screws to secure the crossbar assembly to the junction box.



Final Steps

- 5 Push the canopy upwards until the canopy is flush with the ceiling. Use the canopy nut to secure the canopy.
- 6 Insert G25 Bulb into the fixture.

