

Calx 19 E26 SOCKET

Installation Instructions

cerno®

General Product information



This product is suitable for indoor dry locations only.

This product is to be installed to a standard 4" junction box with a 3" round plaster ring or an octagon junction box.



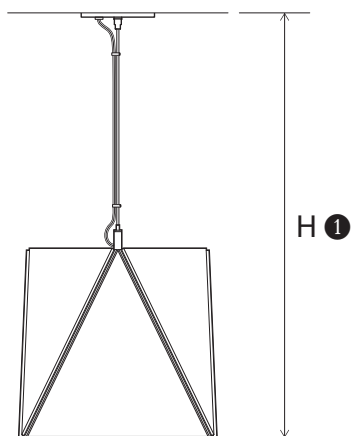
CAUTION - RISK OF FIRE



This product requires installation by a qualified electrician. Before installing be sure to read all instructions and **TURN POWER OFF TO THE JUNCTION BOX**

Adjusting the Fixture Height

- 1 Measure the desired height (H) you want the fixture to hang below the ceiling.
- 2 Thread the suspension cable from crossbar assembly through the canopy and thumb nut.
- 3 Push the end of the suspension cable into the cable gripper on the top of the fixture, making sure that it exits out of the side hole. Adjust the cable length until your desired height (H) is achieved. Cut excess cable.

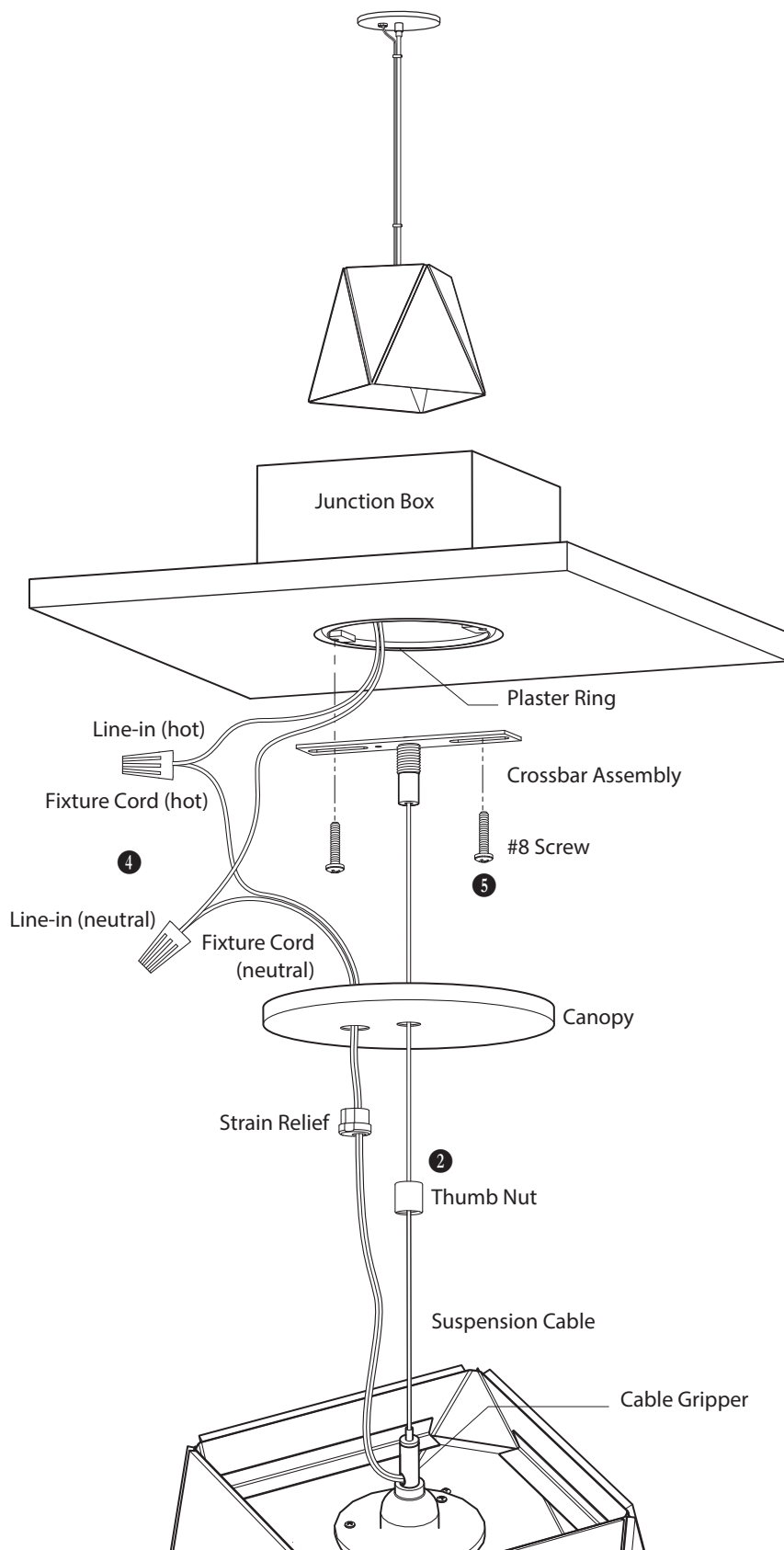


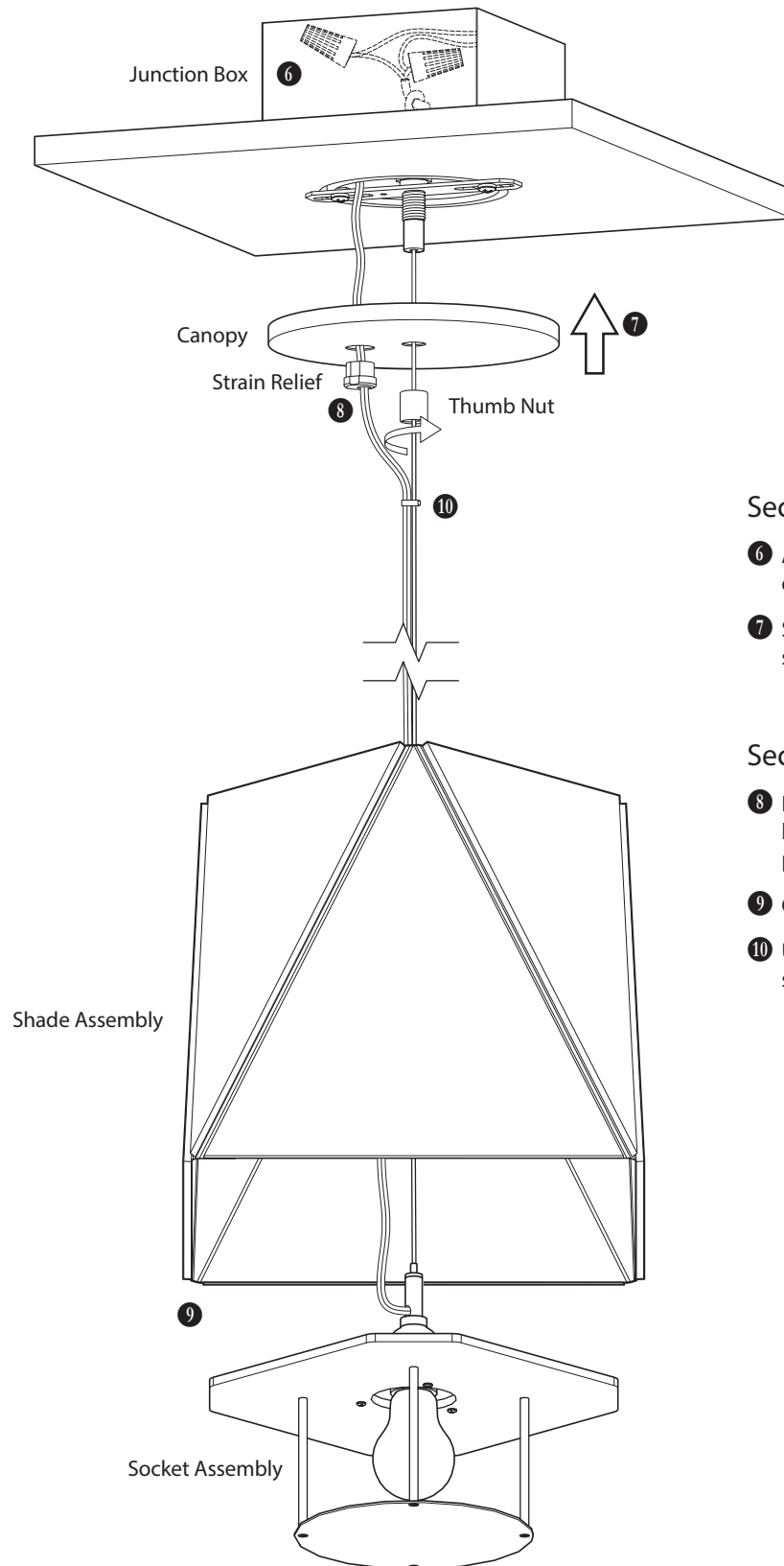
Making Electrical Connections

- 4 Make electrical connections as shown using the supplied wire nuts. Make sure that the clear power cord passes through the off-center hole in the canopy.

Mounting the Fixture

- 5 Attach the crossbar to the junction box using the supplied #8 screws.





Securing the Canopy

- 6 After electrical connections have been made, place all excess wires inside of the junction box.
- 7 Slide the canopy up the cable and secure it by screwing the thumbnut into the crossbar.

Securing the Shade

- 8 Feed excess clear power cord into J-box. Pinch the black strain relief onto the cord with a set of pliers and press into the canopy hole.
- 9 Gently rest shade assembly on to the socket assembly.
- 10 Use zip ties (2x) to secure the power cord to the suspension cable.