

# BAU 18 PENDANT

## PRODUCT FEATURES

- Influenced by modern Asian design, four LED-firing fins provide generous illumination to any space.
- Available in two modern finishes, Nightshade Black and Natural Brass that will patina over time.
- Complete the look with larger size Line-Voltage Pendants and Bath Bars.
- Dimmable with most LED compatible ELV, Triac dimmers.
- Includes (2) 6" and (4) 12" rigid stems in coordinating finish. Due to weight, J-Box must hold a minimum of 75 lbs.
- Protected by a 5-year warranty. Please visit the "About Us" Page on [techlighting.com](http://techlighting.com) for more for warranty details



Natural Brass



Natural Brass

## LAMPING

Includes 120-277 volt universal, 42.8 watt, 962 delivered lumens, 3000K, 90 CRI LED module. Dimmable with most LED compatible ELV and Triac dimmers. Includes (2) 6" and (4) 12" rigid stems in coordinating finish. Can be installed on a sloped ceiling up to 20°

## ORDERING INFORMATION

700	SYSTEM	BAU18	FINISH	LAMP
	TD LINE-VOLTAGE PENDANTS/SUSPENSION		<b>NB</b> NATURAL BRASS <b>B</b> NIGHTSHADE BLACK	<b>-LED930</b> INTEGRATED LED 90 CRI 3000K 120V-277V UNV

700 \_\_\_\_\_ BAU18 \_\_\_\_\_

JOB NAME \_\_\_\_\_

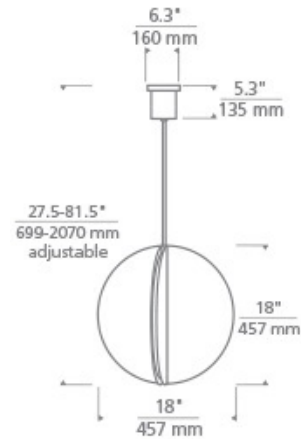
NOTES \_\_\_\_\_



# BAU 18 PENDANT

## SPECIFICATIONS

HARDWARE MATERIAL	Metal
SHADE MATERIAL	Aluminum
NET WEIGHT	15 lbs
HEIGHT	18in
WIDTH	18in
LENGTH	18in
UP LIGHT / DOWN LIGHT / BOTH?	
WET LISTED	
DAMP LISTED	Yes
DRY LISTED	
MIN. HANGING HEIGHT	27in
MAX HANGING HEIGHT	81.5in
TOTAL CORD LENGTH	
TOTAL STEM LENGTH	Up to 60in
STEM QTY	6
SLOPED CEILING ADAPTABLE?	
GENERAL LISTING	
INCLUDES	



## LAMPING SPECIFICATIONS

	LED LAMP	INTEGRATED LED	NON LED	NO LAMP
DELIVERED LUMENS		962		
WATTS		42.8		
MAX WATTAGE PER BULB		42.8W		
INPUT VOLTAGE		Universal 120V-277V		
DIMMING TYPE*		0-10, ELV, TRIAC		
CCT		3000K		
CRI		90 CRI		
LED LIFETIME				
L70				
AVERAGE BULB HOURS		50000		
FIELD SERVICEABLE LED				
LAMP BASE		Integrated LED		
LAMP SHAPE		Integrated LED		
LAMP INCLUDED?		Y		
WARRANTY**		5 Years		

\* Dimming information available at [www.techlighting.com/Downloads#dimming](http://www.techlighting.com/Downloads#dimming)

\*\* Visit [techlighting.com](http://techlighting.com) for specific warranty limitations and details.

## T20 / T24 INFORMATION

	Integrated LED	Replacement LED Lamp	No Lamp *
This product can be used to comply with California Building Energy Efficiency Standards 2016 <b>Title 24</b> Part 6.	Yes		
This product can be used to comply with California Appliance Efficiency Standards 2016 <b>Title 20</b> and may be shipped to and sold in California.	No		

\* If a light fixture or component does not include a lamp or light source, it is the responsibility of the customer to select a lamp that meets the T24 and T20 requirements.

