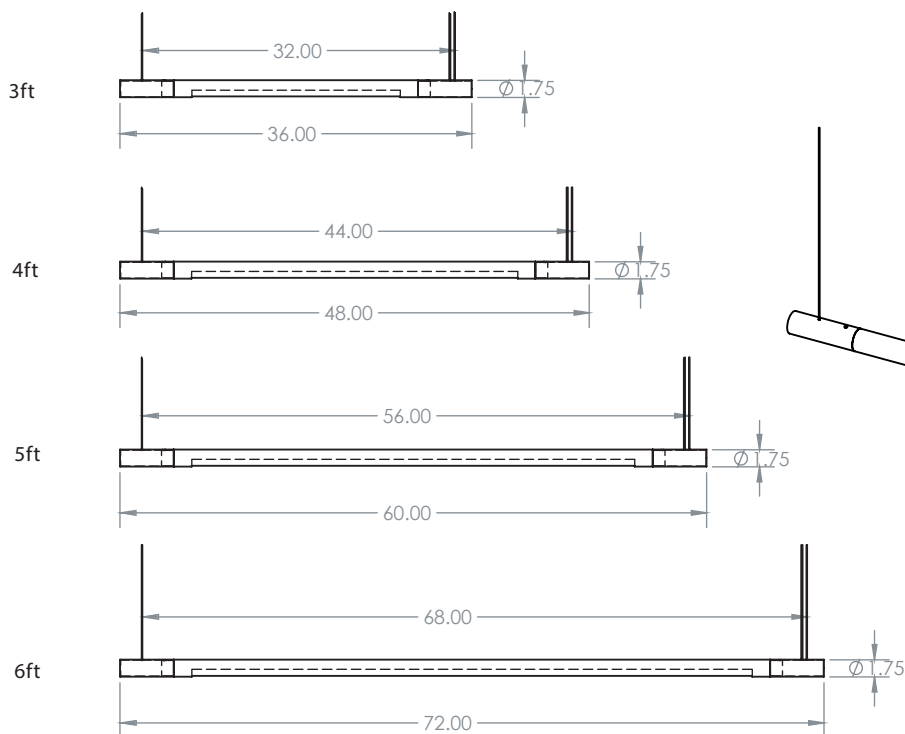


**DIMENSIONS**



# bennington pendant

**DESIGN**

2014

**POWER CONSUMPTION**

19.5 W/metre  
 3ft:13W, 4ft: 20W, 5ft:28W, 6ft: 36W

**SUSPENSION**

2 point suspension (per fixture)  
 Single canopy connection  
 10' cord length power cable  
 Custom lengths upon request

**MATERIALS**

Solid wood  
 Steel endcap  
 24V LED extrusion  
 Suspension hardware

**OUTPUT**

388 lumens/ft  
 3ft: 679lm,4ft: 1066lm,  
 5ft: 1454lm,6ft: 1842lm  
 Equivalent incandescent 75-100W

**FIXTURE WEIGHT**

3ft: 3lbs  
 4ft: 3.5lbs  
 5ft: 4lbs  
 6ft: 4.5lbs

**CERTIFICATION**



**DIMMING TYPE**

24V phase dimmable driver  
 0-10V dimmable driver upon request

**COLOR TEMP**

3000K  
 Custom upon request

**DRIVER**

120VAC - 24VDC  
 120 - 277VAC - 24VDC upon request

SIZE	METAL	METAL FINISH	WOOD
3ft	POWDER COAT FINISH	METAL FINISH	W.Oak White
4ft	Black	Brushed Brass	W.Oak Natural
5ft	White	Brushed Nickel	W.Oak Black
6ft	Custom upon request	Brushed Copper	Walnut

**ORDER SPECIFICATIONS:**

MODEL      SIZE      METAL      WOOD

hollis+morris