

# ASTEROIDE

Pendant lamp in triplex blown glass, opal matt white. Metal parts chromed or painted in white.



## ? 30 FLUO/LED/HALO

### LAMPING

Source	E27 A60
Total power	100W
Emission	diffused
Switching	dimnable, according to bulb
Tension	230V
Materials	metal + glass
Notes	cable lenght max 1,5m

### Codes

AST EHC 52  
AST EWC 52

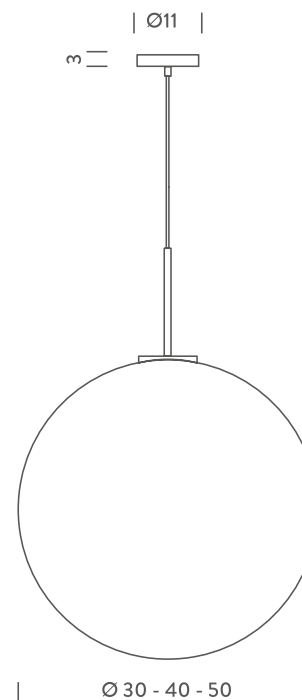
### Structure/Diffuser

chrome/opal white  
white/opal white

### PACKAGE

Package 01	20x20x28 cm / Gross weight: 1 Kg
Package 02	40x40x40 cm / Gross weight: 3.2 Kg

### Certificazioni



## ? 40 FLUO/LED/HALO

---

### LAMPING

Source	E27 A60
Total power	150W
Emission	diffused
Switching	dimnable, according to bulb
Tension	230V
Materials	metal + glass
Notes	cable lenght max 1,5m

### Codes

AST EHC 53  
AST EWC 53

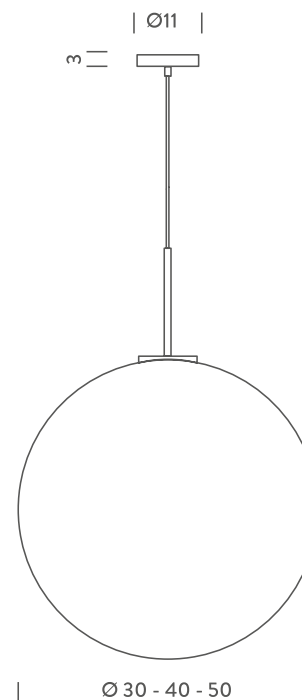
### Structure/Diffuser

chrome/opal white  
white/opal white

### PACKAGE

Package 01	20x20x28 cm / Gross weight: 1 Kg
Package 02	50x50x50 cm / Gross weight: 4.5 Kg

### Certificazioni



## ? 50 FLUO/LED/HALO

---

### LAMPING

Source	E27 A60
Total power	150W
Emission	diffused
Switching	dimnable, according to bulb
Tension	230V
Materials	metal + glass
Notes	cable lenght max 1,5m

### Codes

AST EHC 54  
AST EWC 54

### Structure/Diffuser

chrome/opal white  
white/opal white

### PACKAGE

Package 01	20x20x28 cm / Gross weight: 1.1 Kg
Package 02	60x60x60 cm / Gross weight: 7 Kg

### Certificazioni

