

# AKOVA GRANDE PENDANT

## PRODUCT FEATURES

- Elegant contemporary style using on-trend combinations of metal and glass
- Two sizes available, 14" and 18" diameter
- Available in two contemporary finish combinations. aged brass accented with a bright brass band and matte black accented with an aged brass band
- Smaller 7" diameter Akova pendant also available
- Ships with 12 feet of field-cuttable black cloth cord
- Protected by a 1-year warranty. please visit the "About Us" Page on [techlighting.com](http://techlighting.com) for more for warranty details



Aged Brass/Bright Brass



Aged Brass/Bright Brass

Matte Black/Brass

## LAMPING

(No Lamp) Rated for (1) 60 watt max. E26 medium base lamp (Not Included). LED 120 volt 17 watt, 908 delivered lumens, 2700K, medium base LED A21 lamp. Dimmable with most LED compatible ELV and TRIAC dimmers. Fixture provided with 12 feet of field-cuttable black cloth cord.

## ORDERING INFORMATION

### 700TDAKV13 COLOR

RBR AGED BRASS/BRIGHT BRASS  
BR MATTE BLACK/AGED BRASS  
WC WHITE/CHROME

### LAMP

NO LAMP  
-LED927 MED. BASE A21 LED 90CRI 2700K 120V (T20/T24)

700TDAKV13 \_\_\_\_\_

JOB NAME \_\_\_\_\_

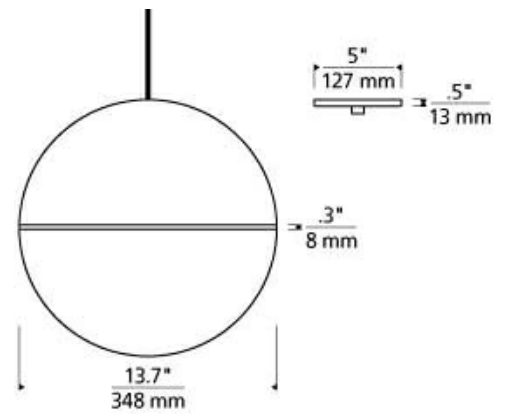
NOTES \_\_\_\_\_  
\_\_\_\_\_  
\_\_\_\_\_



# AKOVA GRANDE PENDANT

## SPECIFICATIONS

HARDWARE MATERIAL	Metal
SHADE MATERIAL	Acrylic
NET WEIGHT	6.5 lbs
HEIGHT	13.7in
WIDTH	13.7in
LENGTH	13.7in
UP LIGHT / DOWN LIGHT / BOTH?	
WET LISTED	
DAMP LISTED	Yes
DRY LISTED	
MIN. HANGING HEIGHT	20.2in
MAX HANGING HEIGHT	158.2in
TOTAL CORD LENGTH	144in
TOTAL STEM LENGTH	
STEM QTY	
SLOPED CEILING ADAPTABLE?	
GENERAL LISTING	
INCLUDES	



## LAMPING SPECIFICATIONS

	LED LAMP	INTEGRATED LED	NON LED	NO LAMP
DELIVERED LUMENS	908			
WATTS	17			
MAX WATTAGE PER BULB	60W			60W
INPUT VOLTAGE	120V			120V
DIMMING TYPE*	ELV, TRIAC			ELV, TRIAC
CCT	2700K			
CRI	90 CRI			
LED LIFETIME				
L70				
AVERAGE BULB HOURS	25000			
FIELD SERVICEABLE LED				
LAMP BASE	E26 Medium Base			E26 Medium Base
LAMP SHAPE	A21			A21
LAMP INCLUDED?	Y			N
WARRANTY**	1 Year			1 Year

\* Dimming information available at [www.techlighting.com/Downloads#dimming](http://www.techlighting.com/Downloads#dimming)

\*\* Visit [techlighting.com](http://techlighting.com) for specific warranty limitations and details.

## T20 / T24 INFORMATION

	Integrated LED	Replacement LED Lamp	No Lamp *
This product can be used to comply with California Building Energy Efficiency Standards 2016 <b>Title 24</b> Part 6.		Yes	Yes
This product can be used to comply with California Appliance Efficiency Standards 2016 <b>Title 20</b> and may be shipped to and sold in California.		Yes	Yes

\* If a light fixture or component does not include a lamp or light source, it is the responsibility of the customer to select a lamp that meets the T24 and T20 requirements.

