

MILCA 494502M

PENDANTS

PROJECT



DESCRIPTION

Single lamp pendant with steel cylindrical shade embellished by stacked tubular slices. Primary color configurations include black, gray, brushed nickel or gold with a matching interior. Suspended by a black Teflon cable



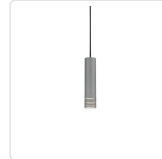
494502M-BN
Brushed Nickel



494502M-GD
Gold



494502M-BK
Black



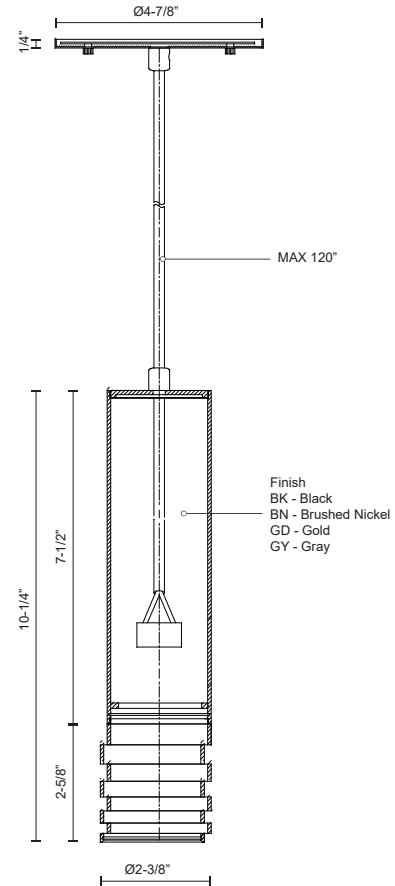
494502M-GY
Gray

SPECIFICATION DETAILS

Fixture Dimensions	D2-3/8" x H10-1/4"
Lamp Type	Halogen, GU10
Wattage	1 x 50W
Voltage	120V
Adjustable	Yes
Wire Length	120" Max
Wire Type	Black Braided Cord
Sloped Ceiling Adaptable	Yes
Location	Dry
Bulbs Included	No
Canopy Dimensions	D4-7/8" x H1/4"

* For custom options, consult factory for details.

* For warranty information, please visit www.kuzcolighting.com/warranty



KUZCO

19054 28TH AVENUE
SURREY - BC V3Z 6M3
CANADA

WWW.KUZCOLIGHTING.COM

COMMENT