

# MILCA 494502L

## PENDANTS

PROJECT



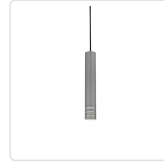
494502L-BN  
Brushed Nickel



494502L-BK  
Black



494502L-GD  
Gold



494502L-GY  
Gray

### SPECIFICATION DETAILS

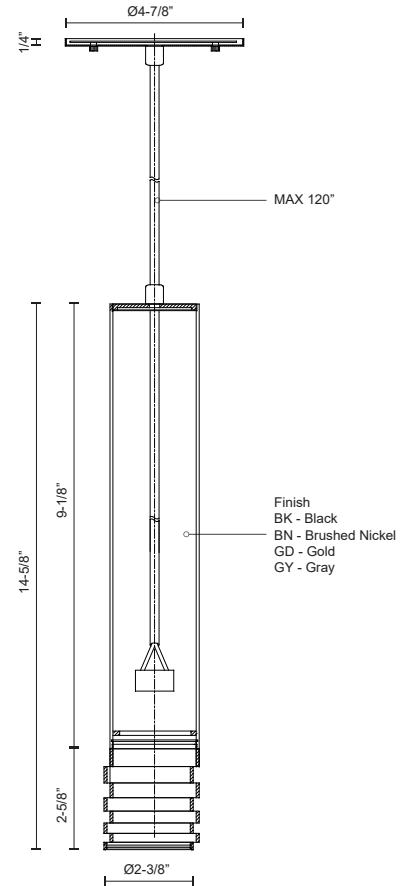
|                                 |                    |
|---------------------------------|--------------------|
| <b>Fixture Dimensions</b>       | D2-3/8" x H14-5/8" |
| <b>Lamp Type</b>                | Halogen, GU10      |
| <b>Wattage</b>                  | 1 x 50W            |
| <b>Voltage</b>                  | 120V               |
| <b>Adjustable</b>               | Yes                |
| <b>Wire Length</b>              | 120" Max           |
| <b>Wire Type</b>                | Black Braided Cord |
| <b>Sloped Ceiling Adaptable</b> | Yes                |
| <b>Location</b>                 | Dry                |
| <b>Bulbs Included</b>           | No                 |
| <b>Canopy Dimensions</b>        | D4-7/8" x H1/4"    |

\* For custom options, consult factory for details.

\* For warranty information, please visit [www.kuzcolighting.com/warranty](http://www.kuzcolighting.com/warranty)

### DESCRIPTION

Single lamp pendant with steel cylindrical shade embellished by stacked tubular slices. Primary color configurations include black, gray, brushed nickel or gold with a matching interior. Suspended by a black Teflon cable



# KUZCO

19054 28TH AVENUE  
SURREY - BC V3Z 6M3  
CANADA

[WWW.KUZCOLIGHTING.COM](http://WWW.KUZCOLIGHTING.COM)

### COMMENT