

# 493513

Specification Sheet

## Pendant



Black



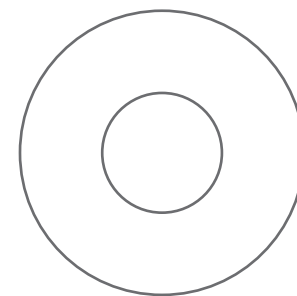
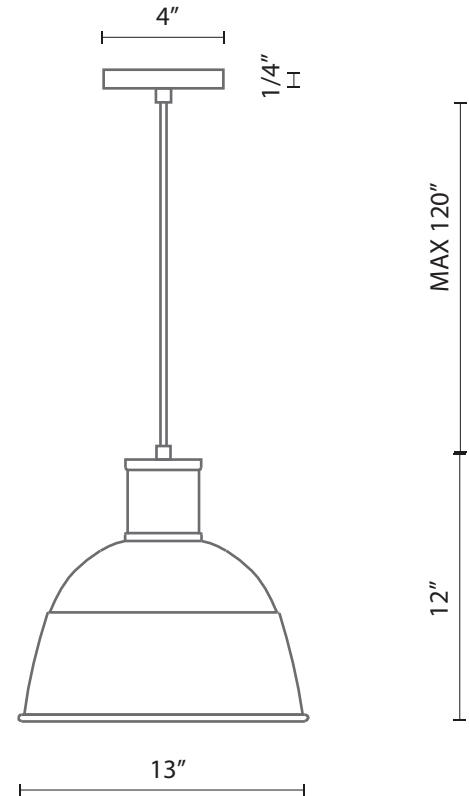
White



Indigo Blue

PROJECT						
DATE					TYPE	
<b>Voltage</b>	<b>Watt</b>	<b>LED Lumens</b>	<b>Delivered Lumens</b>	<b>Finish(es)</b>	<b>Color Temp</b>	<b>N/A</b>
120V	1 x 60W*	N/A	N/A	BK - Black	CRI(Ra)	N/A
120V	1 x 60W*	N/A	N/A	IB - Indigo Blue	Dimming	N/A
120V	1 x 60W*	N/A	N/A	WH - White	Rated Life	N/A

\*Preliminary figures



### Product Descriptions

Single lamp pendant with aluminum dome shade showcasing powder-coated finishes. Exterior shade colors are black, white or blue with matte white interior. Suspended by cloth cable to a maximum 120" length. Available in 3 sizes.

### Product Details

UL Listed.

5-years warranty.

Complete warranty terms located at:

[www.kuzcolighting.com/warranty](http://www.kuzcolighting.com/warranty)

Lamp type incandescent with E26 medium base bulb (bulb not included).

Canopy dimensions:

D: 4"; H: 1/4"

Comments: