

# GREGORY 41073

## PENDANTS

PROJECT



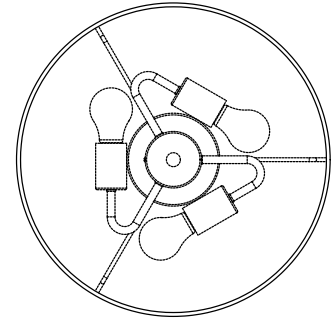
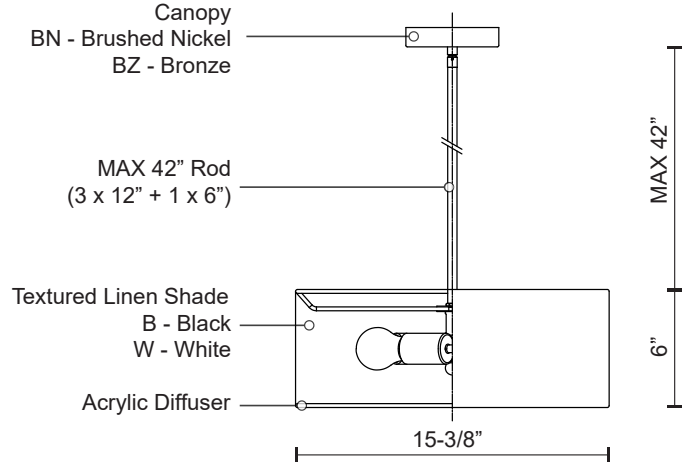
41073W  
White



41073B  
Black

### DESCRIPTION

Three lamp pendant with a round drum shape textured linen shade in your choice of two colors, acrylic bottom diffuser.



### SPECIFICATION DETAILS

<b>Fixture Dimensions</b>	D15-3/8" x H6"
<b>Lamp Type</b>	Incandescent, A19, Medium Base
<b>Wattage</b>	3 x 60W
<b>Voltage</b>	120V
<b>Diffuser Details</b>	White Acrylic Diffuser
<b>Shade Details</b>	Textured Linen Shade
<b>Adjustable</b>	Yes
<b>Rod Length</b>	42" Max (3x12" + 1x6")
<b>Product Adaptor</b>	ADP002BN, Sold Separately
<b>Location</b>	Dry
<b>Bulbs Included</b>	No
<b>Canopy Dimensions</b>	D4-3/4" x H3/4"

\* For custom options, consult factory for details.

\* For warranty information, please visit [www.kuzcolighting.com/warranty](http://www.kuzcolighting.com/warranty)

# KUZCO

19054 28TH AVENUE  
SURREY - BC V3Z 6M3  
CANADA

[WWW.KUZCOLIGHTING.COM](http://WWW.KUZCOLIGHTING.COM)

### COMMENT

