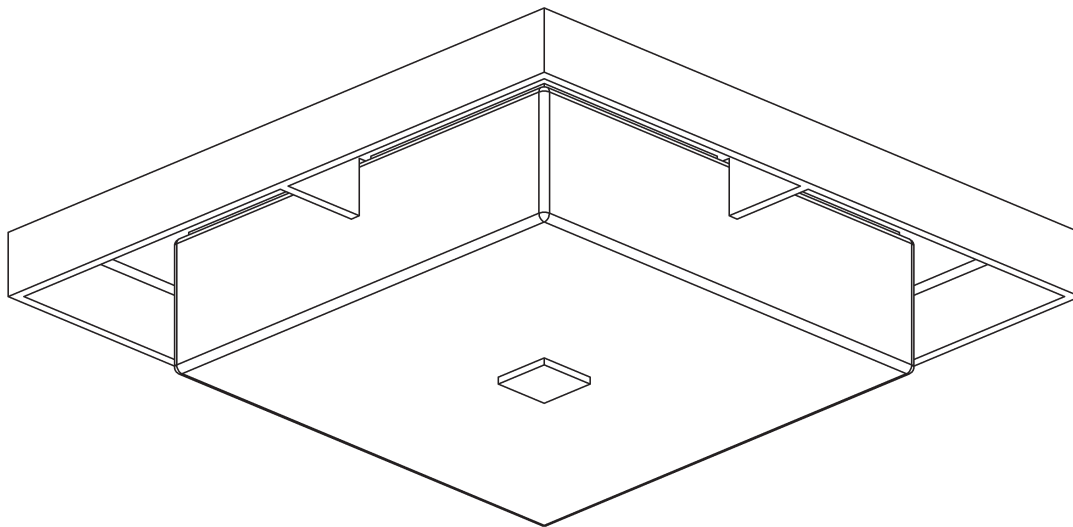


ASSEMBLY & INSTALLATION INSTRUCTIONS

A965

Shadow Box Outdoor Flush Mount Large 363102



ASSEMBLY & INSTALLATION INSTRUCTIONS

A965

Shadow Box Outdoor Flush Mount Large 363102

Component Parts

A	Fixture
B	Crossbar
C	Ground Screw
D	Cupped Washer
E	Anchor (2)
F	#10 Screw (2)
G	Threaded Stud (4)
H	Thumb Nut (4)
I	Nipple
J	Glass
K	Rubber Washer
L	Glass Lock Up



ASSEMBLY & INSTALLATION INSTRUCTIONS

A965

Shadow Box Outdoor Flush Mount Large 363102

CAUTION: FAILURE TO INSTALL THIS FIXTURE PROPERLY MAY RESULT IN SERIOUS PERSONAL INJURY OR DEATH AND PROPERTY DAMAGE. We recommend installation by a licensed electrician. This product must be installed in accordance with applicable installation code(s), by a person familiar with the construction and operation of the product and the hazards involved.*

Caution: Do not exceed maximum wattage noted on fixture. Use only recommended bulbs with fixture.

Install Fixture (Figure 1 - on following page)

1. Carefully unpack the fixture from the carton.
2. Position the crossbar (B) over the electrical box aligning ovals in crossbar with mounting holes in electrical box. Orient fixture to desired hanging position and mark the location of anchors (E) on the ceiling. Set the mounting bracket aside.
3. Drill 1/4" holes in the locations marked on the ceiling. Place the tapered ends of the anchors (E) into the holes and gently tap them flush to the wall using a light weight hammer.
4. Using two machine screws (not provided), fasten the crossbar (B) to the electrical box with threaded studs (G) pointing downward.

Note: A new electric box comes with screws. When replacing a fixture, retain the existing screws for use with the new fixture.

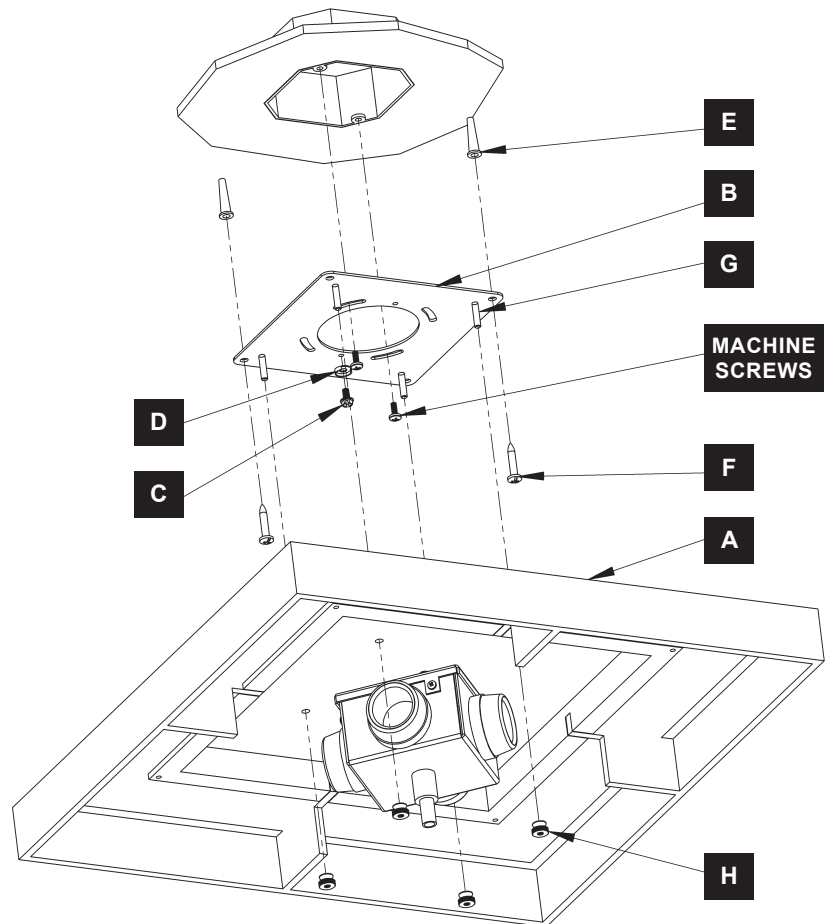
5. Using #10 screws (F), screw the crossbar (B) securely to the ceiling. Be careful not to over-tighten or strip the anchors (E).
6. Attach a pigtail lead to crossbar (B) using ground screw (C) & cupped washer (D).
7. Hold fixture (A) close to ceiling. Using suitable wire connectors (not provided) connect wires to supply wires (white to white and black to black). Connect all ground wires (bare copper or green to bare copper or green).

CAUTION: MAKE SURE WIRE CONNECTORS ARE TWISTED ON SECURELY AND NO BARE WIRE IS EXPOSED.

8. Slide fixture (A) over threaded studs (G) and push firmly to ceiling. Fasten with thumb nuts (H).

CAUTION: BE SURE NO WIRES ARE PINCHED BETWEEN THE FIXTURE (A) AND THE CEILING.

9. Install light bulbs (not included).



(Figure 1)

ASSEMBLY & INSTALLATION INSTRUCTIONS

A965

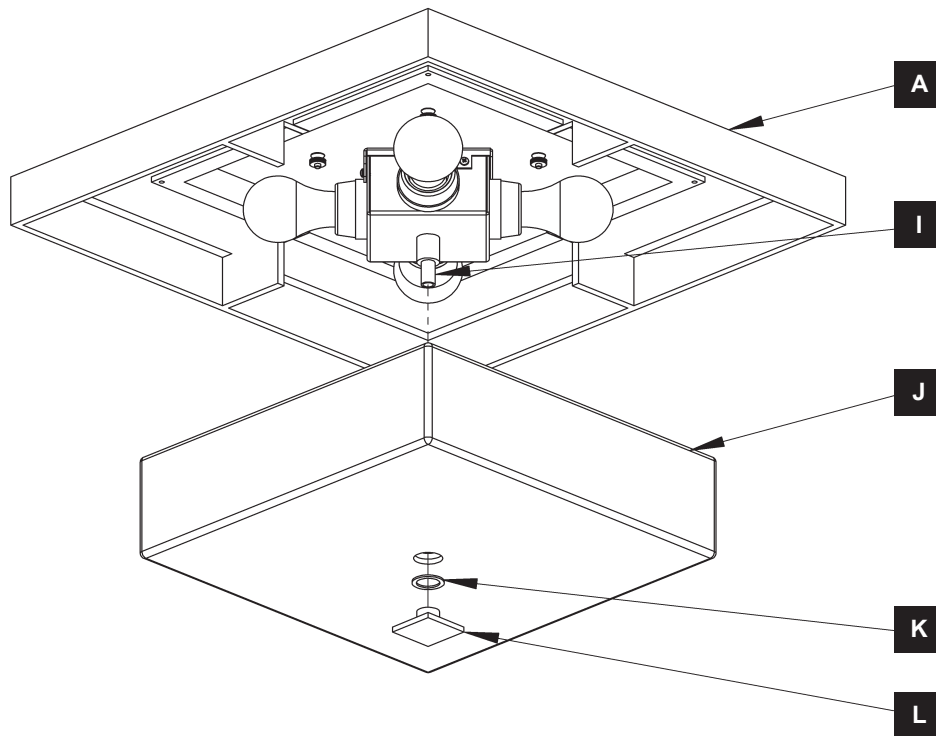
Shadow Box Outdoor Flush Mount Large 363102

Install Glass (Figure 2)

1. Slip glass (J) and rubber washer (K) onto nipple (I) installed in fixture (A).
2. Thread the glass lock up (L) onto the threaded nipple (I) and tighten until snug.

Caution: **Be sure to not over tighten as this could break glass.**

3. Restore electricity at main breaker.



(Figure 2)

If you need further assistance, or find that you are missing any parts, please contact the dealer from which you purchased this product. We hope you enjoy your fixture!

*** Hubbardton Forge will not be liable for injury or damage caused by improper installation, lamping or use of this fixture.**