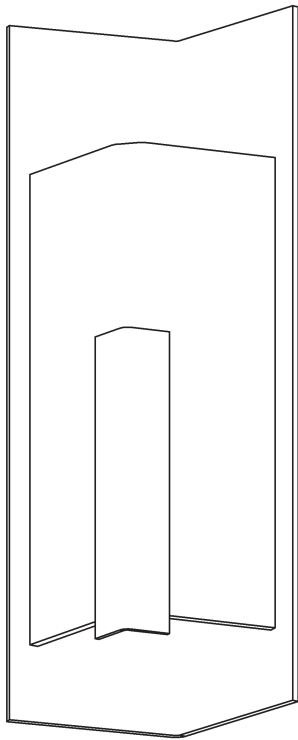


ASSEMBLY & INSTALLATION INSTRUCTIONS

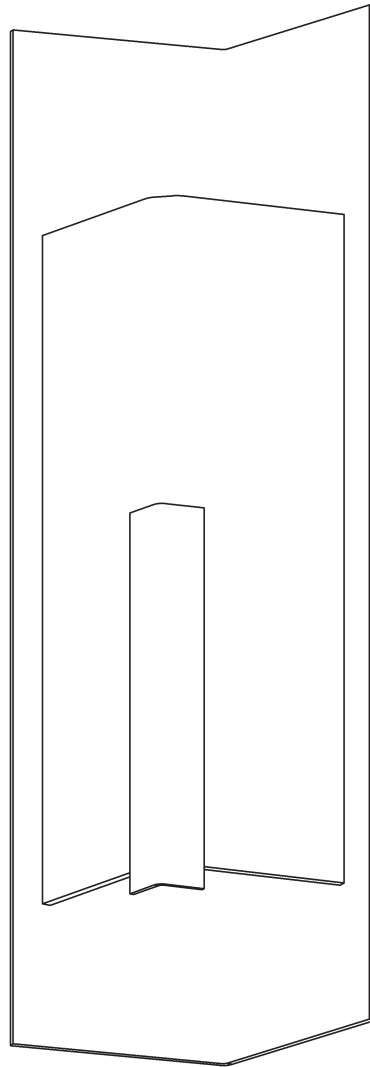
B534

Summit Outdoor Sconce Small 302045 & Medium 302046



302045

Shown in Illustrations



302046



HUBBARDTON FORGE.

MODERN AMERICAN BLACKSMITHS | FINE, HAND CRAFTED LIGHTING
CASTLETON, VERMONT USA | HUBBARDTONFORGE.COM

Component Parts

A	Fixture
B	Crossbar
C	Ground Screw
D	Knurled Balls (2)
E	Threaded Stud (2)
F	Caulking Lip
G	Outer Glass
H	Plate
I	Rubber Washer
J	Plastic Washer
K	Thumb Screw
L	Socket
M	Bulb - Not Included
N	Inner Glass
O	O-Ring
P	Cup



ASSEMBLY & INSTALLATION INSTRUCTIONS

B534

Summit Outdoor Sconce Small 302045 & Medium 302046

CAUTION: FAILURE TO INSTALL THIS FIXTURE PROPERLY MAY RESULT IN SERIOUS PERSONAL INJURY OR DEATH AND PROPERTY DAMAGE. We recommend installation by a licensed electrician. This product must be installed in accordance with applicable installation code(s), by a person familiar with the construction and operation of the product and the hazards involved.*

Caution: Do not exceed maximum wattage noted on fixture. Use only recommended bulbs with fixture.

To Install Fixture (Figures 1 & 2 - on next page)

1. Carefully unpack the fixture (A) from the carton.
2. Thread two studs (E) into the appropriate holes in the crossbar (B) that align with fixture (A) and desired orientation.
3. Using two machine screws (not provided) attach crossbar (B) to the electric box using outer oval holes to orient fixture.
Note: A new electric box comes with screws. When replacing a fixture, retain the existing screws for use with the new fixture.
4. Adjust the studs (E) to proper length to ensure the fixture will fit snugly against the wall.
5. Using suitable wire connectors (not provided) connect fixture wires to supply (white to white and black to black). Attach a pigtail lead to the crossbar ground screw (C). Connect all ground wires (bare copper or green to bare copper or green).

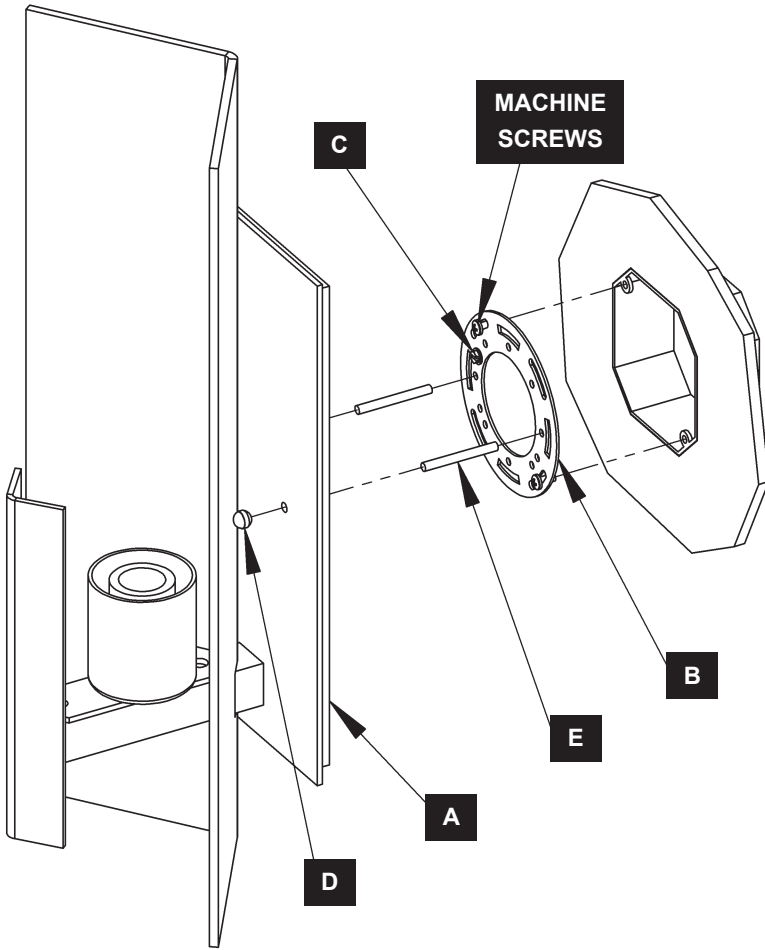
CAUTION: MAKE SURE WIRE CONNECTORS ARE TWISTED ON SECURELY, AND NO BARE WIRE IS EXPOSED.

6. Apply a generous bead of a suitable caulking material (not provided) to caulking lip (F) on the fixture (Figure 2).
7. Carefully tuck all wires behind fixture, push fixture firmly against the wall. Secure by threading knurled balls (D) onto threaded studs (E).
Note: Be sure no wires are pinched between the wall and the fixture. Be sure threaded studs are fully seated in balls.
8. See instructions on last page to install glass.

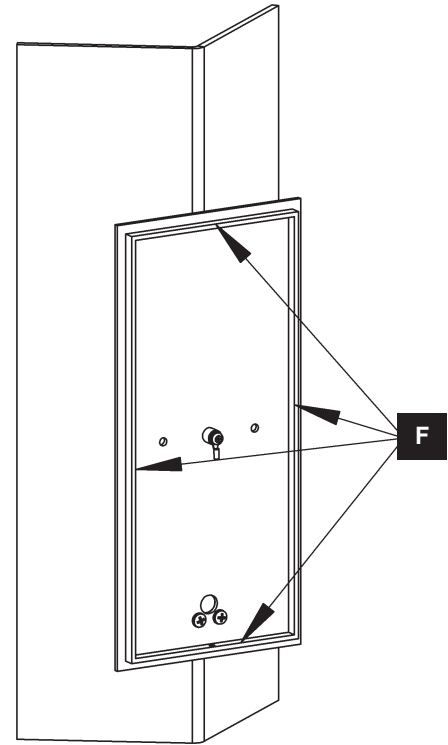
ASSEMBLY & INSTALLATION INSTRUCTIONS

B534

Summit Outdoor Sconce Small 302045 & Medium 302046



(Figure 1)



(Figure 2)



HUBBARDTON FORGE.

MODERN AMERICAN BLACKSMITHS | FINE, HAND CRAFTED LIGHTING
CASTLETON, VERMONT USA | HUBBARDTONFORGE.COM

ASSEMBLY & INSTALLATION INSTRUCTIONS

B534

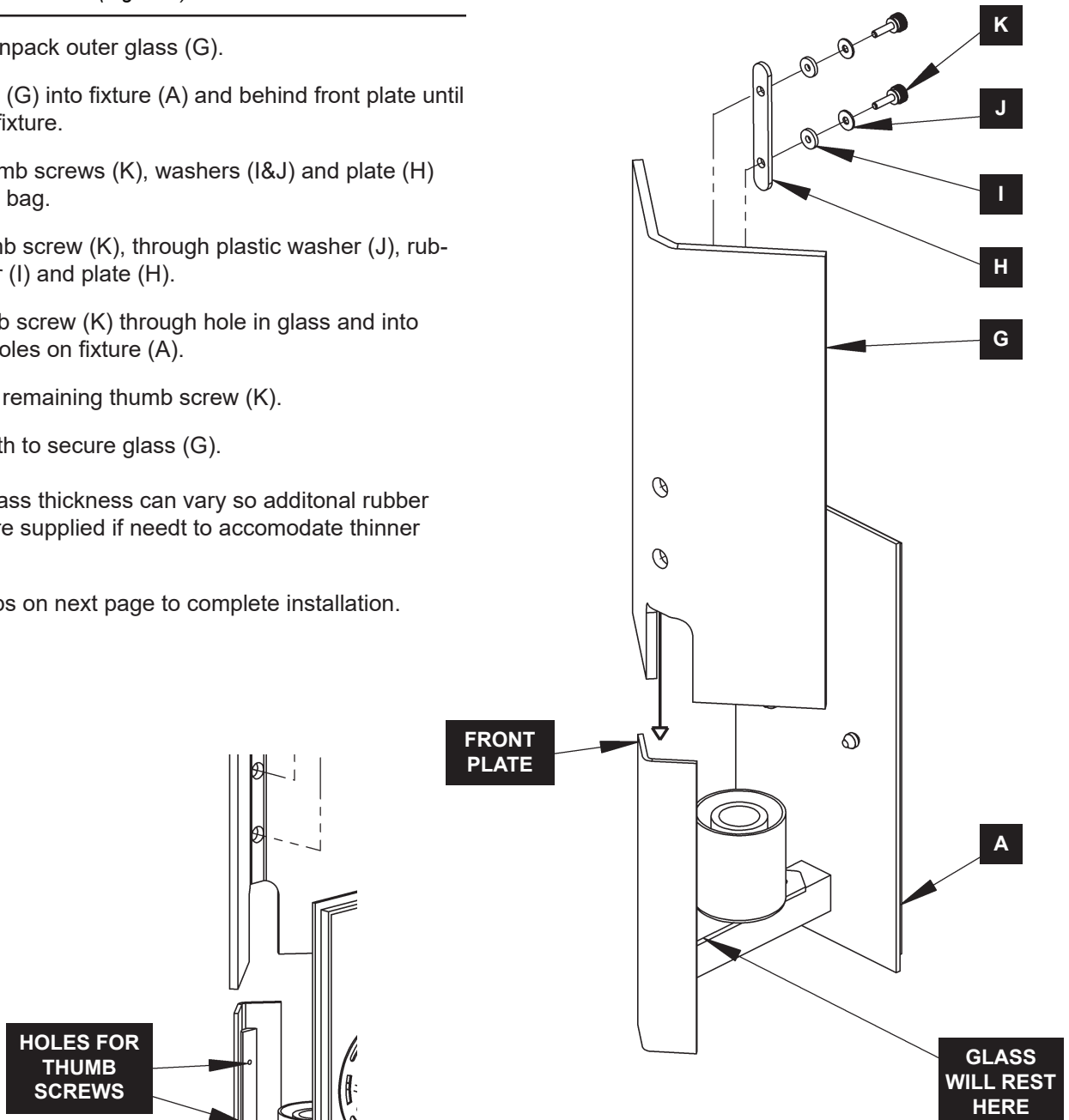
Summit Outdoor Sconce Small 302045 & Medium 302046

Install Outer Glass (Figure 3)

1. Carefully unpack outer glass (G).
2. Slide glass (G) into fixture (A) and behind front plate until it rests on fixture.
3. Locate thumb screws (K), washers (I&J) and plate (H) found in kit bag.
4. Place thumb screw (K), through plastic washer (J), rubber washer (I) and plate (H).
5. Align thumb screw (K) through hole in glass and into threaded holes on fixture (A).
6. Repeat for remaining thumb screw (K).
7. Tighten both to secure glass (G).

NOTE: Glass thickness can vary so additional rubber washers are supplied if need to accomodate thinner glass.

8. Follow steps on next page to complete installation.



(Figure 3)
CUT AWAY VIEW

(Figure 3)



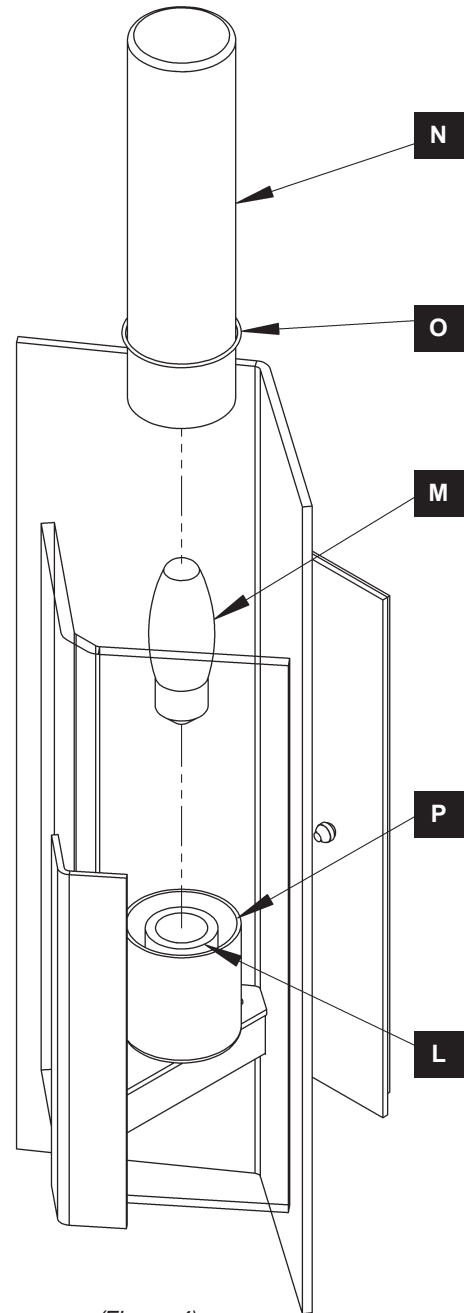
HUBBARDTON FORGE.

MODERN AMERICAN BLACKSMITHS | FINE, HAND CRAFTED LIGHTING
CASTLETON, VERMONT USA | HUBBARDTONFORGE.COM

Summit Outdoor Sconce Small 302045 & Medium 302046

Complete Install *(Figure 4)*

1. Carefully unpack inner glass (N).
2. Install bulb (M), *not provided*, into socket (L).
3. Slide o-ring (O) onto the open end of glass (N).
4. Slide glass (N) over bulb (M) and into cup (P).
5. Continue to press glass (N) into cup (P) until o-ring (O) is inside cup (P) and glass (N) has bottomed out.
6. Restore electricity at main breaker.



(Figure 4)

If you need further assistance, or find that you are missing any parts, please contact the dealer from which you purchased this product. We hope you enjoy your fixture!

**** Hubbardton Forge will not be liable for injury or damage caused by improper installation, lamping or use of this fixture.***