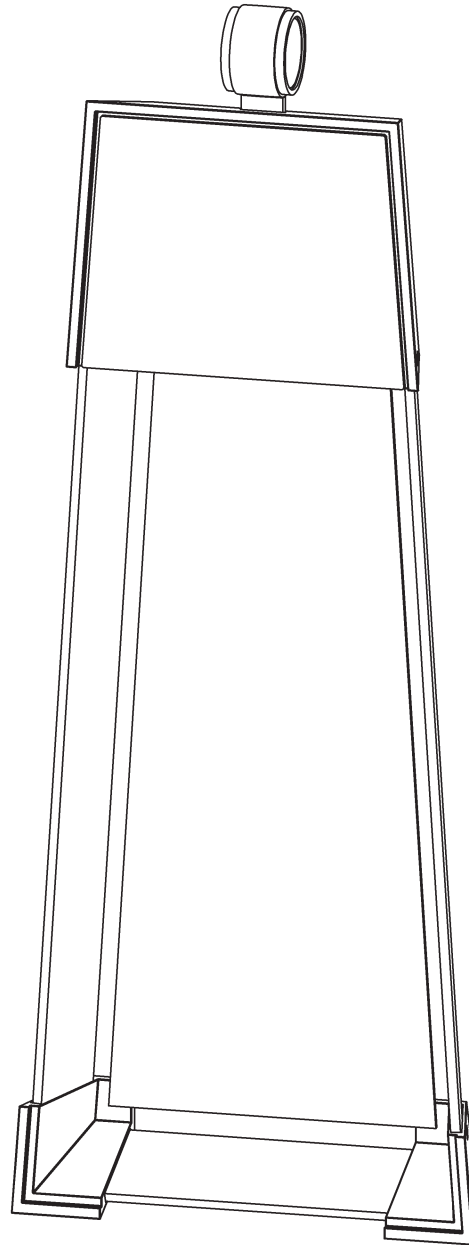


ASSEMBLY & INSTALLATION INSTRUCTIONS

B531

Revere Outdoor Sconce Large 302040



HUBBARDTON FORGE.

MODERN AMERICAN BLACKSMITHS | FINE, HAND CRAFTED LIGHTING
CASTLETON, VERMONT USA | HUBBARDTONFORGE.COM

Component Parts

- A Fixture**
- B Bracket**
- C Anchor (4)**
- D #10 Screws (4)**
- E Ground Screw**
- F Cupped Washer**
- G #8 Screws (4)**
- H Rubber Washer (2)**
- I Caulking Lip**
- J Accent Plate**
- K Thumb Screw**
- L Studs (2)**
- M Knurled Balls (2)**



ASSEMBLY & INSTALLATION INSTRUCTIONS

B531

Revere Outdoor Sconce Large 302040

CAUTION: FAILURE TO INSTALL THIS FIXTURE PROPERLY MAY RESULT IN SERIOUS PERSONAL INJURY OR DEATH AND PROPERTY DAMAGE. We recommend installation by a licensed electrician. This product must be installed in accordance with applicable installation code(s), by a person familiar with the construction and operation of the product and the hazards involved.*

Caution: Do not exceed maximum wattage noted on fixture. Use only recommended bulbs with fixture.

Install to Wall (Figures 1 & 2 - on following page)

1. Carefully unpack the fixture (A) from the carton.
2. Remove accent plate (J) from fixture (A) by removing thumb screw (K) and knurled balls (M). Retain for re-install at a later step.
3. Center the bracket (B) over the electrical box. Be sure to line up oval slots in bracket with mounting holes in electrical box. With a pencil, mark the location of all mounting holes in the mounting bracket (B) on the wall.
4. Drill 1/4" holes in the locations marked on wall. Place the tapered end of the anchors (C) into the holes and gently tap them flush to the ceiling using a light weight hammer.
5. Thread the wires in the electrical box through the hole in bracket (B) while moving into position. Using two machine screws (not provided) fasten bracket (B) to the electric box.
6. Using the #10 screws (D), secure mounting bracket (B) securely to ceiling. Be careful not to over-tighten or strip anchors (C).
7. Using two machine screws (not provided) fasten the bracket (B) to electrical box.

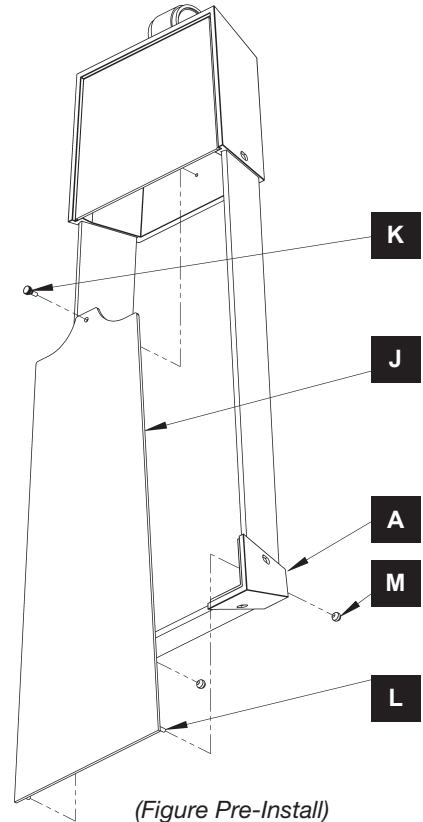
Note: A new electrical box comes with screws. When replacing a fixture, retain the existing screws for use with the new fixture.

8. Hold fixture (A) close to wall. Using suitable wire connectors (not provided), connect fixture wires to supply wires (white to white and black to black). Attach a pigtail lead to the bracket (B) using the cupped washer (F) and ground screw (E). Connect all ground wires (bare copper or green to bare copper or green).

CAUTION: MAKE SURE WIRE CONNECTORS ARE TWISTED ON SECURELY AND NO BARE WIRES ARE EXPOSED.

9. Apply a generous bead of a suitable caulking material (not provided) to caulking lip (I) on the fixture. Caulk should be applied around the entire perimeter of the back plate (Figure 2).
10. Place fixture (A) over bracket (B). Secure with #8 screws (G) and rubber washers (H) on top and #8 screws (G) on bottom.

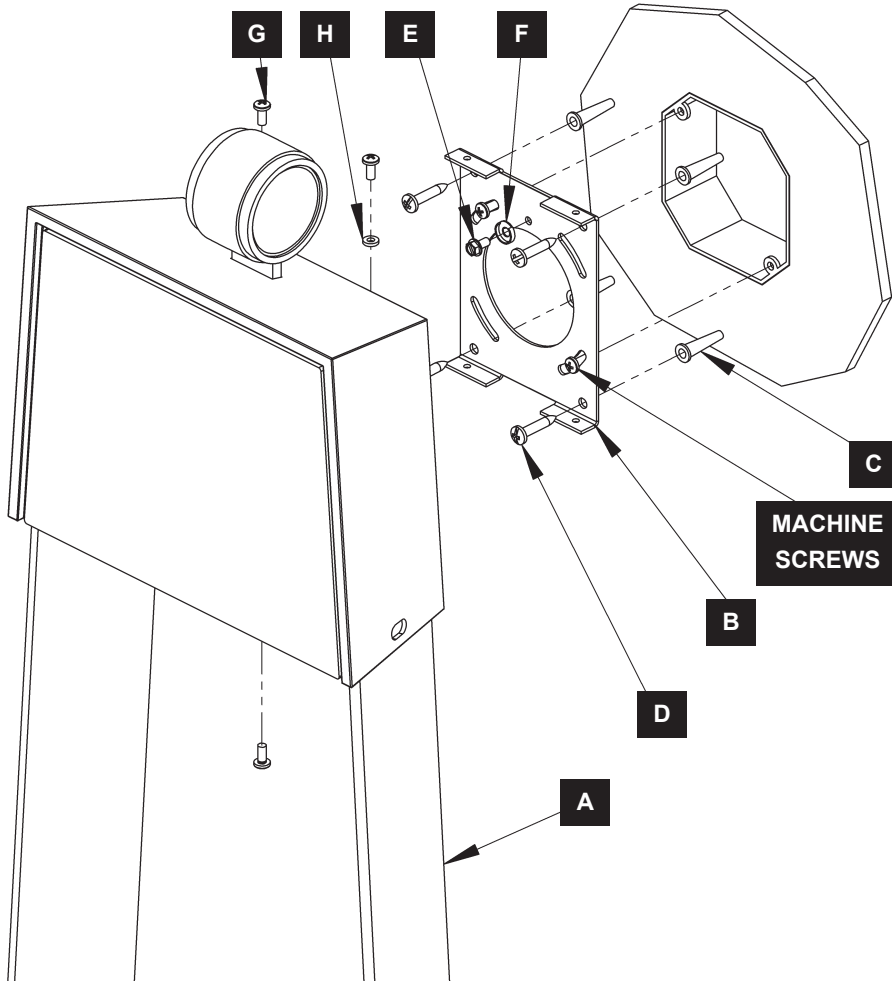
CAUTION: BE SURE NO WIRES ARE PINCHED BETWEEN THE WALL AND FIXTURE.



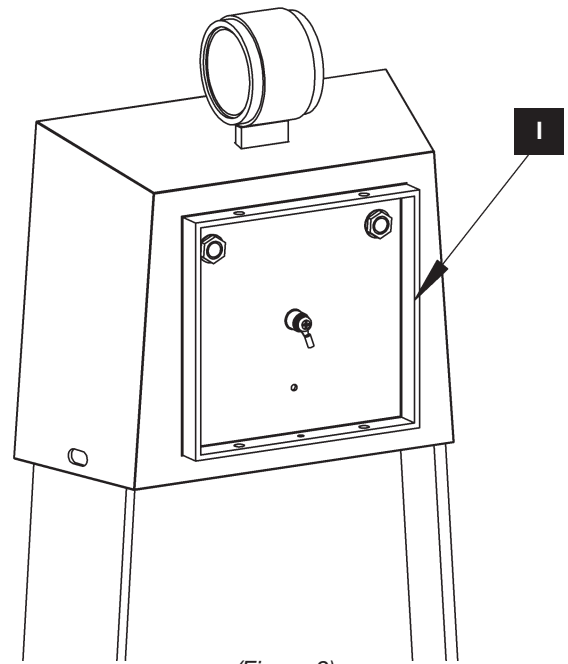
ASSEMBLY & INSTALLATION INSTRUCTIONS

B531

Revere Outdoor Sconce Large 302040



(Figure 1)



(Figure 2)



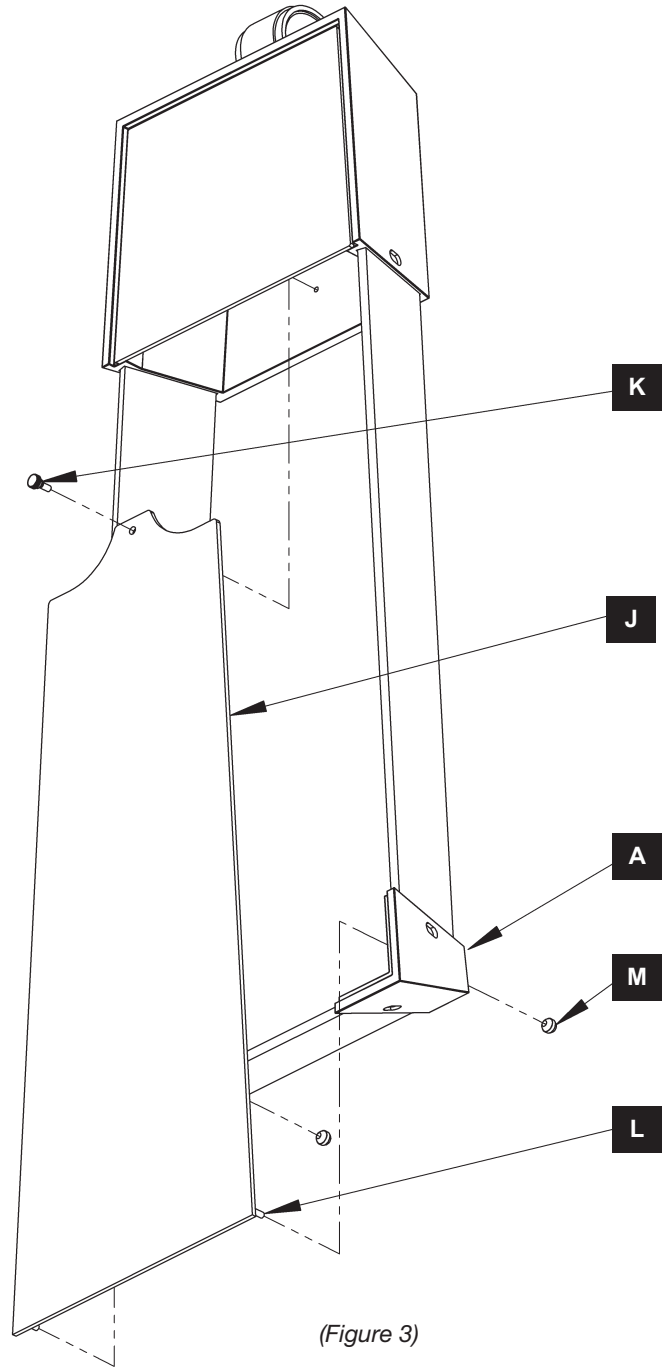
HUBBARDTON FORGE.

MODERN AMERICAN BLACKSMITHS | FINE, HAND CRAFTED LIGHTING
CASTLETON, VERMONT USA | HUBBARDTONFORGE.COM

Revere Outdoor Sconce Large 302040

Complete Install *(Figure 3)*

1. Locate accent plate (J).
2. Place studs (L) on accent plate (J) through holes in fixture (A).
3. Thread knurled balls (M) onto each stud (L) to secure bottom of plate (J).
4. Thread thumb screw (K) into top of fixture (A) to secure top of plate (J)
5. Install bulbs (not included).
6. Restore electricity at main breaker.



If you need further assistance, or find that you are missing any parts, please contact the dealer from which you purchased this product. We hope you enjoy your fixture!

**** Hubbardton Forge will not be liable for injury or damage caused by improper installation, lamping or use of this fixture.***