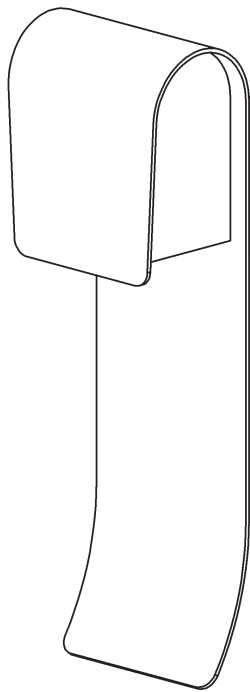


ASSEMBLY & INSTALLATION INSTRUCTIONS

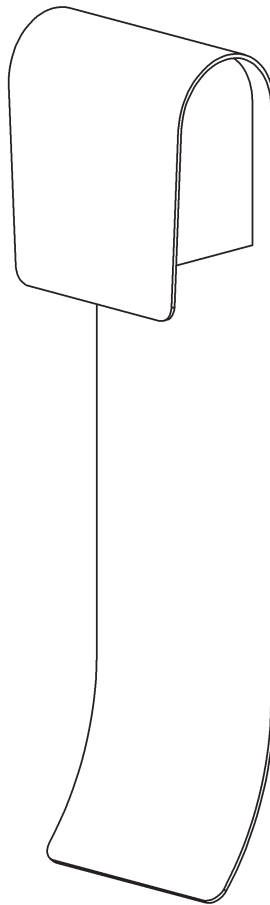
B537

Element Outdoor Sconce Small 302034, Medium 302035 & Large 302036

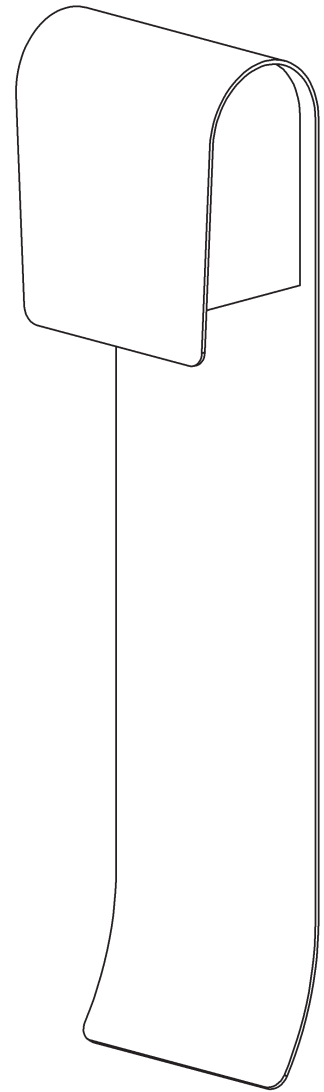


302034

Shown in Illustrations



302035



302036



HUBBARDTON FORGE.

Component Parts

- A Fixture**
- B Mounting Bracket**
- C Ground Screw**
- D Cupped Washer**
- E Caulking Lip**
- F #8 Screws (4)**
- G Rubber Washer (4)**
- H Socket**
- I Bulb (not included)**



ASSEMBLY & INSTALLATION INSTRUCTIONS

B537

Element Outdoor Sconce Small 302034, Medium 302035 & Large 302036

CAUTION: FAILURE TO INSTALL THIS FIXTURE PROPERLY MAY RESULT IN SERIOUS PERSONAL INJURY OR DEATH AND PROPERTY DAMAGE. We recommend installation by a licensed electrician. This product must be installed in accordance with applicable installation code(s), by a person familiar with the construction and operation of the product and the hazards involved.*

Caution: Do not exceed maximum wattage noted on fixture. Use only recommended bulbs with fixture.

Please Note: After installation extra hardware and accessories are possible; our kits are used on multiple products.

To Install Fixture (Figures 1 & 2 - on next page)

CAUTION: BE SURE POWER IS OFF AT THE MAIN BREAKER BOX PRIOR TO INSTALLATION.

1. Carefully unpack the fixture (A) from the carton.
2. Remove mounting bracket (B) from fixture (A).
3. Thread the wires in the electrical box through the hole in the mounting bracket (B) while moving the bracket into position. Using (2) machine screws (not provided), attach the bracket securely to the junction box.

NOTE: A NEW ELECTRIC BOX COMES WITH SCREWS. WHEN REPLACING A FIXTURE, RETAIN THE EXISTING SCREWS FOR USE WITH THE NEW FIXTURE.

4. Attach a pigtail lead to the mounting bracket (B) using the ground screw (C) and cupped washer (D) found in kit bag.
5. Hold fixture (A) close to wall. Using suitable wire connectors (not provided), connect fixture wires to supply wires (white to white and black to black). Connect all ground wires (bare copper or green to bare copper or green).

CAUTION: MAKE SURE WIRE CONNECTORS ARE TWISTED ON SECURELY, AND NO BARE WIRE IS EXPOSED.

6. Apply a generous bead of a suitable caulking material (not provided) to caulking lip (E) on the fixture (Figure 2).
7. Place fixture (A) over mounting bracket (B). Secure with #8 screw (F) and rubber washer (G) on each side.

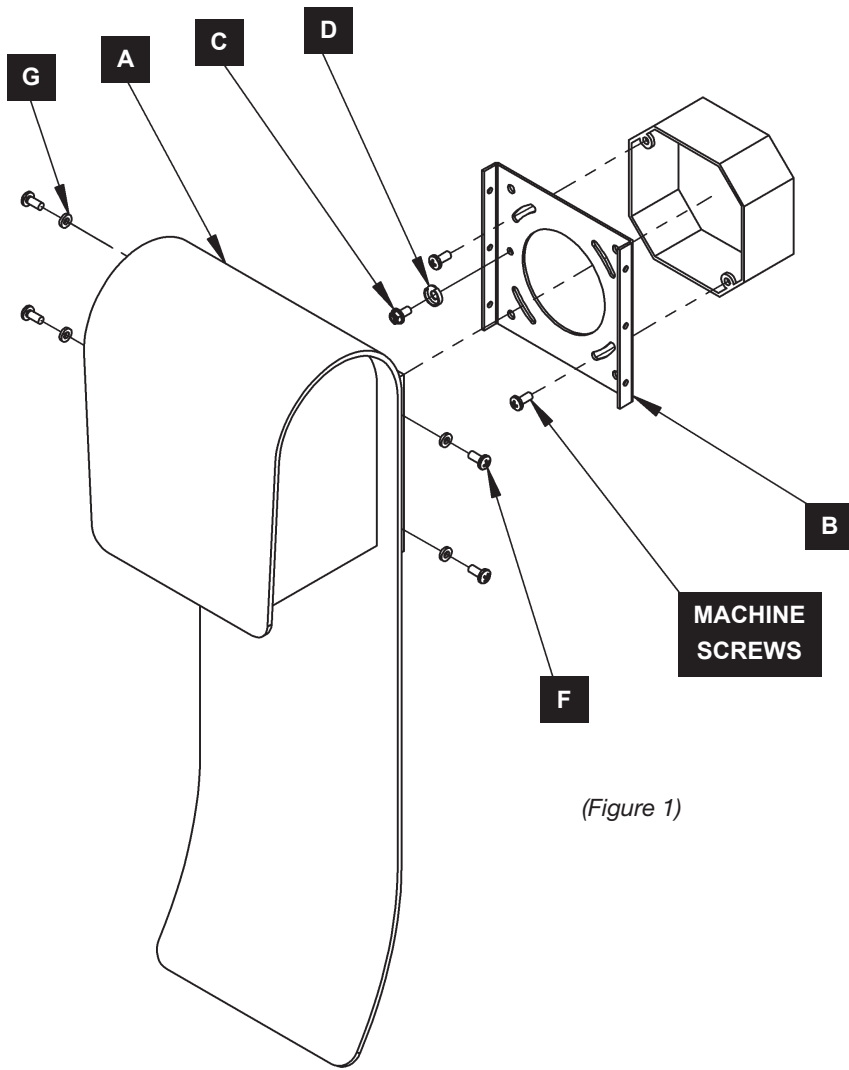
CAUTION: BE SURE NO WIRES ARE PINCHED BETWEEN THE WALL AND FIXTURE.

8. Follow steps on remaining pages to complete installation.

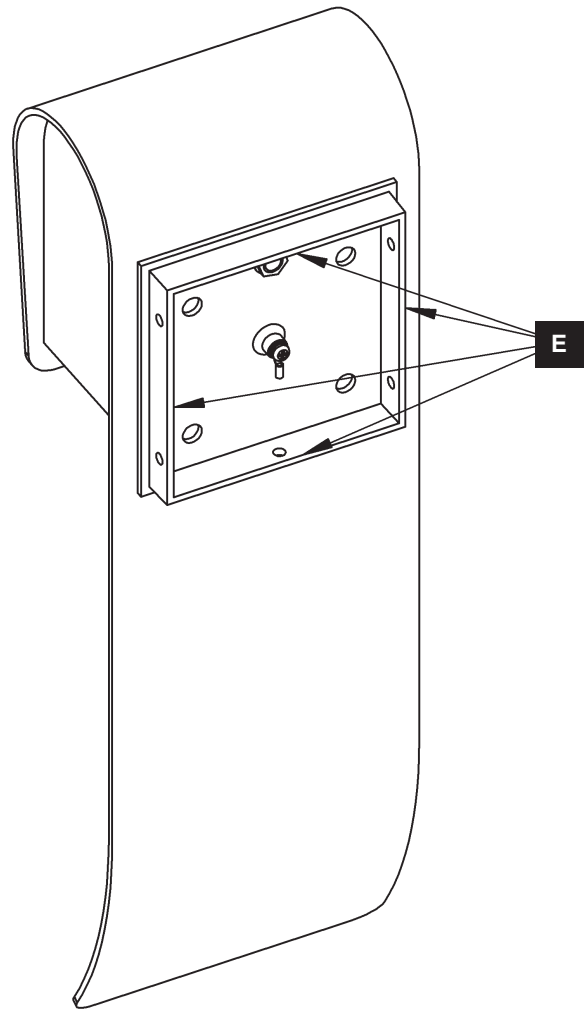
ASSEMBLY & INSTALLATION INSTRUCTIONS

B537

Element Outdoor Sconce Small 302034, Medium 302035 & Large 302036



(Figure 1)



(Figure 2)

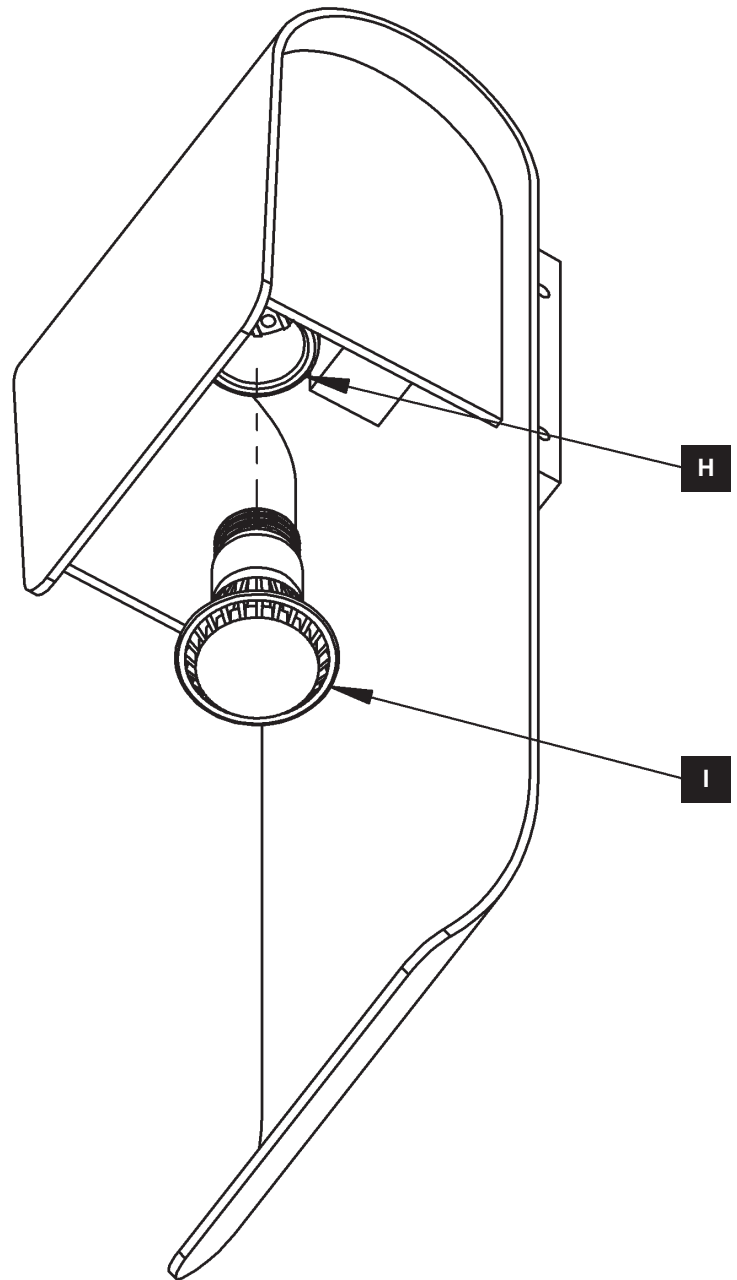
ASSEMBLY & INSTALLATION INSTRUCTIONS

B537

Element Outdoor Sconce Small 302034, Medium 302035 & Large 302036

To Install Bulb (I), not included, into socket (H).

1. Install bulb (I), not included, into socket (H).
2. Restore electricity at the main breaker



(Figure 3)

If you need further assistance, or find that you are missing any parts, please contact the dealer from which you purchased this product. We hope you enjoy your fixture!

*** Hubbardton Forge will not be liable for injury or damage caused by improper installation, lamping or use of this fixture.**