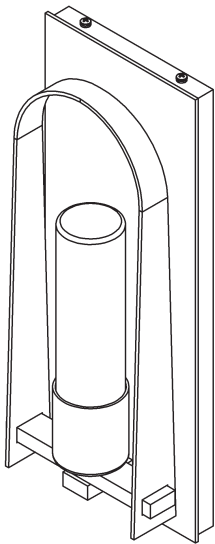


ASSEMBLY & INSTALLATION INSTRUCTIONS

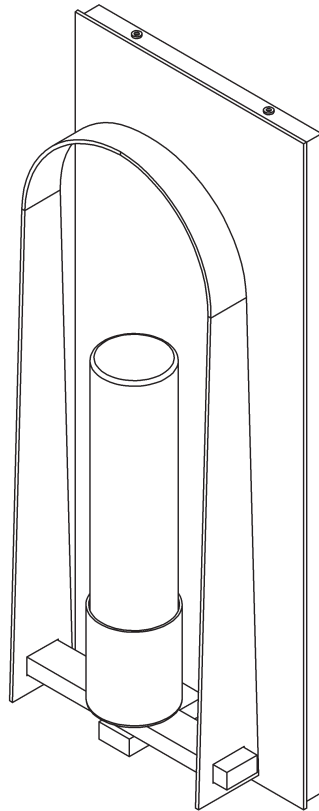
B528

Triomphe Outdoor Sconce Small 302030, Medium 302031 & Large 302032

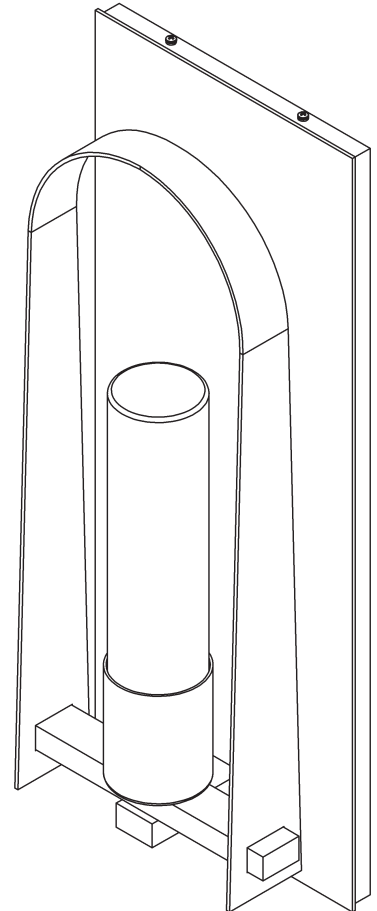


302030

Shown in Illustrations



302031



302032



HUBBARDTON FORGE.

MODERN AMERICAN BLACKSMITHS | FINE, HAND CRAFTED LIGHTING
CASTLETON, VERMONT USA | HUBBARDTONFORGE.COM

Component Parts

- A Fixture**
- B Mounting Bracket**
- C Anchors (6)**
- D #10 Screws (6)**
- E Ground Screw**
- F Cupped Washer**
- G Caulking Lip**
- H #8 Screws (4)**
- I Rubber Washer (4)**
- J Socket**
- K Fixture Cup**
- L Glass**
- M O-Ring (2)**



Triomphe Outdoor Sconce Small 302030, Medium 302031 & Large 302032

CAUTION: FAILURE TO INSTALL THIS FIXTURE PROPERLY MAY RESULT IN SERIOUS PERSONAL INJURY OR DEATH AND PROPERTY DAMAGE. We recommend installation by a licensed electrician. This product must be installed in accordance with applicable installation code(s), by a person familiar with the construction and operation of the product and the hazards involved.*

Caution: Do not exceed maximum wattage noted on fixture. Use only recommended bulbs with fixture.

To Install Fixture (Figures 1 & 2 - on next page)

1. Carefully unpack the fixture (A) from the carton.
2. Remove (4) #8 screws (H) holding mounting bracket (B) to the fixture (A). Retain screws (H) for step 10. Remove mounting bracket (B) from fixture (A).
3. Place the mounting bracket (B) over the electrical box being sure to hold it level. Line up holes in mounting bracket with holes in electrical box. With a pencil, mark the location of mounting holes in the mounting bracket on the wall behind. Set bracket aside.
4. Drill 1/4" holes in the locations marked on the wall. Place the tapered end of the anchors (C) into the holes and gently tap them flush to the wall using a light weight hammer.
5. Thread the wires in the electrical box through the hole in the mounting bracket (B) while moving the bracket into position. Using (2) #8 machine screws (not provided), attach the bracket securely to the junction box.
Note: A new electric box comes with screws. When replacing an existing fixture, retain screws for use with the new fixture
6. Using #10 screws (D), screw the bracket securely to the wall. Be careful not to over-tighten or strip the anchors (C).
7. Attach a pigtail lead to the mounting bracket (B) using the ground screw (E) and cupped washer (F) found in kit bag.
8. Hold fixture (A) close to wall. Using suitable wire connectors (not provided), connect fixture wires to supply wires (one fixture wire to the negative supply wire and one fixture wire to the positive supply wire). Connect all ground wires (bare copper or green to bare copper or green).

CAUTION: MAKE SURE WIRE CONNECTORS ARE TWISTED ON SECURELY, AND NO BARE WIRE IS EXPOSED.

9. Apply a generous bead of a suitable caulking material (not provided) to caulking lip (G) on the fixture (Figure 2).
10. Place fixture (A) over mounting bracket (B). Secure with #8 screw (H) and rubber washer (I) on top and #8 screw (H) in bottom of fixture. Rubber washer (I) can be found in the kit bag.

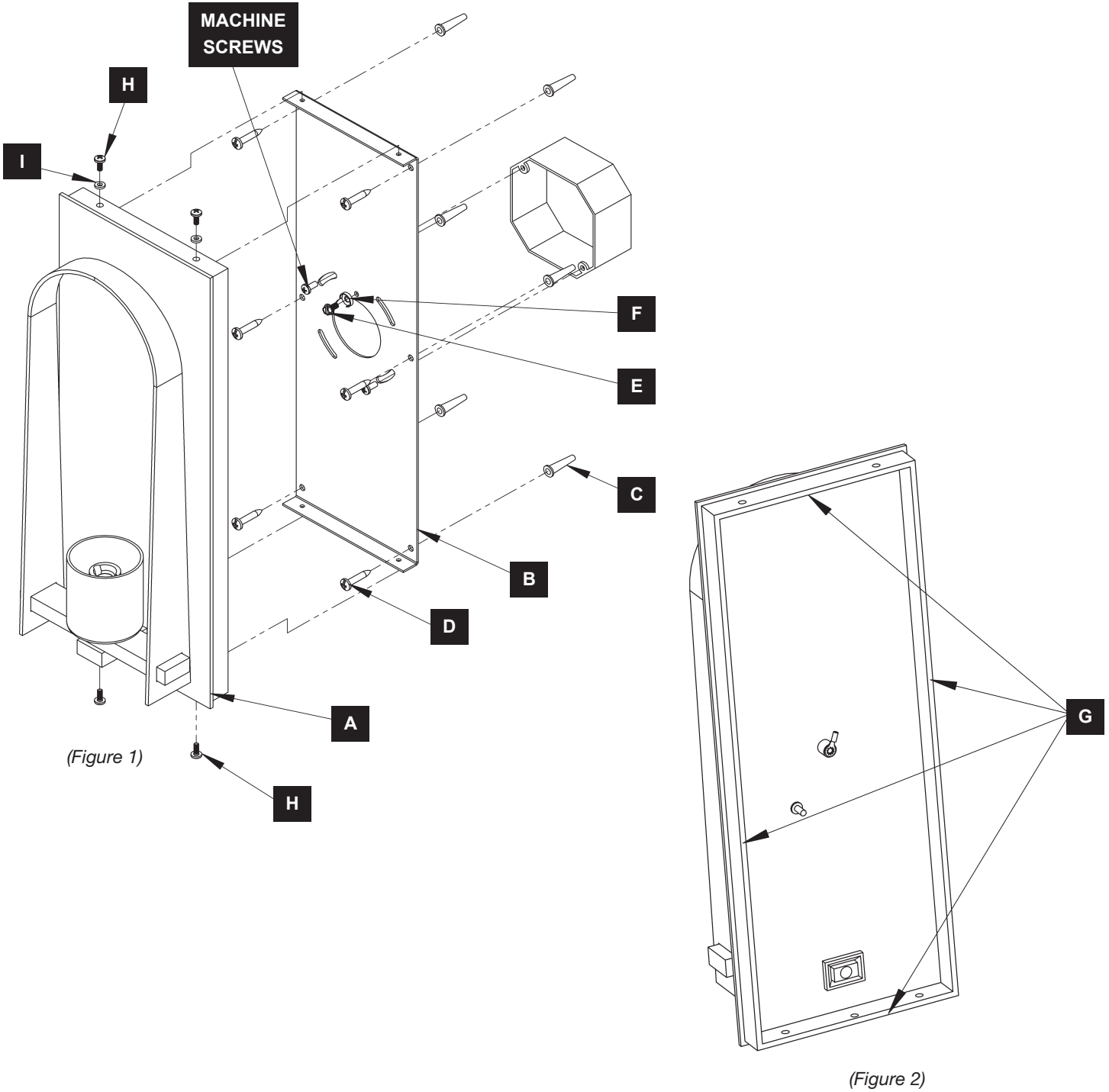
CAUTION: BE SURE NO WIRES ARE PINCHED BETWEEN THE WALL AND FIXTURE.

11. Follow steps on remaining pages to complete installation.

ASSEMBLY & INSTALLATION INSTRUCTIONS

B528

Triomphe Outdoor Sconce Small 302030, Medium 302031 & Large 302032

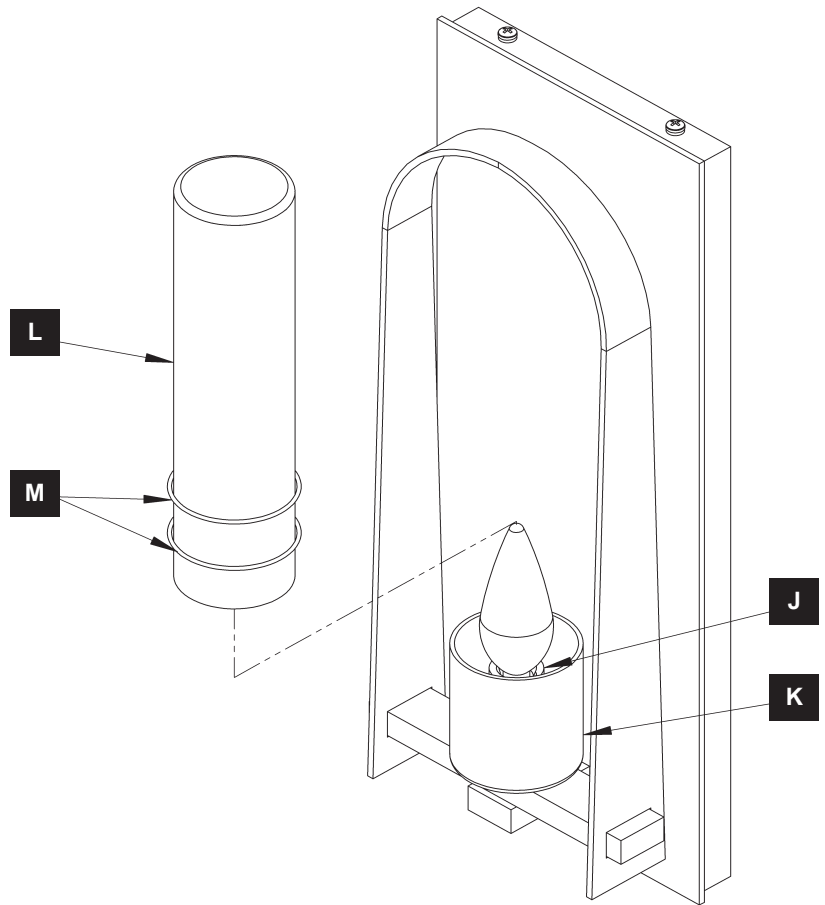


Install Glass (Figure 3)

1. Install bulb (not provided) into socket (J).
2. Slide two o-rings (M) onto the open end of glass (L).

Note: Slide first o-ring onto glass roughly one inch and the second can be close to the edge of the glass.

3. Slide glass (L) over bulb and into fixture cup (K).
4. Continue to press glass (L) into fixture cup (K) until both o-rings (P) are inside of fixture cup (K) and glass (L) has bottomed out in the cup (K).
5. Restore electricity at main breaker.



(Figure 3)

If you need further assistance, or find that you are missing any parts, please contact the dealer from which you purchased this product. We hope you enjoy your fixture!

*** Hubbardton Forge will not be liable for injury or damage caused by improper installation, lamping or use of this fixture.**