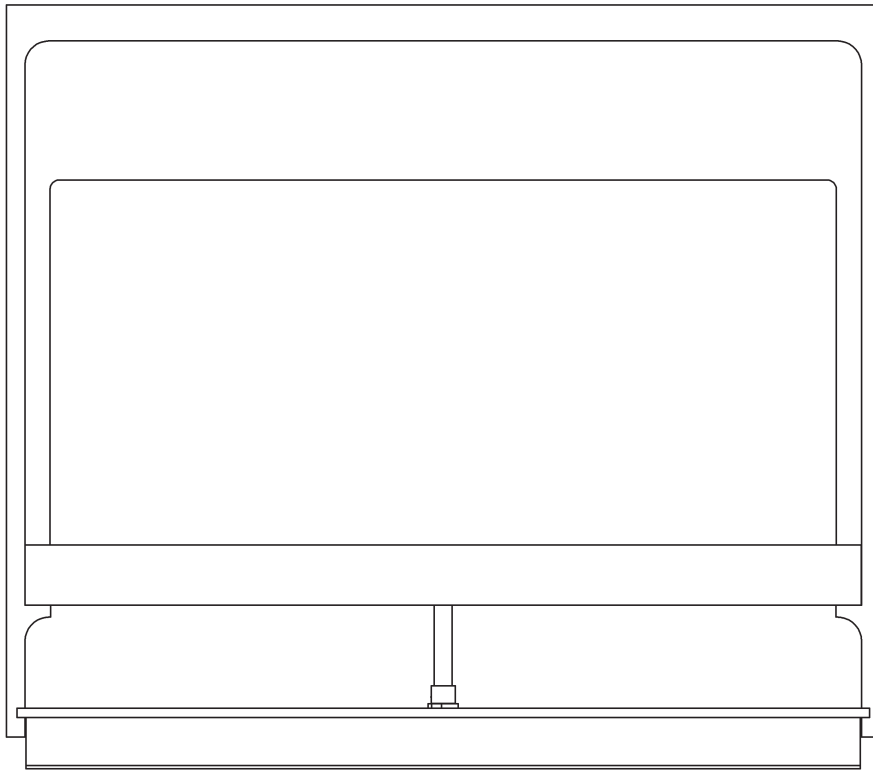


# ASSEMBLY & INSTALLATION INSTRUCTIONS

C98

272113 Serenity Table Lamp

---



HUBBARDTON FORGE.

MODERN AMERICAN BLACKSMITHS | FINE, HAND CRAFTED LIGHTING  
CASTLETON, VERMONT USA | HUBBARDTONFORGE.COM

# ASSEMBLY & INSTALLATION INSTRUCTIONS

C98

272113 Serenity Table Lamp

---

## Component Parts

- A**      **Fixture**
- B**      **Glass**
- C**      **Bulb (2) (not included)**



HUBBARDTON FORGE.

MODERN AMERICAN BLACKSMITHS | FINE, HAND CRAFTED LIGHTING  
CASTLETON, VERMONT USA | HUBBARDTONFORGE.COM

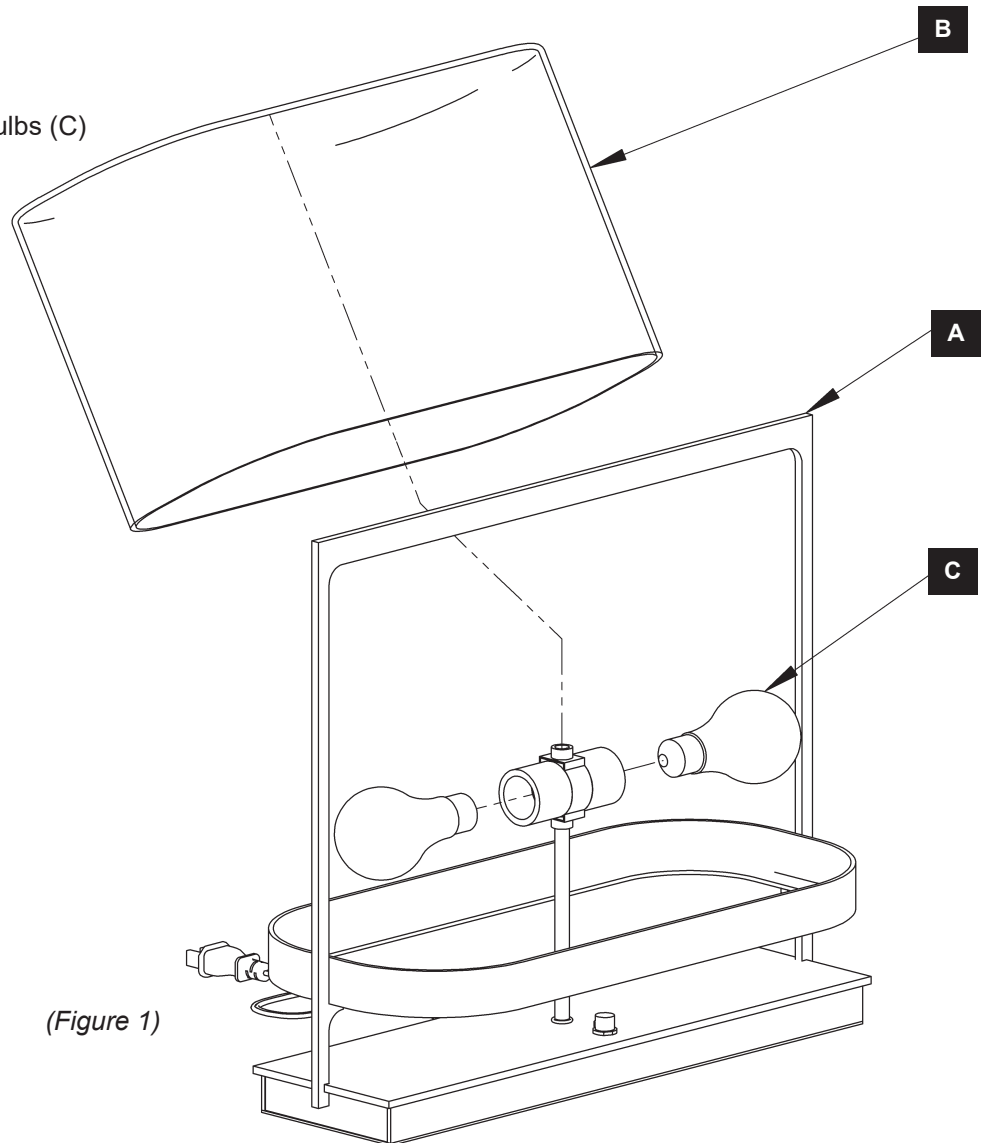
## 272113 Serenity Table Lamp

**CAUTION: FAILURE TO INSTALL THIS FIXTURE PROPERLY MAY RESULT IN SERIOUS PERSONAL INJURY OR DEATH AND PROPERTY DAMAGE.** We recommend installation by a licensed electrician. This product must be installed in accordance with applicable installation code(s), by a person familiar with the construction and operation of the product and the hazards involved.\*

**Caution:** Do not exceed maximum wattage noted on fixture. Use only recommended bulbs with fixture.

### Assemble Fixture (Figure 1)

1. Carefully unpack fixture from carton.
2. Locate glass (B).
3. Install bulbs (C), not included.
4. Slide glass assembly (B) over bulbs (C) center in fixture (A) frame.
5. Plug in power cord.



If you need further assistance, or find that you are missing any parts, please contact the dealer from which you purchased this product.  
We hope you enjoy your fixture!

\* Hubbardton Forge will not be liable for injury or damage caused by improper installation, lamping or use of this fixture.