

# ASSEMBLY & INSTALLATION INSTRUCTIONS

C111

Vertex Floor Lamp - 241103

---



## Component Parts

- A**      **Fixture**
- B**      **Arm**
- C**      **Screw**
- D**      **Washer**
- E**      **Tapped Plate**
- F**      **Slotted Plate**
- G**      **Handle**
- H**      **Bulb (*Not Included*)**
- I**      **Socket**
- J**      **Thumbscrews (2)**
- K**      **Shade**
- L**      **Glass**
- M**      **Rear glass tab (2)**
- N**      **Front glass tab (2)**



# ASSEMBLY & INSTALLATION INSTRUCTIONS

C111

Vertex Floor Lamp - 241103

**CAUTION: FAILURE TO INSTALL THIS FIXTURE PROPERLY MAY RESULT IN SERIOUS PERSONAL INJURY OR DEATH AND PROPERTY DAMAGE.** We recommend installation by a licensed electrician. This product must be installed in accordance with applicable installation code(s), by a person familiar with the construction and operation of the product and the hazards involved.\*

**Caution:** Do not exceed maximum wattage noted on fixture. Use only recommended bulbs with fixture.

## Lamp Assembly *(Figures 1 & 2 - following page)*

1. Carefully unpack fixture (A).
2. Fixture is shipped with arm (B) folded down. Turn handle (G) counter clock-wise to loosen.
3. Remove screw (C) and washer (D) from tapped plate (E) and retain for use in step 5.
4. Raise arm (B) so that tapped hole is aligned with slot in slotted plate (F).
5. Reinstall washer (D) and screw (C). Do not tighten screw (C) against slotted plate. Screw (C) is intended to limit the range of motion of arm (B) it is not intended to hold arm in location.
6. While holding arm (B) in desired location, firmly tighten handle (G)
7. Remove thumbscrews (J) from shade (K)
8. Install bulb (H), not included, into socket (I).
9. Slide small end of glass (L) into shade so that the glass (L) is sitting on the rear glass tabs (M)
10. Rotate glass up to meet front glass tabs (N). Glass should sit on outside of front glass tabs (N)
11. Reinstall thumbscrews (2), do not over tighten.
12. Plug in power cord.



HUBBARDTON FORGE.

MODERN AMERICAN BLACKSMITHS | FINE, HAND CRAFTED LIGHTING  
CASTLETON, VERMONT USA | HUBBARDTONFORGE.COM

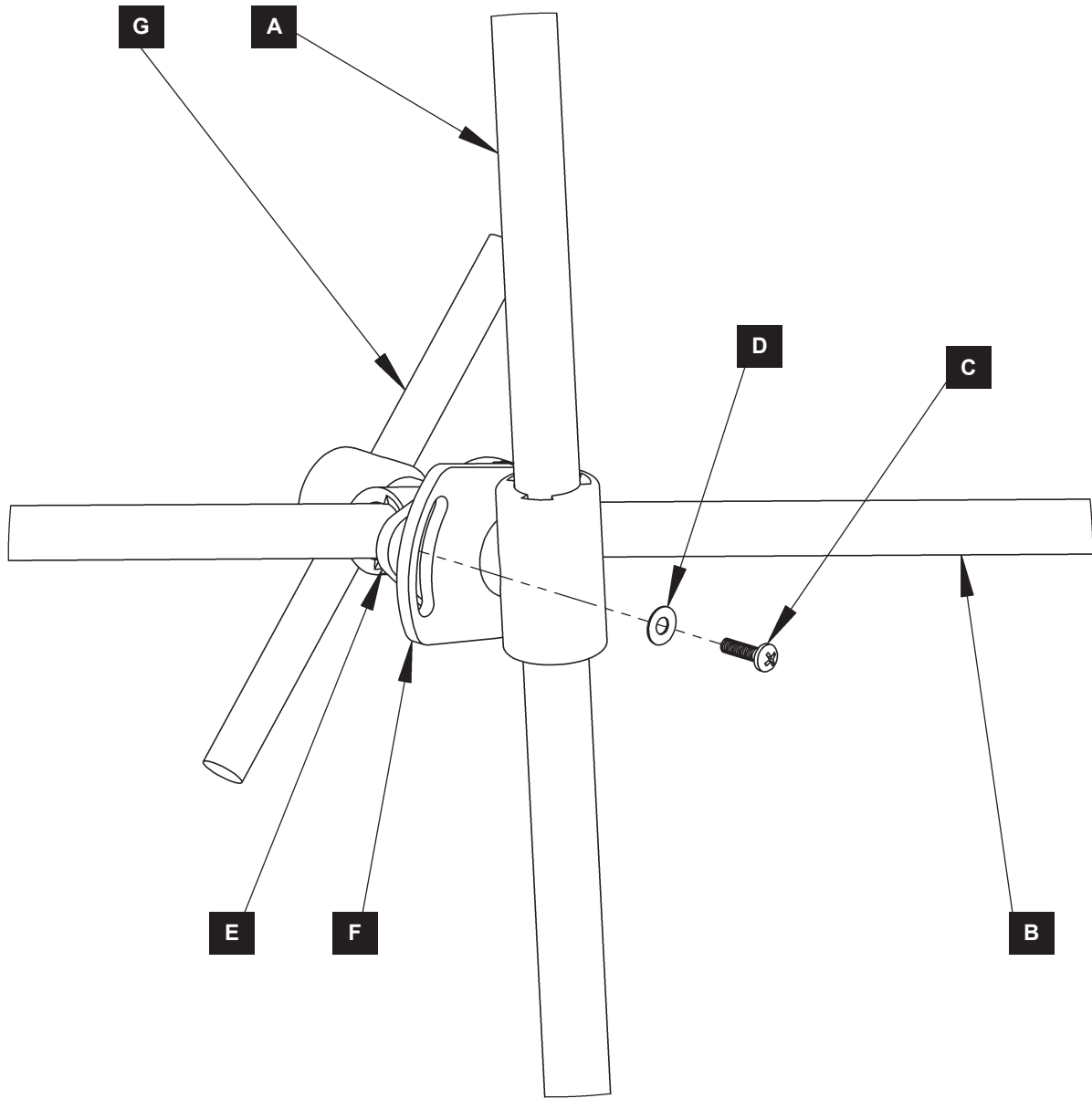
53832

3 OF 5

# ASSEMBLY & INSTALLATION INSTRUCTIONS

C111

Vertex Floor Lamp - 241103



(Figure 1)



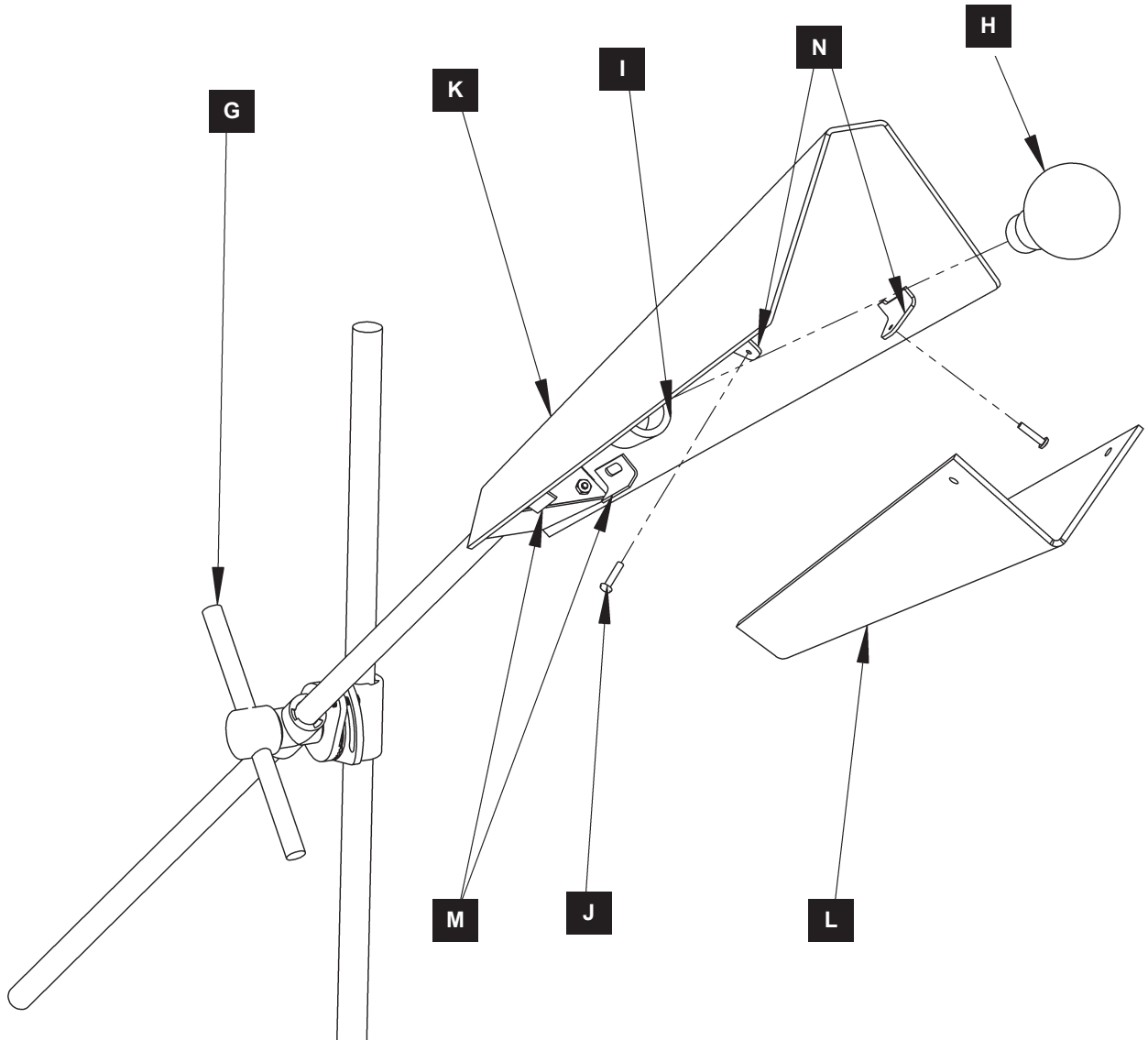
HUBBARDTON FORGE.

MODERN AMERICAN BLACKSMITHS | FINE, HAND CRAFTED LIGHTING  
CASTLETON, VERMONT USA | HUBBARDTONFORGE.COM

# ASSEMBLY & INSTALLATION INSTRUCTIONS

C111

Vertex Floor Lamp - 241103



(Figure 2)

If you need further assistance, or find that you are missing any parts, please contact the dealer from which you purchased this product. We hope you enjoy your fixture!

***\* Hubbardton Forge will not be liable for injury or damage caused by improper installation, lamping or use of this fixture.***



HUBBARDTON FORGE.

MODERN AMERICAN BLACKSMITHS | FINE, HAND CRAFTED LIGHTING  
CASTLETON, VERMONT USA | HUBBARDTONFORGE.COM