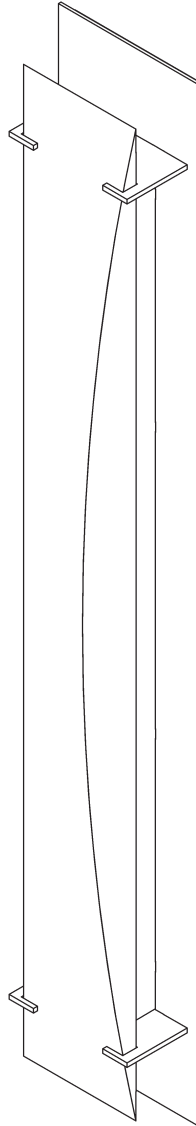


# ASSEMBLY & INSTALLATION INSTRUCTIONS

**B521**

Bento Sconce 205956

---



HUBBARDTON FORGE.

MODERN AMERICAN BLACKSMITHS | FINE, HAND CRAFTED LIGHTING  
CASTLETON, VERMONT USA | HUBBARDTONFORGE.COM

## Component Parts

<b>A</b>	<b>Fixture</b>
<b>B</b>	<b>Wall Mounting Bracket</b>
<b>C</b>	<b>8-32 Screws (6)</b>
<b>D</b>	<b>Anchors (8)</b>
<b>E</b>	<b>#10 Screws (8)</b>
<b>F</b>	<b>Support Cable (2)</b>
<b>G</b>	<b>Hex Nut (2)</b>
<b>H</b>	<b>Threaded Stud (2)</b>
<b>I</b>	<b>Threaded Standoff (3)</b>
<b>J</b>	<b>Shade</b>
<b>K</b>	<b>Plastic Rivet</b>
<b>L</b>	<b>Shade Bracket (2)</b>
<b>M</b>	<b>8-32 x 3/8" Black Screws (2)</b>



# ASSEMBLY & INSTALLATION INSTRUCTIONS

B521

Bento Sconce 205956

**CAUTION: FAILURE TO INSTALL THIS FIXTURE PROPERLY MAY RESULT IN SERIOUS PERSONAL INJURY OR DEATH AND PROPERTY DAMAGE.** We recommend installation by a licensed electrician. This product must be installed in accordance with applicable installation code(s), by a person familiar with the construction and operation of the product and the hazards involved.\*

**Caution:** Do not exceed maximum wattage noted on fixture. Use only recommended bulbs with fixture.

## Install Fixture (Figures 1 thru 3- on following pages)

1. Carefully unpack the fixture from the carton.
2. Remove six screws (C) from front of fixture (A) to release wall mounting bracket (B). See figure 1
3. Place fixture (A) and screws (C) somewhere safe for later use.

See figure 2

4. Place the wall mounting bracket (B) over the electrical box using one of the holes provided, being sure to hold it plum and level. With a pencil, mark the location of all mounting holes in the wall mount bracket on the wall behind.

**Important: Wall mounting bracket must be secured to a solid framing member in at least four locations. Do not depend on drywall anchors alone to support this fixture. If in doubt, contact a qualified electrician.**

**CAUTION: INSTALLER MUST ENSURE THAT THE MOUNTING METHOD IS CAPABLE OF SUPPORTING THE WEIGHT OF THE FIXTURE.**

5. Set aside the wall mounting bracket and drill 1/4" holes in the center locations marked on the wall. For holes using anchors, place the tapered end of the anchors (D) into the holes and gently tap them flush to the wall using a lightweight hammer.
6. Thread the wires in the electrical box through the hole in the wall mounting bracket (B) while moving the bracket into position. Using the 1" #10 screws (E), screw the bracket securely to the wall. Be careful not to over-tighten or strip the anchors.

See figure 3

7. Hold the fixture (A) close to the wall mounting bracket (B) and attach the two support cables (F) from the fixture (A) to the two threaded studs (H) on wall mounting bracket (B) using the hex nuts (G). Cables are used to support fixture while wiring.
8. Using suitable wire connectors (not provided) connect fixture wires to supply wires (white to white & black to black.). Connect all ground screws (bare copper or green to bare copper or green).
9. Carefully tuck all wires behind the fixture (A) and inside the wall mounting bracket (B) and place the fixture over the bracket so the holes match the threaded standoffs (I) protruding from the wall mounting bracket (B). Secure the fixture by threading the 8-32 screws (C) through the holes in the fixture (A) and into the wall mounting bracket (B).
10. See instructions on next page to install shade.

**Caution:** Be sure no wires are pinched between the cover plate (B) and the canopy (A).



HUBBARDTON FORGE.

MODERN AMERICAN BLACKSMITHS | FINE, HAND CRAFTED LIGHTING  
CASTLETON, VERMONT USA | HUBBARDTONFORGE.COM

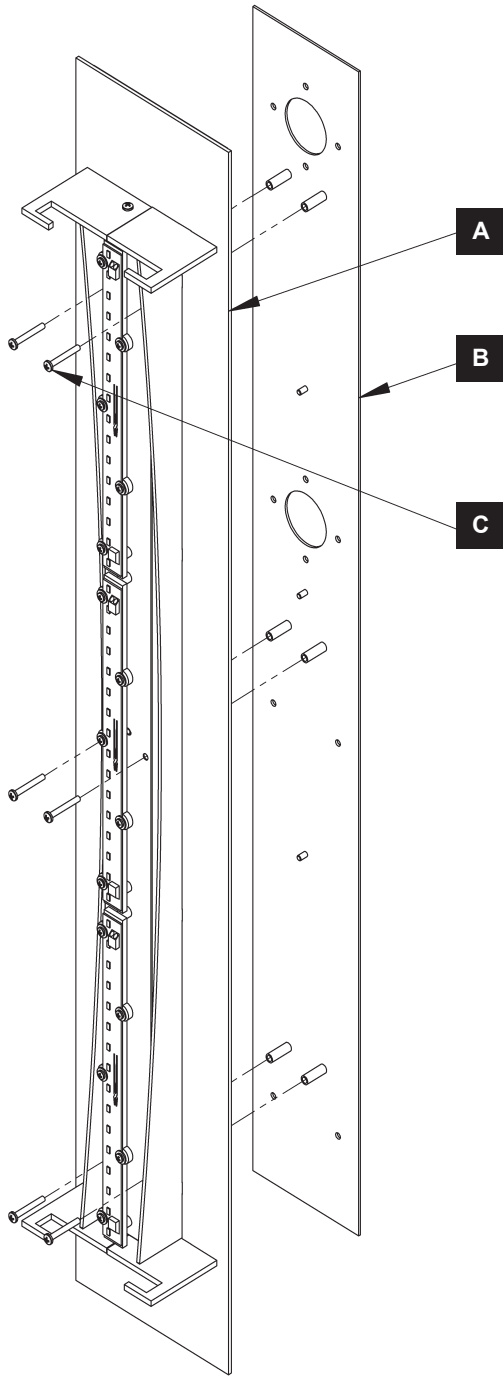
54011

3 OF 7

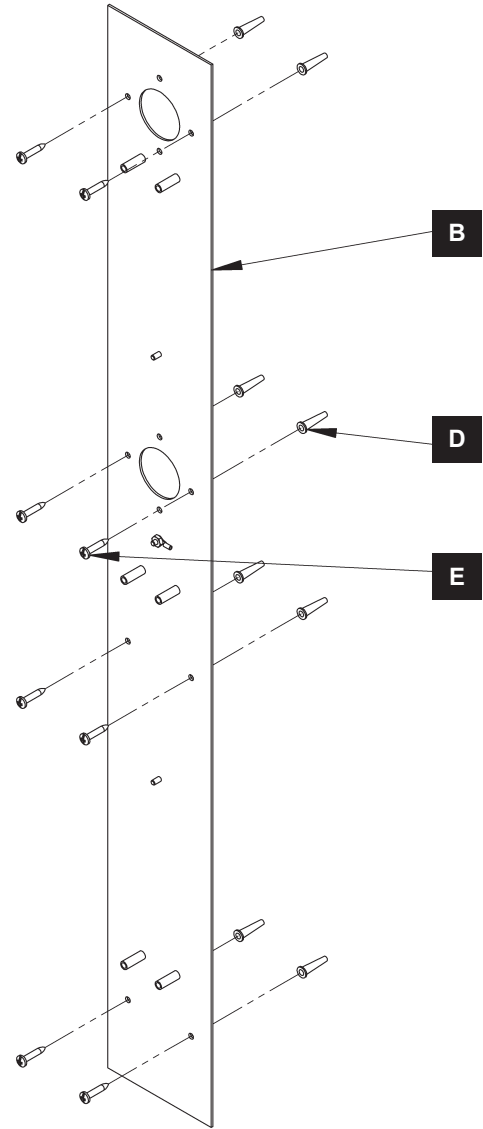
# ASSEMBLY & INSTALLATION INSTRUCTIONS

**B521**

Bento Sconce 205956



(Figure 1)



(Figure 2)



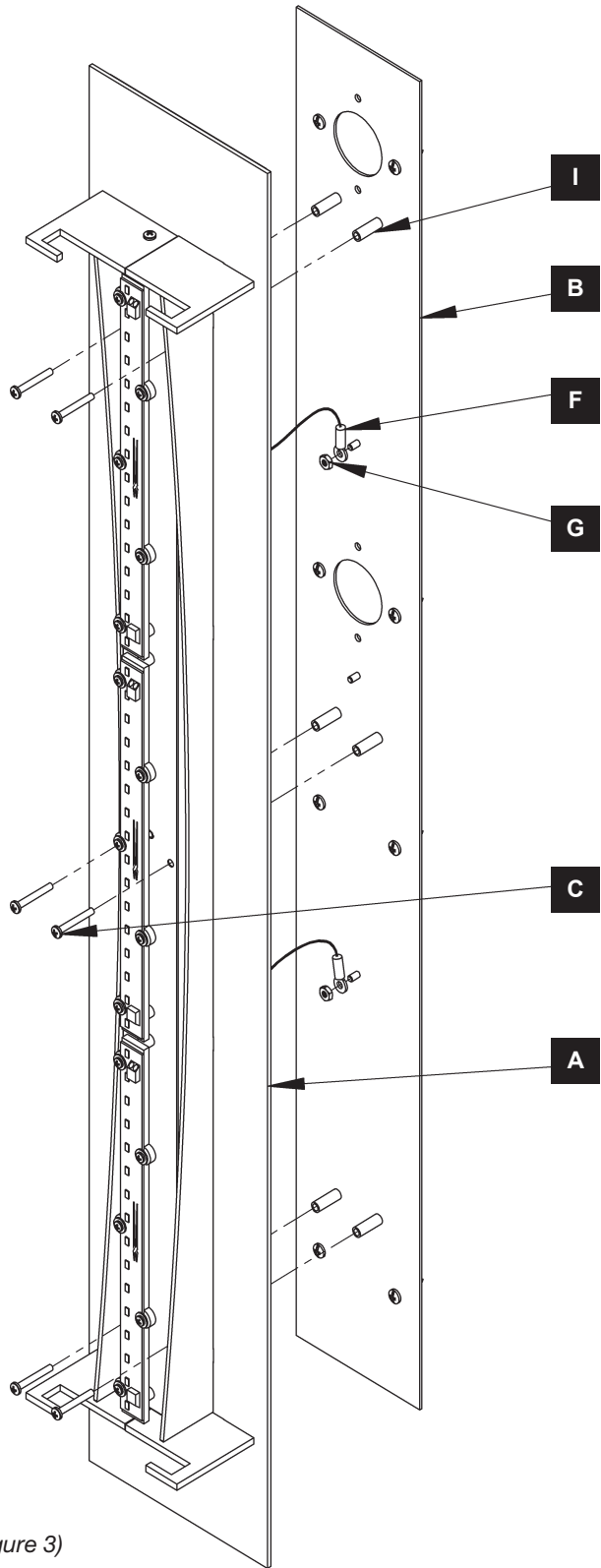
HUBBARDTON FORGE.

MODERN AMERICAN BLACKSMITHS | FINE, HAND CRAFTED LIGHTING  
CASTLETON, VERMONT USA | HUBBARDTONFORGE.COM

# ASSEMBLY & INSTALLATION INSTRUCTIONS

**B521**

Bento Sconce 205956



(Figure 3)



HUBBARDTON FORGE.

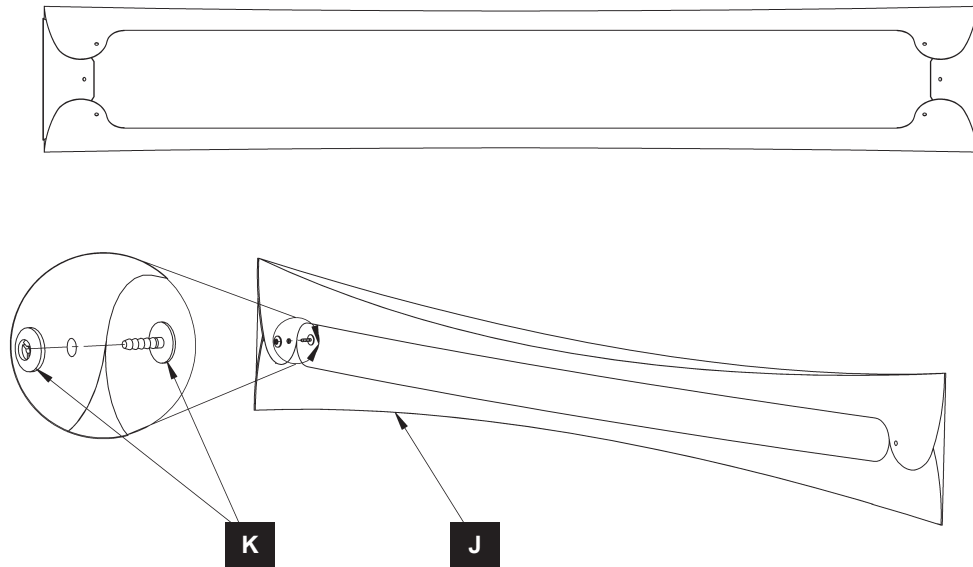
MODERN AMERICAN BLACKSMITHS | FINE, HAND CRAFTED LIGHTING  
CASTLETON, VERMONT USA | HUBBARDTONFORGE.COM

Bento Sconce 205956

## Install Shade (Figures 4 this page, 5 & 6 - on following page)

1. Carefully unpack the shade (J).  
See figure 4
2. Fold flaps (Figure 4) such that the three holes are aligned.
3. Insert plastic rivet (K) through the three holes and cap.
4. Repeat steps 2 & 3 for other side of shade (J).
5. Trim excess length of plastic rivet (K).
6. Remove both shade brackets (I) from fixture (A) by removing the black screws (J). Hold onto brackets (I) and screws (J) for later use. See figure 5
7. Place the shade (K) into the bracket slot of the fixture (A). Attach the shade brackets (I) with the black screws (J) to complete the shade installation. See figure 6

**Note: Shade edges may need to be creased slightly by hand for a proper fit.**



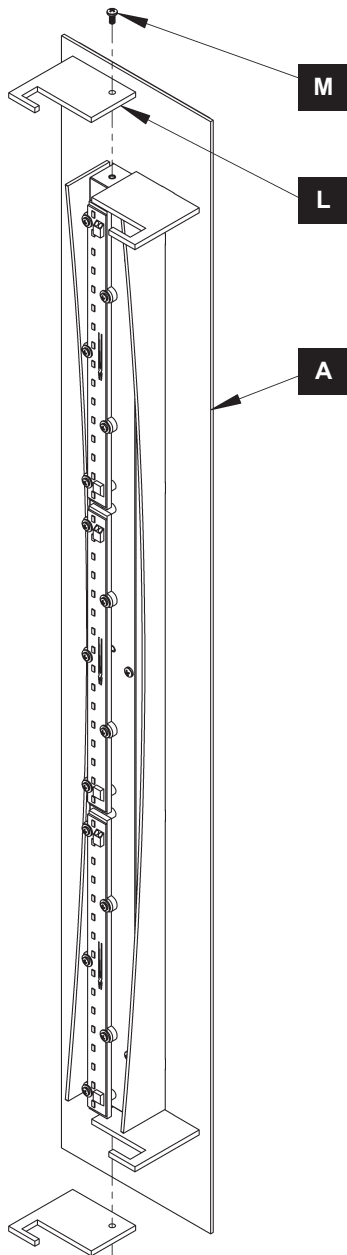
(Figure 4)



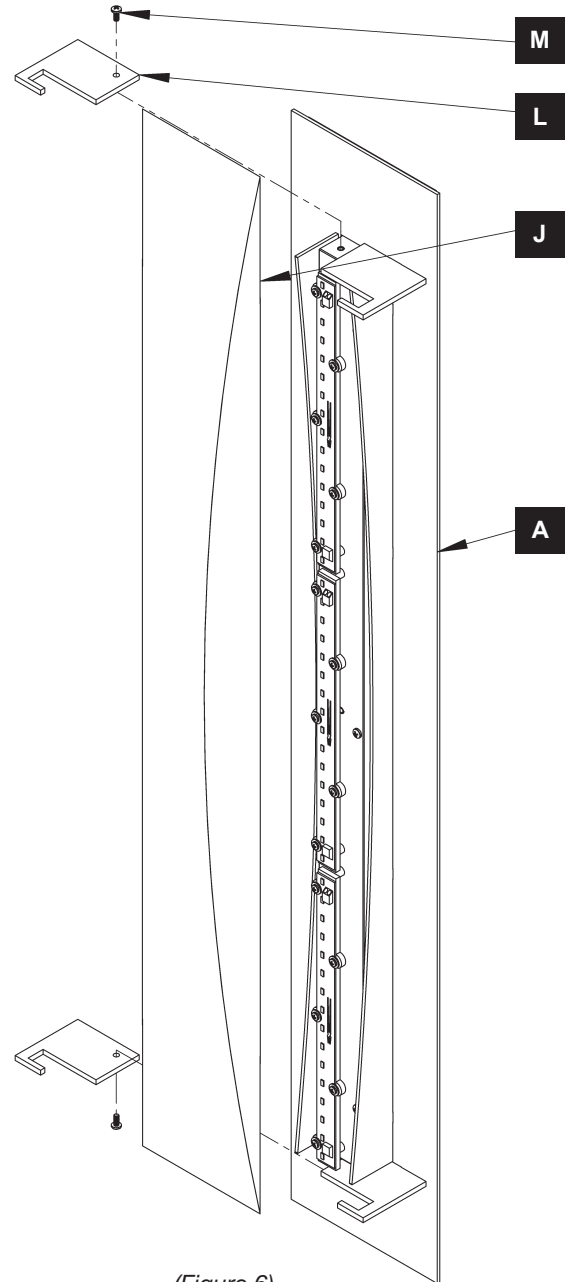
# ASSEMBLY & INSTALLATION INSTRUCTIONS

B521

Bento Sconce 205956



(Figure 5)



(Figure 6)

If you need further assistance, or find that you are missing any parts, please contact the dealer from which you purchased this product. We hope you enjoy your fixture!

**\* Hubbardton Forge will not be liable for injury or damage caused by improper installation, lamping or use of this fixture.**