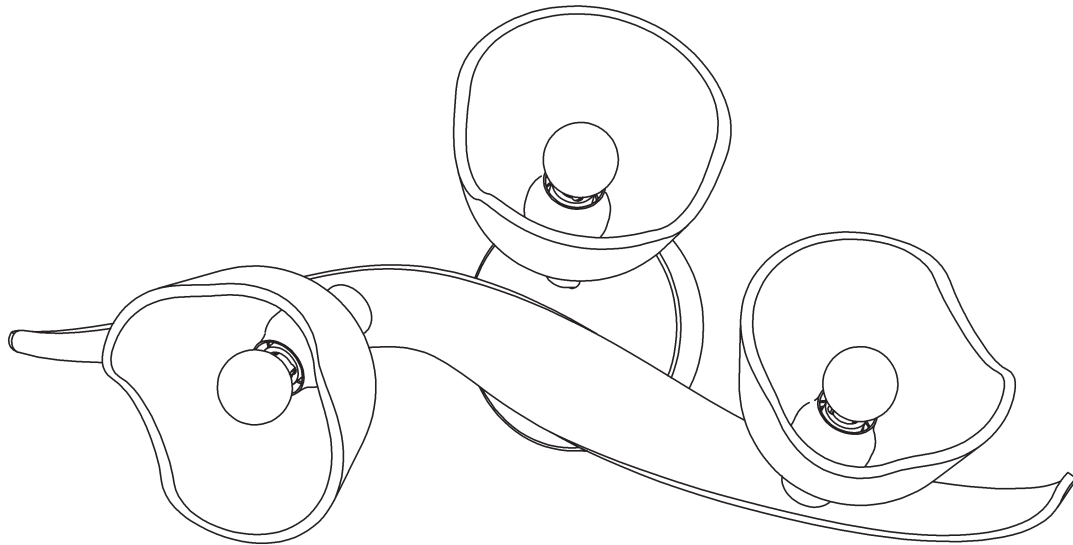


ASSEMBLY & INSTALLATION INSTRUCTIONS

Mika Sconce 201060

B533



Component Parts

- A Fixture**
- B Crossbar**
- C Ground Screw**
- D Cupped Washer**
- E #8 Screws (2)**
- F Socket (3)**
- G Glass (3)**
- H Cup (3)**
- I Ring Cover (3)**
- J Bulb (3) - *Not Included***



Mika Sconce 201060

CAUTION: FAILURE TO INSTALL THIS FIXTURE PROPERLY MAY RESULT IN SERIOUS PERSONAL INJURY OR DEATH AND PROPERTY DAMAGE. We recommend installation by a licensed electrician. This product must be installed in accordance with applicable installation code(s), by a person familiar with the construction and operation of the product and the hazards involved.*

Caution: Do not exceed maximum wattage noted on fixture. Use only recommended bulbs with fixture.

Install Fixture (Figure 1)

1. Be sure power is off at main breaker before starting install.
2. Carefully unpack the fixture (A) from the carton.
3. Using two machine screws (not provided) fasten the crossbar (B) to the electric box.

Note: A new electric box comes with screws. When replacing a fixture, retain the existing screws for use with the new fixture.

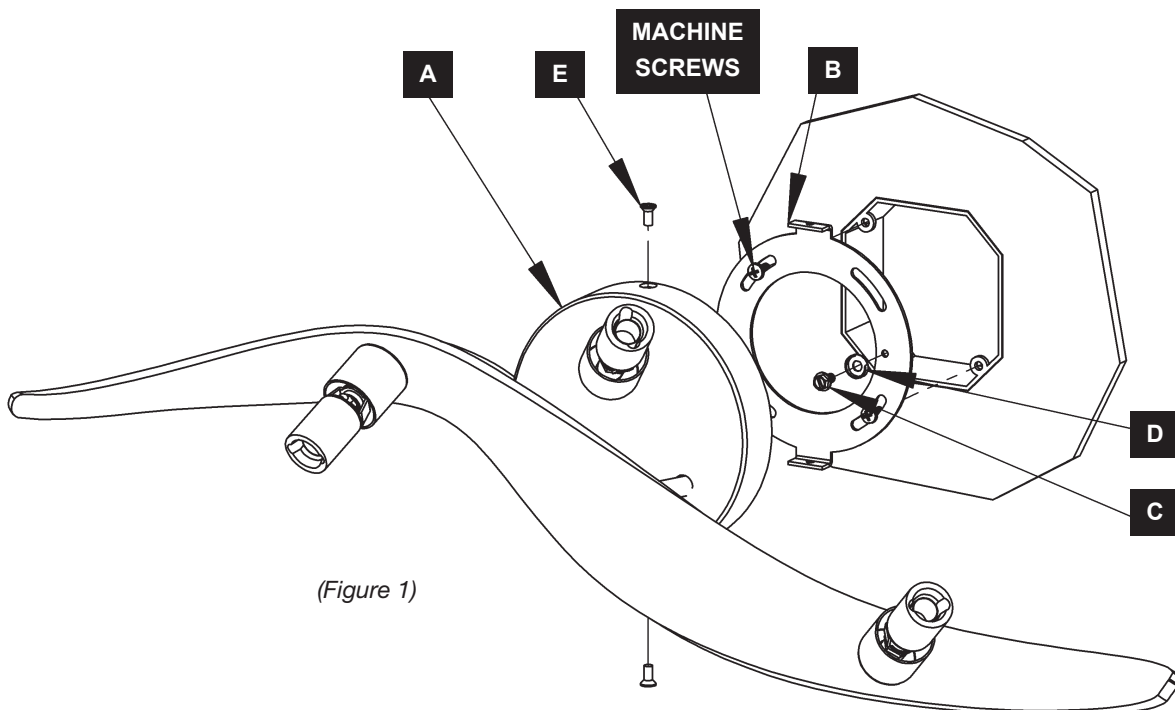
4. Hold fixture (A) close to wall. Using suitable wire connectors (not provided), connect fixture wires to supply wires (white to white and black to black). Attach a pigtail lead to the crossbar (B) using the cupped washer (D) and ground screw (C). Connect all ground wires (bare copper or green to bare copper or green).

CAUTION: MAKE SURE WIRE CONNECTORS ARE TWISTED ON SECURELY AND NO BARE WIRES ARE EXPOSED.

5. Place fixture (A) over crossbar (B). Secure with #8 screws (E).

CAUTION: BE SURE NO WIRES ARE PINCHED BETWEEN THE WALL AND FIXTURE.

6. Follow steps on next page to complete install.

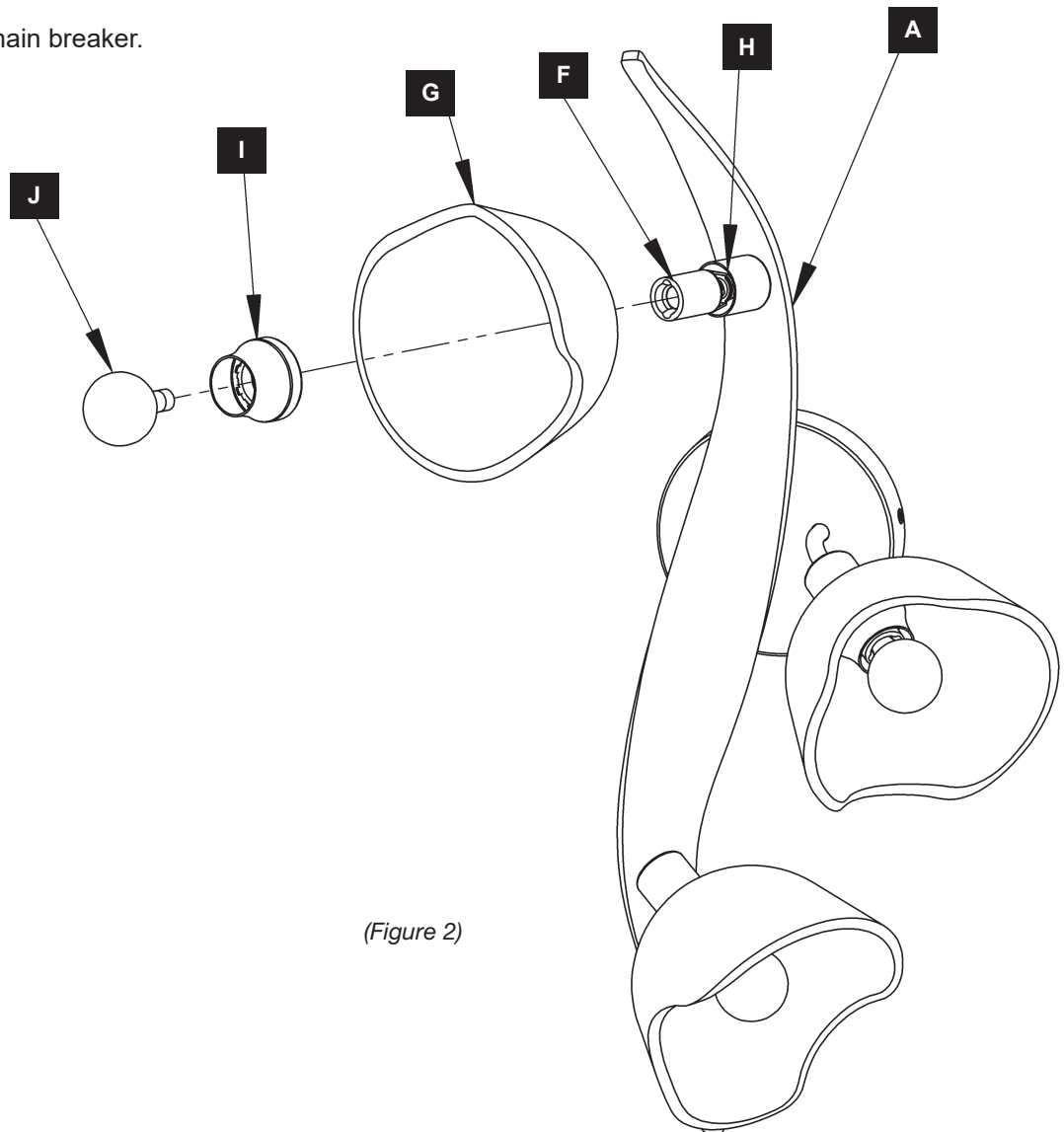


(Figure 1)

Mika Sconce 201060

Install Glass (Figure 2)

1. Carefully unpack glass (G).
2. Slide glass (G) over socket (F) and up to cup (H).
3. Thread ring cover (I) onto socket (F) and tighten against glass (G) to secure.
4. Install bulb (J), not included, into socket (F).
5. Repeat for remaining glass (G) and sockets (F).
6. Restore electricity at main breaker.



If you need further assistance, or find that you are missing any parts, please contact the dealer from which you purchased this product. We hope you enjoy your fixture!

** Hubbardton Forge will not be liable for injury or damage caused by improper installation, lamping or use of this fixture.*



HUBBARDTON FORGE.

MODERN AMERICAN BLACKSMITHS | FINE, HAND CRAFTED LIGHTING
CASTLETON, VERMONT USA | HUBBARDTONFORGE.COM