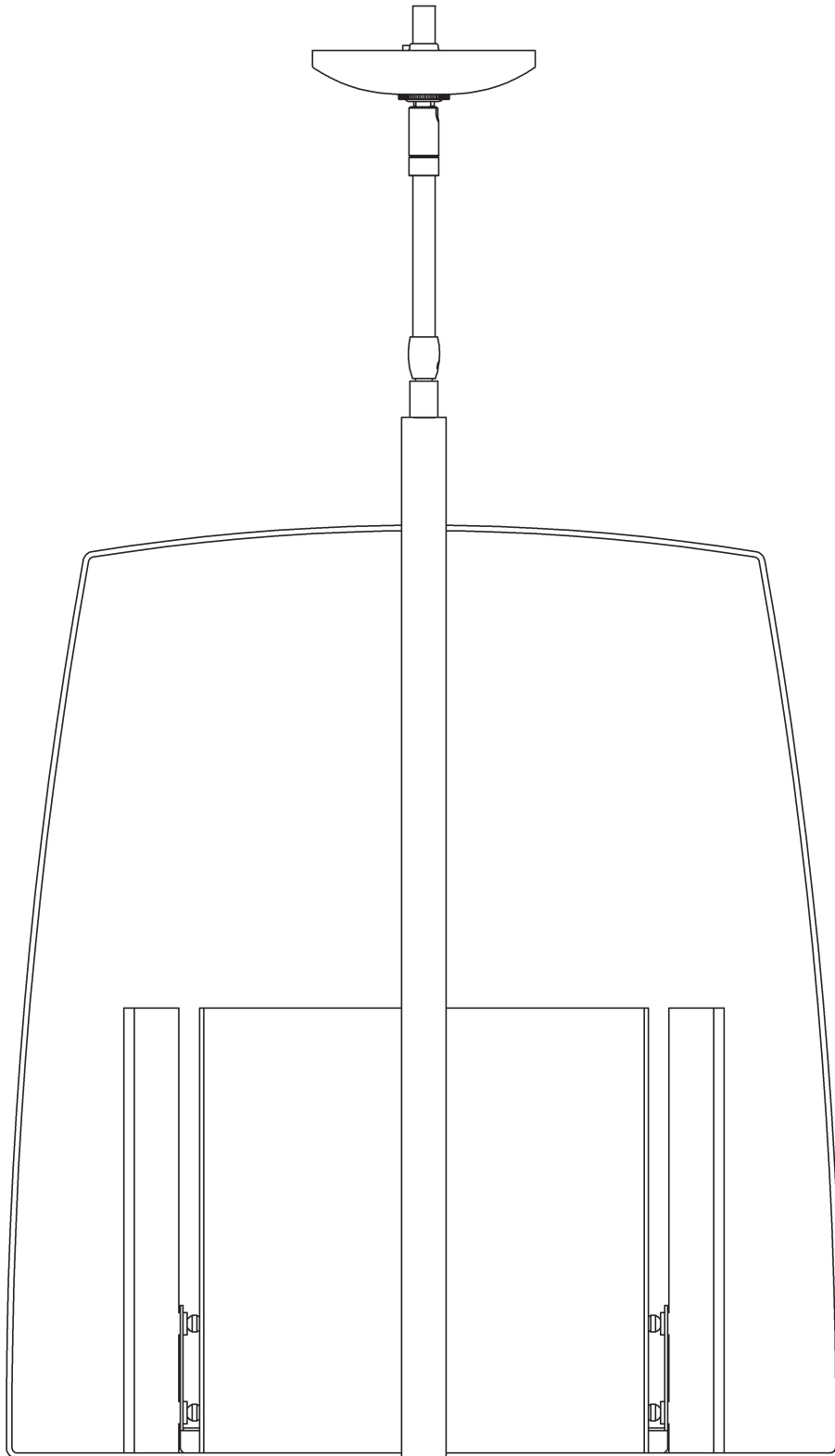


ASSEMBLY & INSTALLATION INSTRUCTIONS

A676

Arc Pendant 131310



Component Parts

- A. Fixture**
- B. Crossbar**
- C. Ground Screw**
- D. Jam Nut**
- E. Canopy**
- F. Canopy Ring**
- G. Canopy Pipe Assembly**
- H. Fixture Coupling**
- I. Nipple**
- J. Fixture Pipe**
- K. Clutch**
- L. Set Screw**
- M. Plastic Sleeve**
- N. Thumb Screw (8)**
- O. Glass (4)**
- P. Rubber Washer (16)**
- Q. Knurled Ball (8)**
- R. Bracket**



ASSEMBLY & INSTALLATION INSTRUCTIONS

A676

Arc Pendant 131310

CAUTION: FAILURE TO INSTALL THIS FIXTURE PROPERLY MAY RESULT IN SERIOUS PERSONAL INJURY OR DEATH AND PROPERTY DAMAGE. We recommend installation by a licensed electrician. This product must be installed in accordance with applicable installation code(s), by a person familiar with the construction and operation of the product and the hazards involved.*

Caution: Do not exceed maximum wattage noted on fixture. Use only recommended bulbs with fixture.

Please Note: After installation extra hardware and accessories are possible; our kits are used on multiple products.

To Install Fixture (Figures 1 & 2, next page)

CAUTION: BE SURE POWER IS OFF AT THE MAIN BREAKER BOX PRIOR TO INSTALLATION.

1. Carefully unpack fixture (A) from the carton.
2. Thread the jam nut (D) and crossbar (B) onto threaded nipple (I). Ground screw (C) on crossbar (B) should be pointed down. Leave parts loose. Threaded nipple is attached to canopy pipe assembly (G).
3. Using two machine screws (not provided), temporarily fasten the crossbar (B) to the electric box.
Note: A new electric box comes with screws. When replacing a fixture, retain the existing screws for use with the new fixture.
4. Adjust the length of the threaded nipple (I) in crossbar (B) so the canopy ring (F) will hold canopy (E) against the ceiling with no threads showing for best appearance. When the correct adjustment is established, tighten jam nut (D) against the crossbar (B) to hold adjustment.
5. Remove the crossbar (B) from the electrical box and proceed with assembly instructions.
6. Slide fixture pipe (J) over wires, threaded end first and thread into fixture coupling (H).
7. Carefully slide canopy ring (F) and canopy (E) over fixture pipe (J) until it rests on the fixture coupling (H). Make sure the smaller diameter side of canopy ring is oriented up.
8. Slide the wires from the fixture pipe (J) through the canopy pipe assembly (G).
9. Unscrew the clutch (K) from the canopy pipe assembly (G); slide it across the wires and onto the fixture pipe (J). It may be necessary to loosen the set screw (L) in the clutch (K). Follow this with the plastic sleeve (M), oriented so the tapered end nests in the clutch (K) (Figure 2).
10. Slide the canopy pipe assembly (G) into the fixture pipe (J) as far as necessary to give you the total length of the fixture which you desire. Be careful not to scratch the pipe surface and to pull excess wire up through the canopy pipe assembly (G). There must be a minimum 1-1/2" of inner pipe inside the outer pipe. Screw clutch (K) back onto canopy pipe assembly (G).
11. Tighten the set screw (L) in clutch (K) firmly with hex wrench provided.
12. Using two machine screws (not provided), fasten the crossbar (B) to the electric box.
13. Using suitable wire connectors (not provided) connect fixture wires to supply (white to white and black to black). Attach a pigtail lead to the crossbar ground screw (C). Holding canopy (E) close to the ceiling connect all ground wires (bare copper or green to bare copper or green). Push wires back into electrical box.

CAUTION: MAKE SURE WIRE CONNECTORS ARE TWISTED ON SECURELY AND NO BARE WIRE IS EXPOSED.

ASSEMBLY & INSTALLATION INSTRUCTIONS

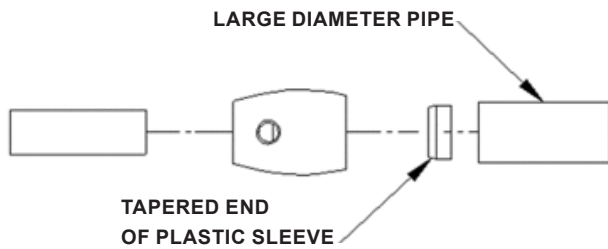
A676

Arc Pendant 131310

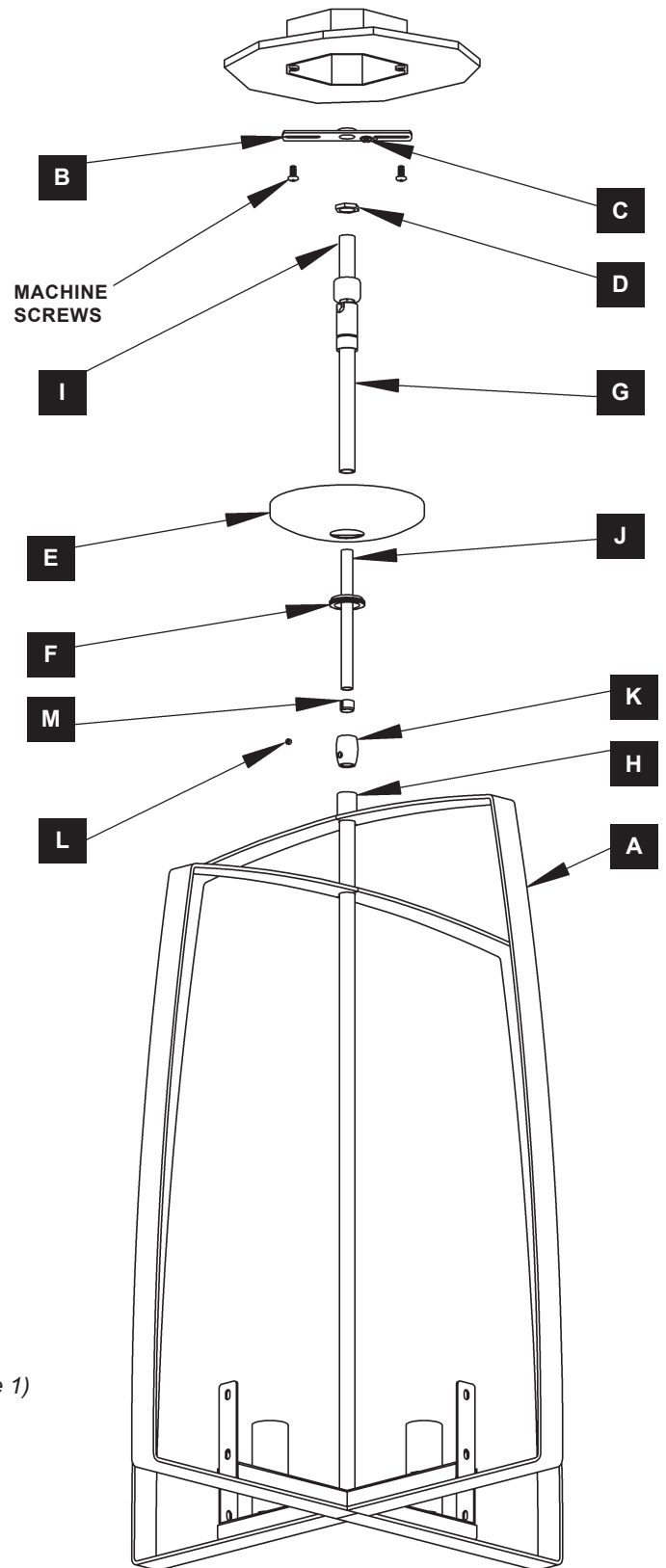
14. Push canopy (E) against ceiling and secure with canopy ring (F).

Note: Be sure no wires are pinched between the ceiling and the fixture.

15. See 'To Install Glass' on following page to complete installation.



(Figure 2)



(Figure 1)



HUBBARDTON FORGE.

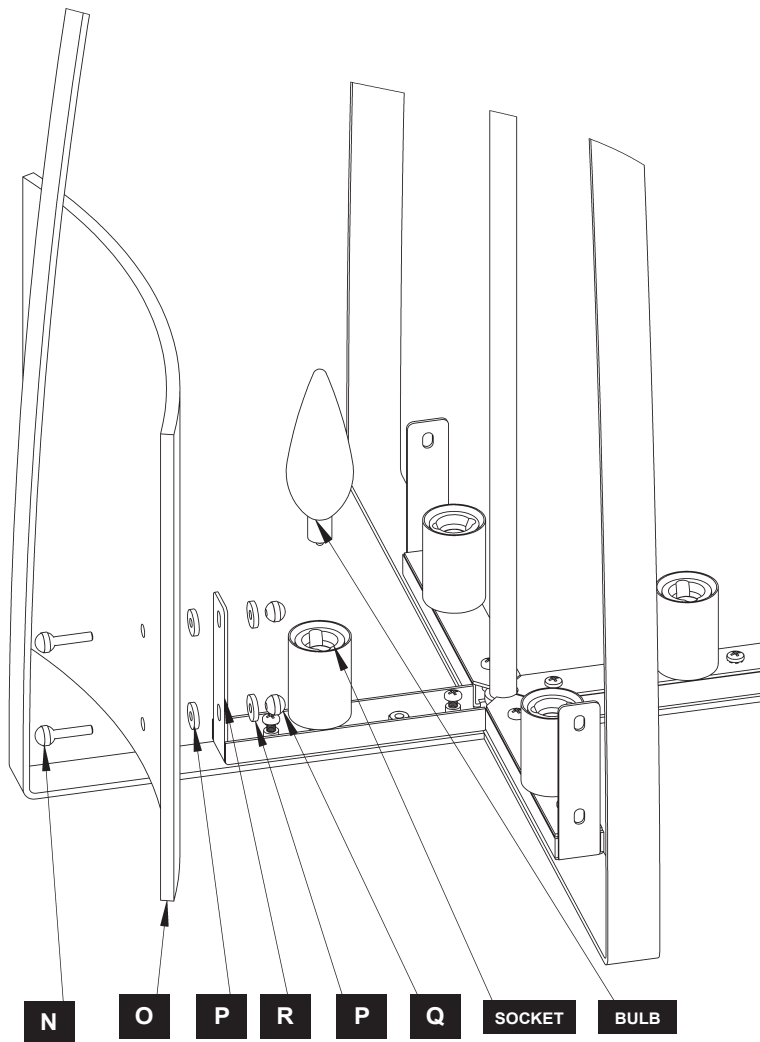
ASSEMBLY & INSTALLATION INSTRUCTIONS

A676

Arc Pendant 131310

To Install Glass (Figure 3)

1. Install bulbs (not included) into sockets.
2. Locate glass (O) and position it near the glass bracket (R). Slide thumb screw (N) through hole in glass, slide on one rubber washer (P) and slide thumb screw (N) through glass bracket (R). Slide on second rubber washer (P) and secure with knurled ball. Repeat for second hole in glass.
3. Repeat for remaining pieces of glass (O).
4. Restore electricity at main breaker.



(Figure 3)

If you need further assistance, or find that you are missing any parts, please contact the dealer from which you purchased this product. We hope you enjoy your fixture!

*** Hubbardton Forge will not be liable for injury or damage caused by improper installation, lamping or use of this fixture.**