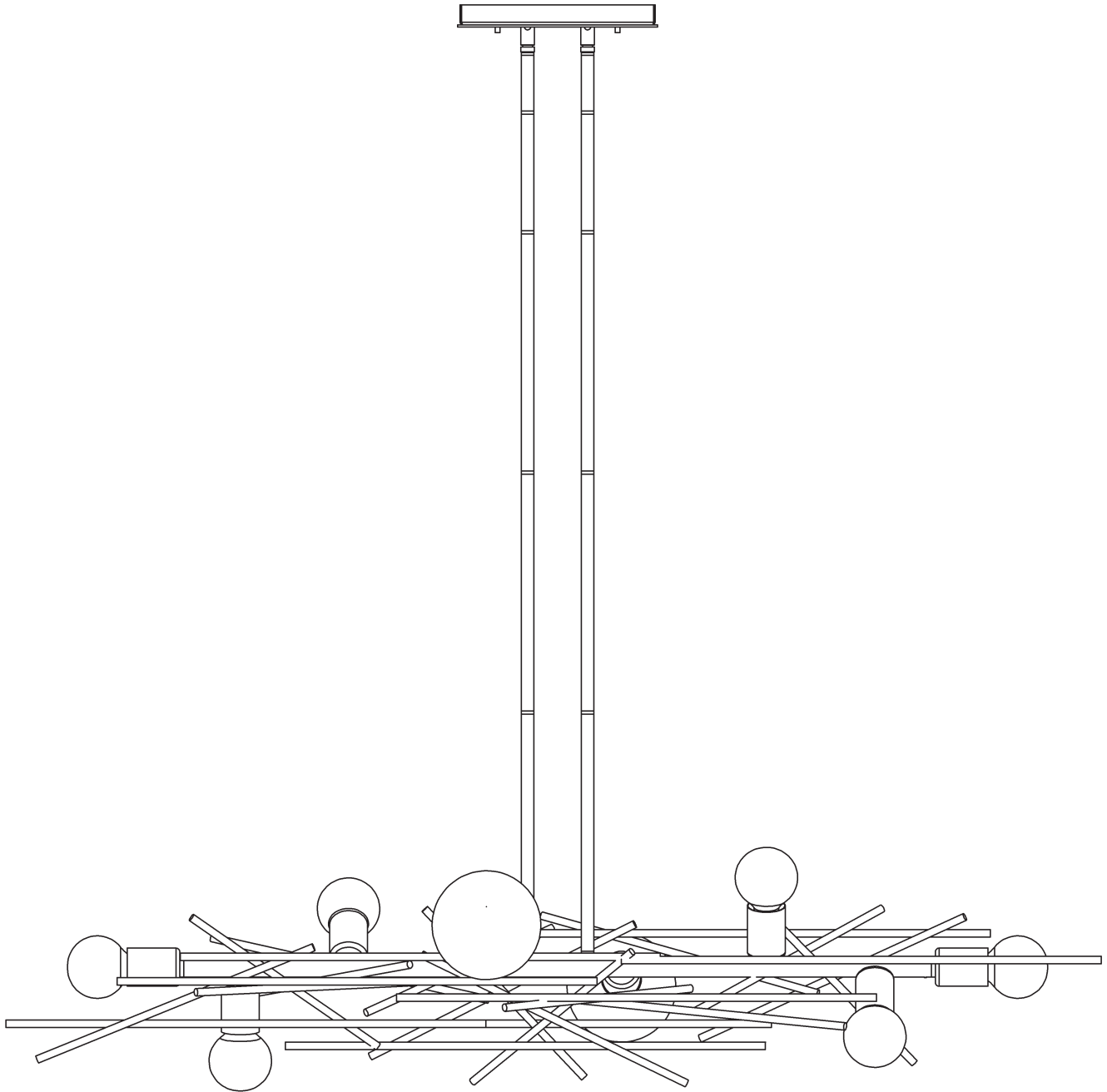


ASSEMBLY & INSTALLATION INSTRUCTIONS

A977

Linear Brindille Pendant 131087



HUBBARDTON FORGE.

MODERN AMERICAN BLACKSMITHS | FINE, HAND CRAFTED LIGHTING
CASTLETON, VERMONT USA | HUBBARDTONFORGE.COM

Component Parts

- A Fixture**
- B Mounting Bracket**
- C #10 Screws (4)**
- D Anchors (4)**
- E Canopy**
- F Swivel Bracket**
- G #8 Nut (4)**
- H Swivel (2)**
- I Stud (2)**
- J 3" Fixture Pipe (2)**
- K 6" Fixture Pipe (2)**
- L 12" Fixture Pipe (6)**
- M Stem Couplings (8)**
- N Nut (2)**
- O Washer (2)**
- P Barrel Knob (2)**
- Q Socket (10)**
- R G25 Bulb (6)**
- S G40 Bulb (2)**



ASSEMBLY & INSTALLATION INSTRUCTIONS

A977

Linear Brindille Pendant 131087

CAUTION: FAILURE TO INSTALL THIS FIXTURE PROPERLY MAY RESULT IN SERIOUS PERSONAL INJURY OR DEATH AND PROPERTY DAMAGE. We recommend installation by a licensed electrician. This product must be installed in accordance with applicable installation code(s), by a person familiar with the construction and operation of the product and the hazards involved.*

Caution: Do not exceed maximum wattage noted on fixture. Use only recommended bulbs with fixture.

Please Note: After installation extra hardware and accessories are possible due to our kits are used on multiple products and options.

To Install fixture (Figure 1 & 2) on following page

CAUTION: BE SURE POWER IS OFF AT THE MAIN BREAKER BOX PRIOR TO INSTALLATION.

- Carefully unpack canopy the carton. Center the mounting bracket (B) over the electrical box. Be sure to line up oval slots in bracket with mounting holes in electrical box. With a pencil, mark the location of all mounting holes in the mounting bracket (B) on the ceiling

CAUTION: Due to weight of fixture, be sure at least two #10 screws (C) attach mounting bracket (B) to a structural member in the ceiling. No anchors (D) will be needed in those locations. We've supplied wood screws with your fixture, however, different materials and/or construction methods may require different fasteners. If in doubt, contact a qualified electrician.

Caution: Do not rely on anchors alone to suspend fixture. Fixture must be attached to a structural member in the ceiling.

- Drill 1/4" holes in the locations marked on the ceiling. Place the tapered end of the anchors (D) into the holes and gently tap them flush to the ceiling using a light weight hammer.
- Thread the wires in the electrical box through the hole in the mounting bracket (B) while moving the canopy into position. Using two machine screws (not provided) fasten mounting bracket (B) to the electric box.

Note: A new electric box comes with screws. When replacing a fixture, retain the existing screws for use with the new fixture.

- Using the #10 screws (C), secure mounting bracket (B) securely to ceiling. Be careful not to over-tighten or strip anchors (D).
- Carefully unpack fixture from the carton.
- Locate fixture pipes (J,K,L), fixture (A), stem coupling (M). Stem couplings (M) can be found in the kit bag.
- Provided are multiple fixture pipes in three different lengths. Choose the combination that will achieve the overall height desired. Refer to the table below to determine the pipes required to reach the desired overall height. Once you have determined the components necessary, feed the wires that exit fixture (A) through the individual components. Wires will slip easier through loose components than through pipes and couplings that are pre-assembled. Once wires are run, apply thread locking compound to all the connection points and assemble the pipes and nipples.

		Overall Height of Fixture											
		21.3	24.3	27.3	30.3	33.3	36.3	39.3	42.3	45.3	48.3	51.3	54.3
# of Pipes Required	3" Pipe (J)		1		1		1		1		1		1
	6" Pipe (K)			1	1			1	1			1	1
	12" Pipe (L)	1	1	1	1	2	2	2	2	3	3	3	3

NOTE: APPLICATION OF THE THREAD LOCKING COMPOUND IS NECESSARY TO PREVENT THE PIPE FROM LOOSENING DURING REGULAR MAINTENANCE AND CLEANING OF THE FIXTURE. BE CERTAIN TO APPLY THE COMPOUND.

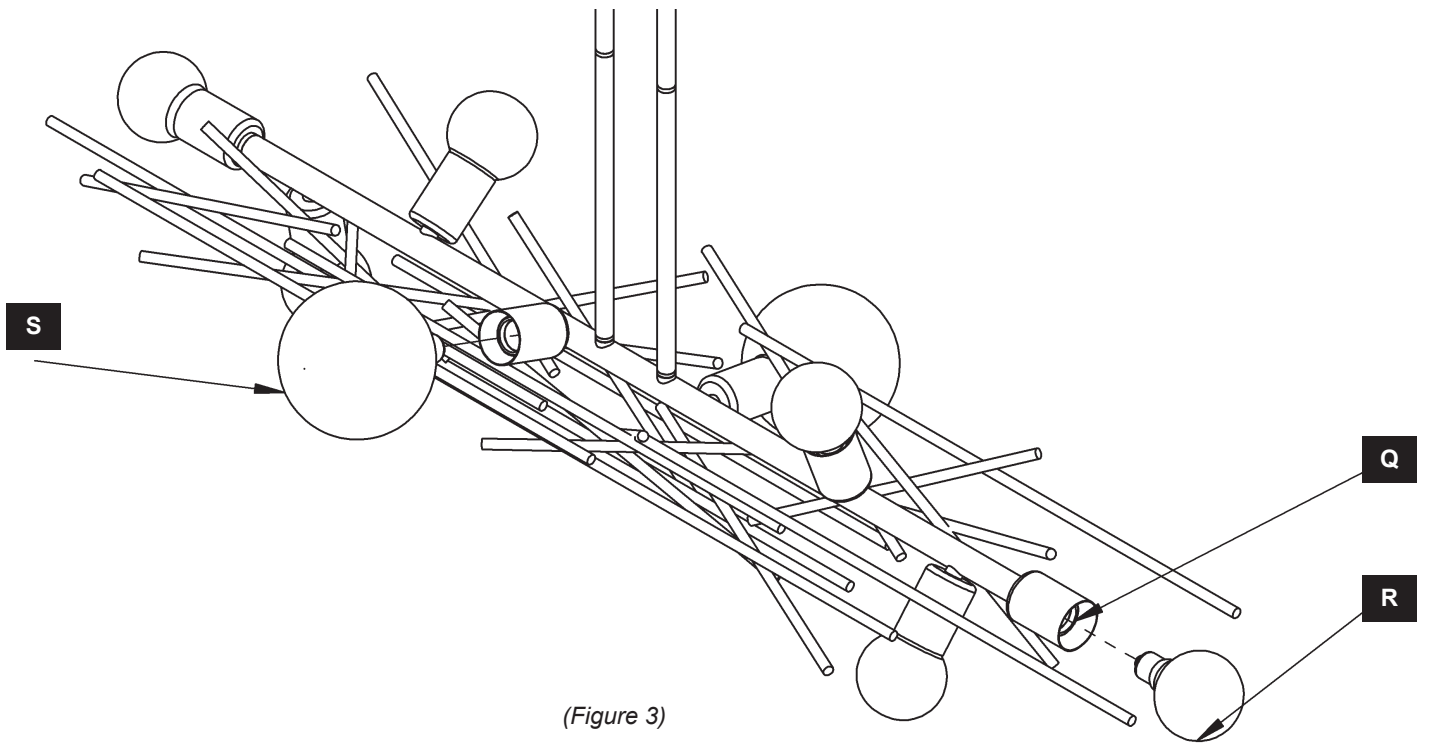
ASSEMBLY & INSTALLATION INSTRUCTIONS

A977

Linear Brindille Pendant 131087

To Install Bulb (Figure 3)

1. Refer to figure 3 and picture on first page of instruction for G25 (R) and G40 (S) bulb placement.
2. Install G25 bulbs (R) and G40 bulbs (S) into sockets (Q).
3. Restore electricity at main breaker.



If you need further assistance, or find that you are missing any parts, please contact the dealer from which you purchased this product. We hope you enjoy your fixture!

** Hubbardton Forge will not be liable for injury or damage caused by improper installation, lamping or use of this fixture.*