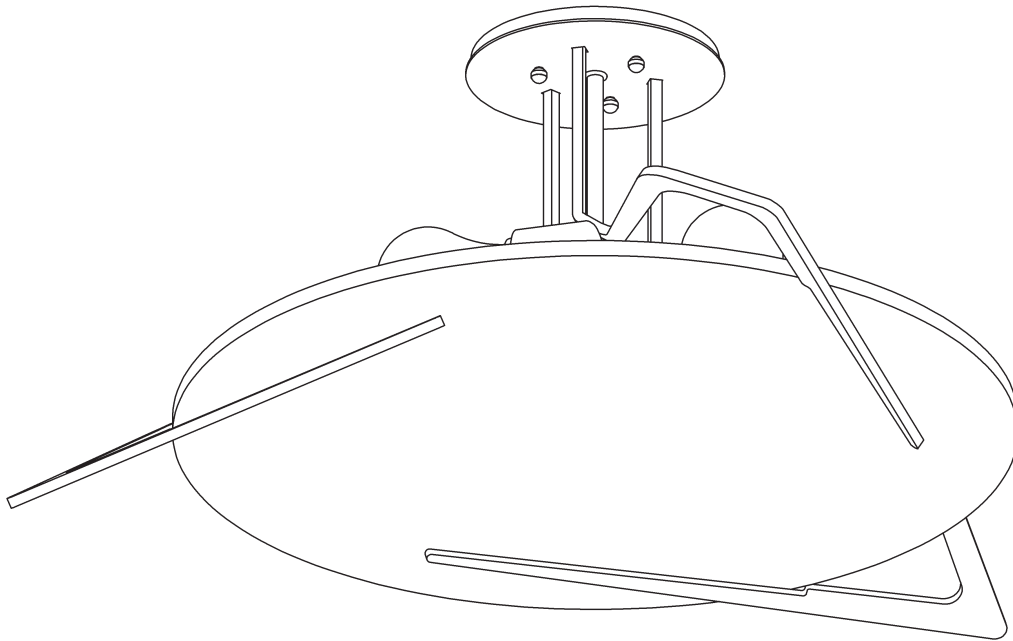


# ASSEMBLY & INSTALLATION INSTRUCTIONS

Calisto Semi-Flush - 121059

A967



HUBBARDTON FORGE.

MODERN AMERICAN BLACKSMITHS | FINE, HAND CRAFTED LIGHTING  
CASTLETON, VERMONT USA | HUBBARDTONFORGE.COM

## Component Parts

- A**      **Canopy**
- B**      **Crossbar**
- C**      **Ground Screw**
- D**      **Knurled balls (3)**
- E**      **Threaded Stud (3)**
- F**      **Diffuser**
- G**      **Arms (3)**



Calisto Semi-Flush - 121059

**CAUTION: FAILURE TO INSTALL THIS FIXTURE PROPERLY MAY RESULT IN SERIOUS PERSONAL INJURY OR DEATH AND PROPERTY DAMAGE.** We recommend installation by a licensed electrician. This product must be installed in accordance with applicable installation code(s), by a person familiar with the construction and operation of the product and the hazards involved.\*

**Caution:** Do not exceed maximum wattage noted on fixture. Use only recommended bulbs with fixture.

## Install To Ceiling (Figure 1)

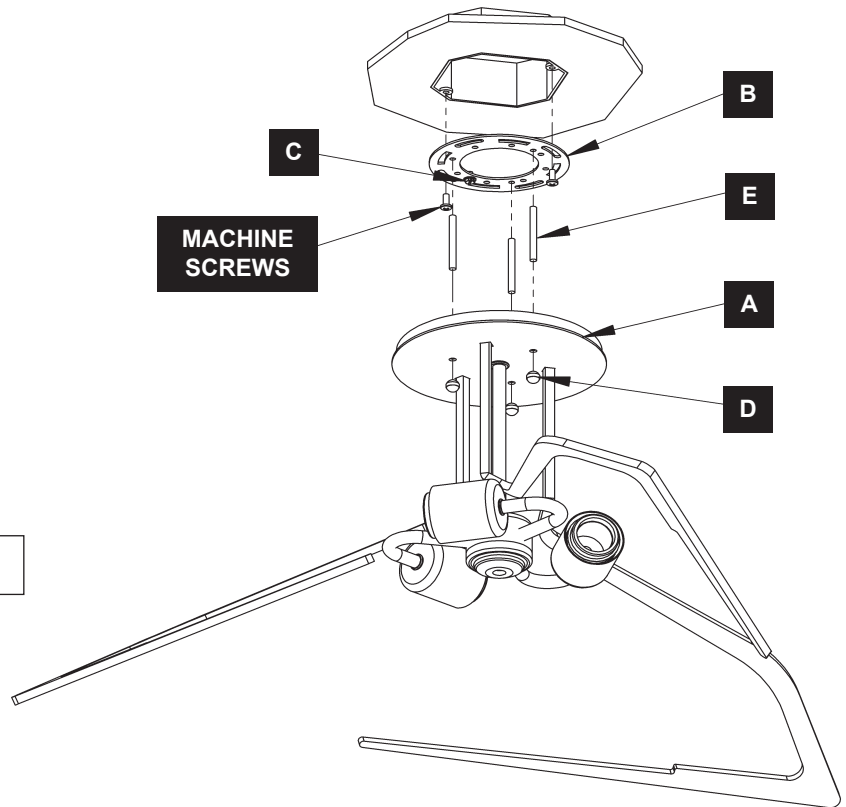
1. Carefully unpack the fixture from the carton.
2. Thread studs (E) through appropriate holes in crossbar (B) to match hole centers in canopy (A). Move ground screw (C) to another available threaded hole if necessary.
3. Using two machine screws (not provided) fasten crossbar (B) to the electric box using outer oval holes to orient fixture to desired hanging position.

**Note:** A new electric box comes with screws. When replacing an existing fixture, retain the screws for use with the new fixture.

4. Using suitable wire connectors (not provided); connect fixture wires to supply wires (white to white and black to black). Attach a pigtail lead to the crossbar ground screw (C). connect all ground wires (bare copper or green to bare copper or green). Push wires back into electrical box.

**Caution:** Be sure wire connectors are twisted on securely, and no bare wire is exposed.

5. Slide fixture canopy (A) over threaded studs (E) and push firmly to ceiling, making sure that no wires are pinched between fixture canopy and ceiling. Fasten with knurled balls (D). Be sure studs (E) are fully seated in knurled balls (D).

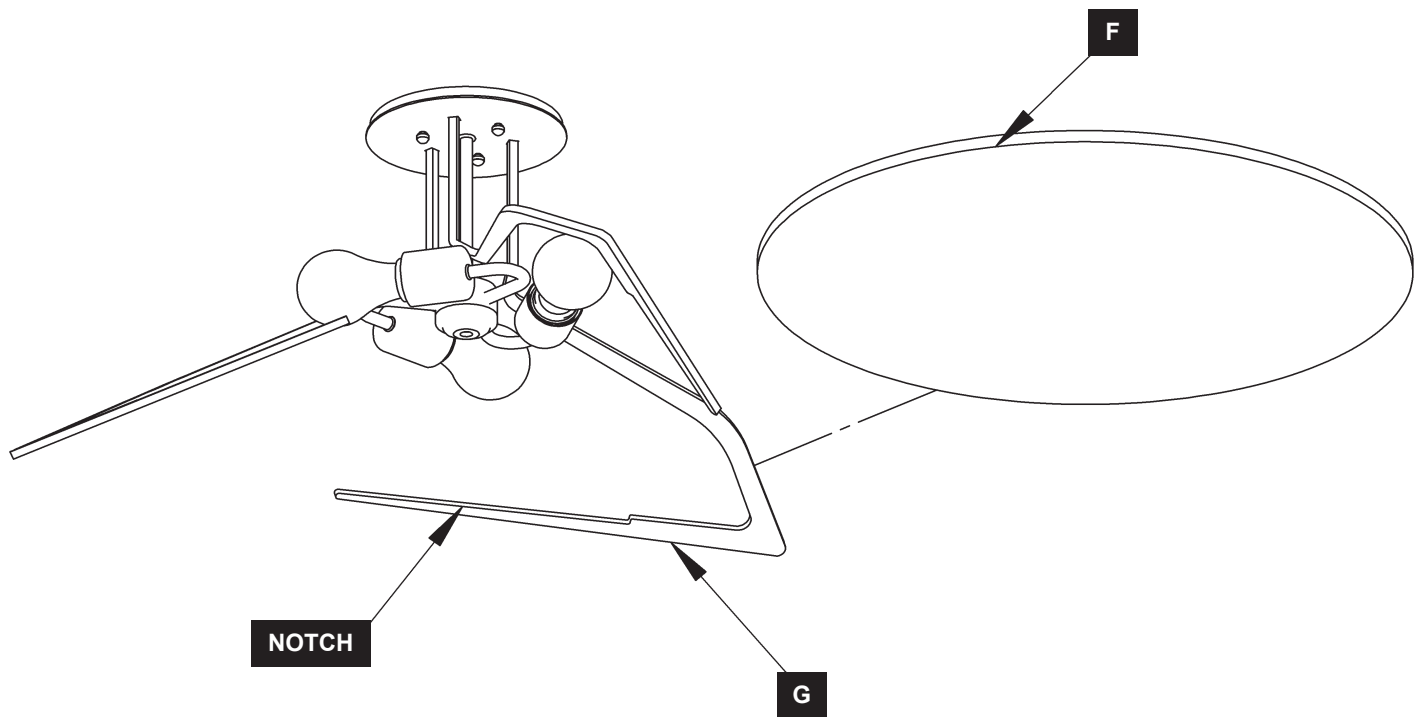


(Figure 1)

Calisto Semi-Flush - 121059

## Install Diffuser (Figure 2)

1. Slide diffuser (F) onto arms (G).
2. Install light bulbs (not included).
3. Lower until diffuser (F) rests on notches on arms (G).
4. Restore electricity at main breaker.



(Figure 2)

If you need further assistance, or find that you are missing any parts, please contact the dealer from which you purchased this product. We hope you enjoy your fixture!

**\* Hubbardton Forge will not be liable for injury or damage caused by improper installation, lamping or use of this fixture.**