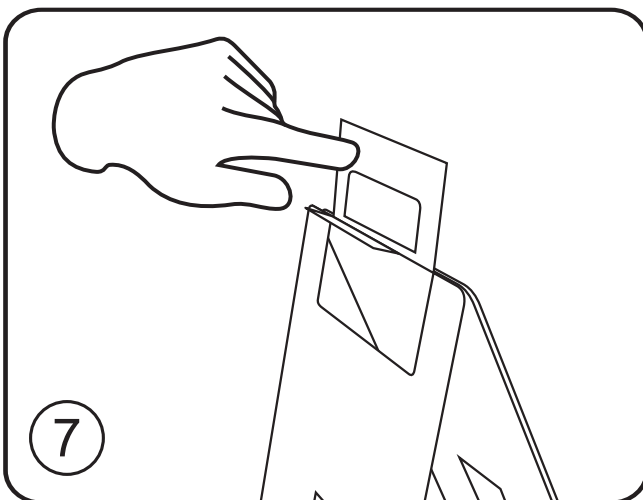
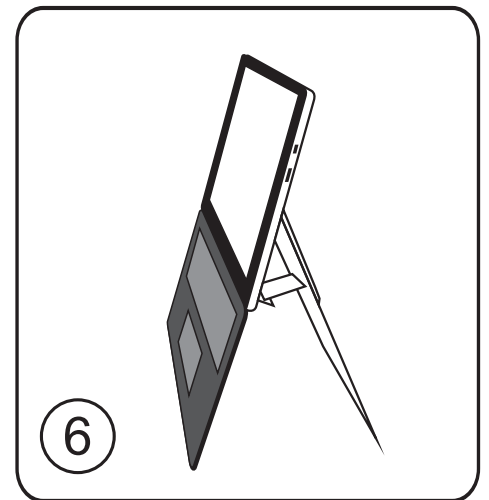
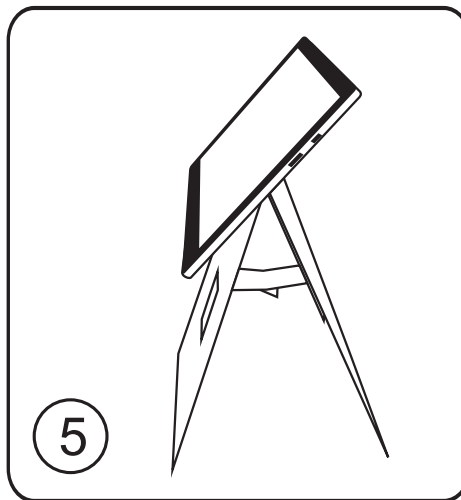
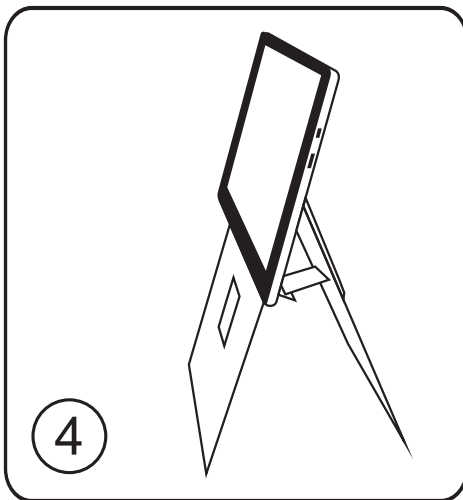
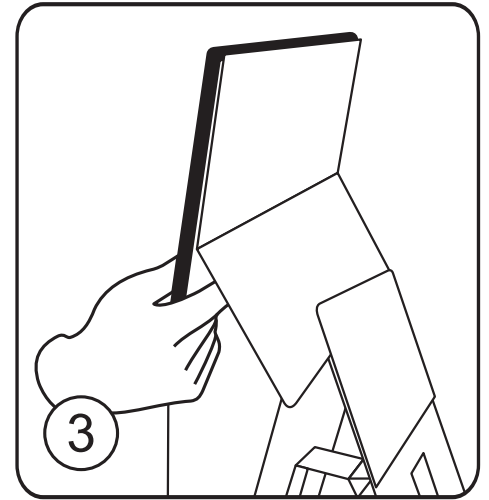
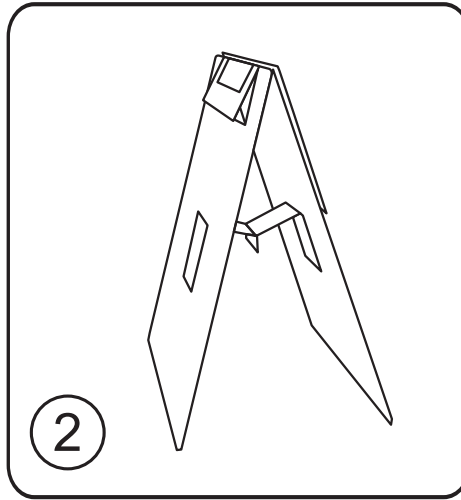


STANDIVARIUS

How to assemble your Surface Stand



1. Flip out the kick-stand on your Surface Pro.
2. Open your Standivarius Surface stand to form an A' frame.
3. Slide the kick-stand into the slot at the rear of the stand.
4. Position on your desk and add an external keyboard and mouse.
5. The Surface Pro can now tilt on its hinge to optimise viewing angle.
6. Your Surface stand can also be used with a Surface Pro Type Cover in place.
7. The viewing height can be increased by flipping up one of the two flaps before you slide in the kick-stand (3).