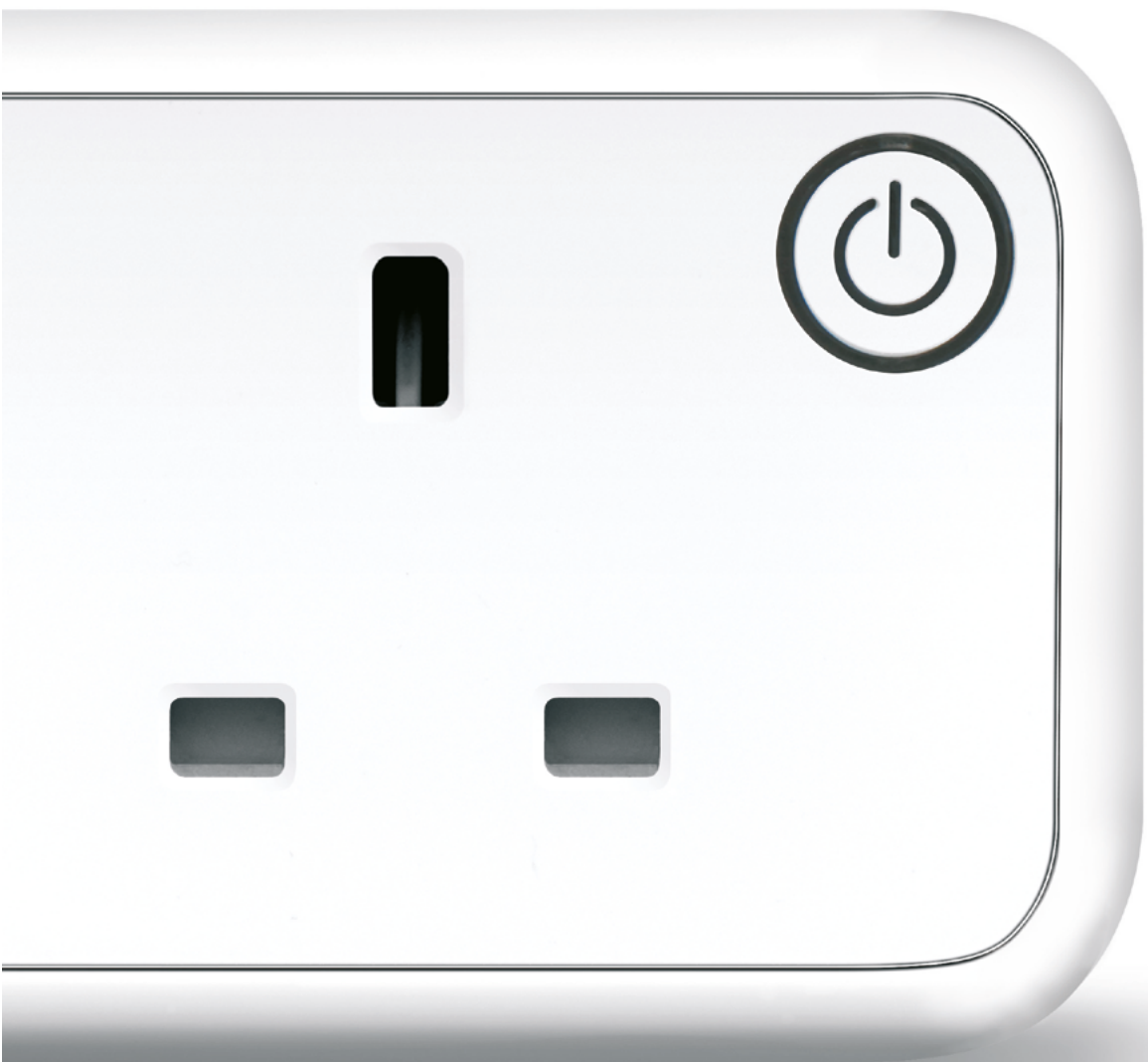


UNO

Technical sheet



sourcecotec.global

sourcecotec

Introducing elegance into today's contemporary office environment

UNO was developed in response to a need for a sleek and minimal desktop module to suit the style of today's contemporary desking and workspace environments. In addition to specific aesthetic requirements, the challenge was to find a solution to the costly issue of fuses blowing due to improper use.

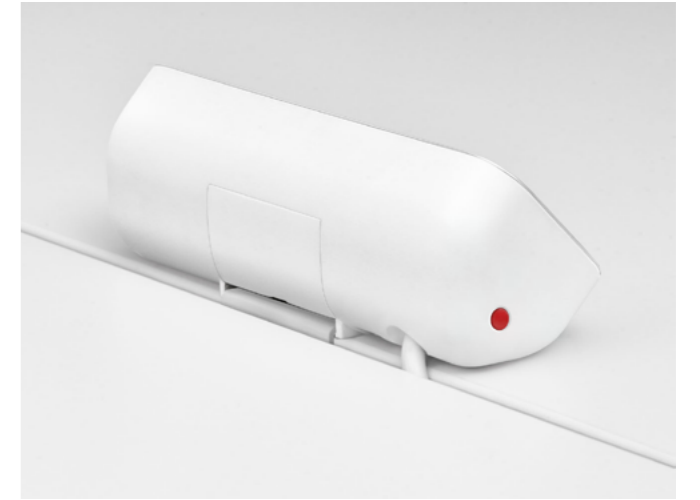
Utilising modern injection moulding techniques, UNO offers an alternative to more traditional desktop modules which are still produced using archaic extrusion production methods. Integrated thermal reset switches simply turn off as UNO cleverly detects misuse, eliminating the need to replace blown fuses.



Sleek and stylish aesthetic to suit today's modern office environments.




Individual reset switches means never having to replace fuses.



Discreet desk clamp and cable exit.



Individual illuminated powersave switches and a future-proof design allows for easy installation of up to two data sockets.

	PRODUCT INFORMATION	OPTIONS	FINISH	PRODUCT CODE
<p>UNO A+C</p> 	<p>Desktop module with individual thermal reset switches. Individual illuminated powersave switches. 800mm drop lead to male GST.</p> <p>Desk clamp to suit up to 30mm worktop.</p> <p>Electrical: Input: 230–250V USB Type A: 2.4A USB Type C: 3A USB Shared: 4.2A Max current: 13A Individual thermal reset: 3.15A</p>	2 power + dual fast charge USB A+C	Gloss white with matt white trim	SOU/P-AD-UN-2DFCAC-W
			Gloss black with matt black trim	SOU/P-AD-UN-2DFCAC-B
		2 power + 1 CAT6 data + dual fast charge USB A+C	Gloss white with matt white trim	SOU/P-AD-UN-216DFCAC-3-W
			Gloss black with matt black trim	SOU/P-AD-UN-216DFCAC-3-B
		2 power + 2 CAT6 data + dual fast charge USB A+C	Gloss white with matt white trim	SOU/P-AD-UN-226DFCAC-3-W
			Gloss black with matt black trim	SOU/P-AD-UN-226DFCAC-3-B

Please note all data cables are 3m unless otherwise specified.



ELECTRICAL PARAMETERS

2 x UK Power
4.2A Dual Fast Charge USB
USB Type A : 2.4A
USB Type C : 3A
Combined : 4.2A
800mm Drop Lead to Male GST
Supplied with C Clamp to suit tabletop thickness to 30mm.

FINISHES



Also available:
SCHUKO: CEE 7/3 (Type F)
FRENCH/BELGIAN: CEE 7/5 (Type E)

INPUT

Voltage range 200-240V AC
Frequency 50/60Hz
Rated current 16A Max
Turn on delay <1S

OUTPUT — USB A

Power 12W
Type BC1.2
Voltage 5V ±5%
Max voltage (no load) 5V ±5%
Current 2.4A

OUTPUT — USB C

Power 15W
Type Type C DFP/BC1.2
Voltage 5V ±5%
Max voltage (no load) 5V ±5%
Current 3A

PROTECTION

DC overcurrent Auto reset
DC overvoltage Auto reset
Reset after shutdown Yes
Over-temperature Yes

INTELLIGENT DEVICE RECOGNITION

IDR Auto

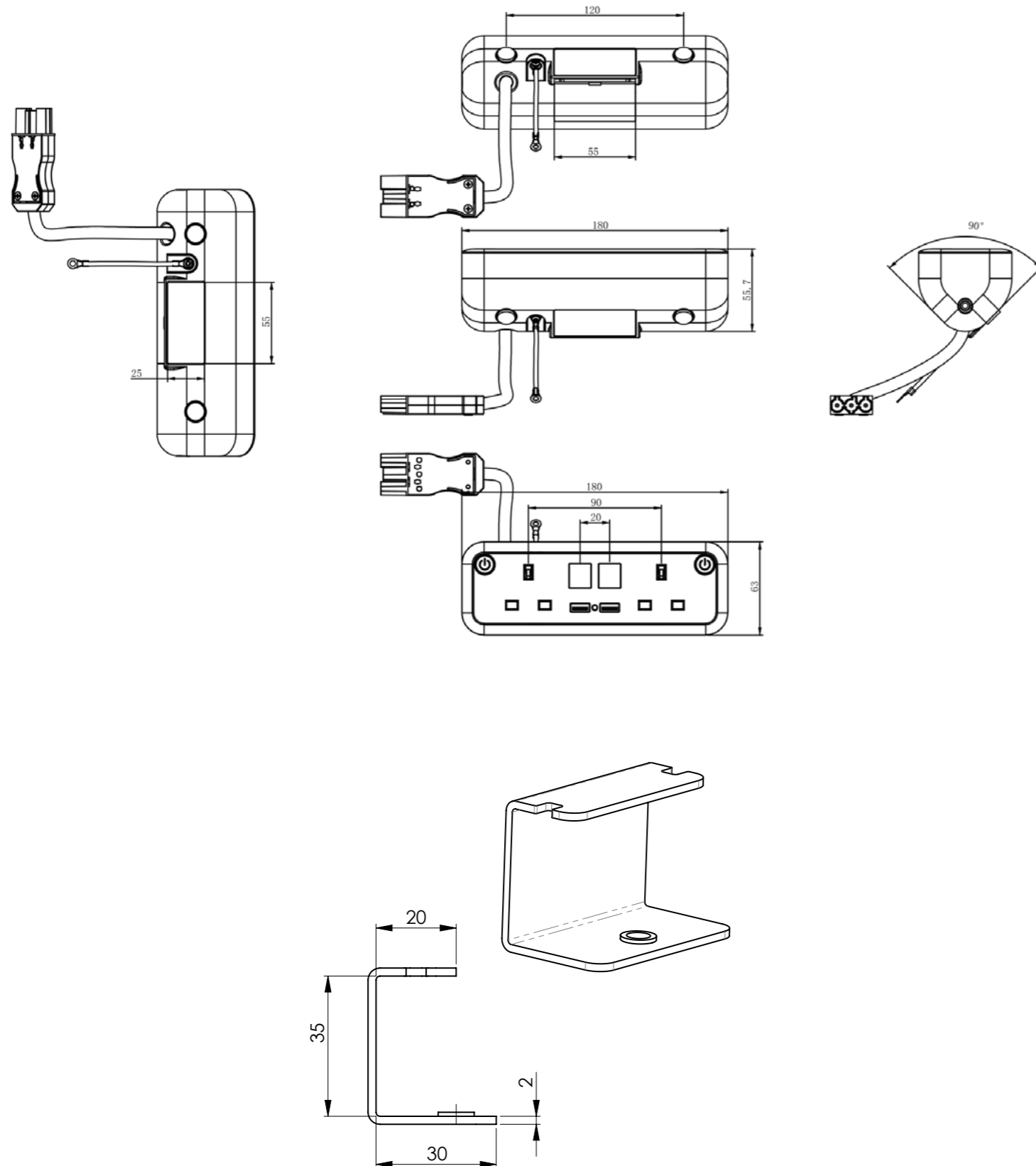
ENVIRONMENT

Temperature 0°-45°C
Altitude 2km max

CONFORMITY

Safety standard EN 62368-1-2014
EMI EN55022
Hi-POT test <5mA/3000V/60S
Environment ROHS

Dimensions are identical for UNO units fitted with UK, Schuko or French/Belgian sockets



Sourcetec is part of the Workstories group and is a registered trademark.

Warranty

Workstories Ltd offers a 1-year warranty on our Sourcetec range.

This applies only if products have been used within and by standard office conditions. Wear and tear must be expected from normal use and are not covered by the warranty.

General Care

CARE & MAINTENANCE

Apart from replacing or resetting fuses, Sourcetec products are manufactured to be maintenance free. For periodic cleaning, disconnect the unit from the power source and use a soft damp cloth, immediately after dry the unit with a soft dry cloth. Do not use harsh chemical solvents or detergents.

TESTING

All Sourcetec units are tested before they leave the factory, any suspected damage or manufacturing defects need to be raised with Sourcetec immediately for further investigation.

Environmental Practices

Workstories is dedicated to being environmentally conscious. We strive to ensure the continued availability of natural resources for current and future generations, and as part of our mission, we recognise the responsibility to protect human health, the environment, and natural resources, and to continually strive to improve the environmental quality of our operations.

To carry out this commitment, it is our policy to ensure all our factories:

Meet or exceed the requirements of all environmental laws and regulations applicable to our operations.

Limit our impact on the environment to the extent practicable and work to reduce recognised environmental risks to our employees and the communities in which we operate by employing safe technologies and operating procedures.

Continually assess our environmental programs and monitor our environmental performance.

Have operating policies and programs in place to implement our Environmental Quality Policy.

Workstories guarantees limited carbon footprint for our products. Workstories is a full member of FIRA, and holds ISO9001 and ISO14001 certifications.



sourcetec

sourcetec:global