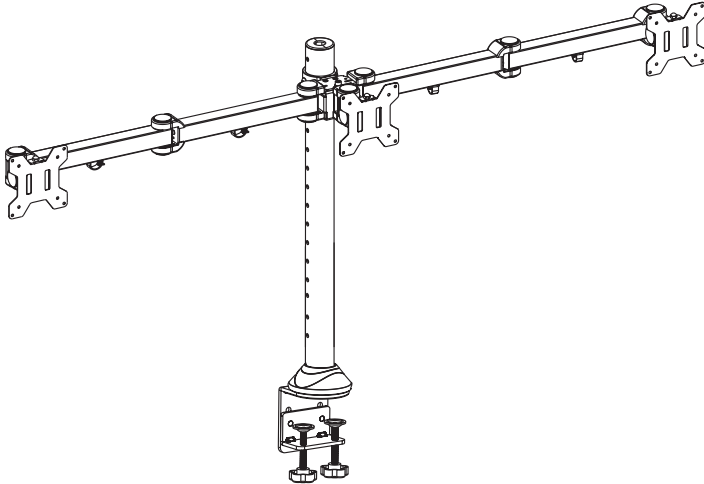


Installation Instruction



UNPACKING INSTRUCTIONS

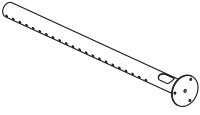
- Carefully open the carton, remove contents and lay out on cardboard or other protective surface to avoid damage.
- Check package contents against the Supplied Parts List in the next page to assure that all components were received undamaged. Do not use damaged or defective parts.
- Carefully read all instructions before attempting installation.

IMPORTANT SAFETY INFORMATION

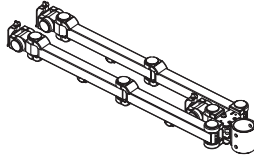
- Install and operate this device with care. Please read this instruction before installation, and carefully follow all instructions contained herein. Use proper safety equipment during installation.
- Please call a qualified installation contractor for help if you don't understand these directions or have any doubts about the safety of the installation.

Do not use this product for any purpose or in any configuration not explicitly specified in this instruction. We hereby disclaims any and all liability for injury or damage arising from incorrect assembly, incorrect mounting, or incorrect use of this product.

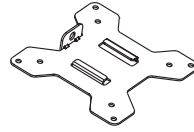
Supplied Parts List



(1)Pole-a



(1)Monitor Arm-b



(3)VESA Plate-c



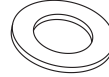
(3)Nut-d



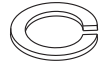
(1)Grommet Plate-e



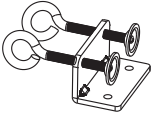
(1)M10 Bolt-f



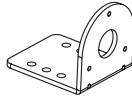
(1)M10 Washer-g



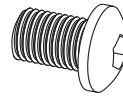
(1)Spring Washer-h



(1) C-clamp-i



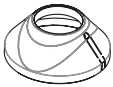
(1) C-clamp Brace-j



(2)M10x15 Bolt-k



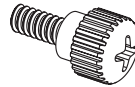
(3)C-clamp
Brace Bolt-l



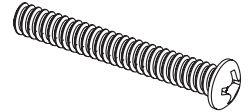
(1)Decorative Cover-m



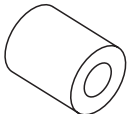
(4)M8x10 Bolt-n



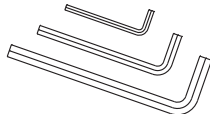
(12)M4x12 Thumb Bolt-o



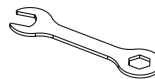
(12)M4x30 Bolt-p



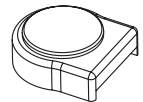
(12)M4 Space-q



(1)Allen Key-r



(1)Wrench-s



(2)Spare Plastic
Cover-t



WARNING

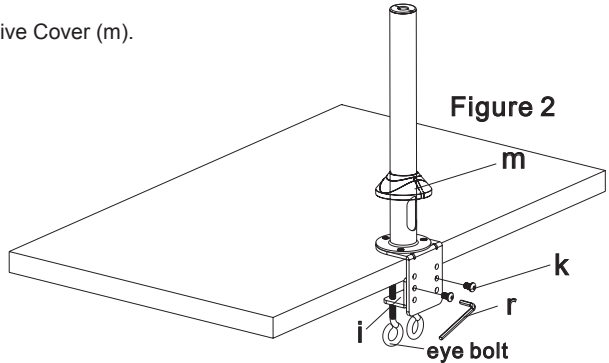
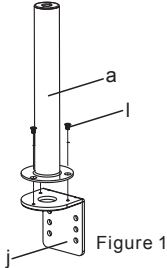
CAUTION!

This monitor desktop mount must be securely attached to the horizontal desk. If the mount is not properly installed it may fall, resulting in possible injury and/or damage.

Step 1A

C-clamp Installation

1. Install the C-clamp Brace (j) to the 48mm Pipe (a) using 3pcs C-clamp Brace Bolts (l), see Figure 1.
2. Install the C-clamp (i) to the 48mm Pipe assembly according to the thickness of the desktop. The thickness can be changed in three positions. Connect it using 2pcs M10x15 Bolts (k), and tighten using the Allen Key (r). Tighten the C-clamp to the desktop using the 2pcs eye bolts, see Figure 2.
3. Install the Decorative Cover (m).

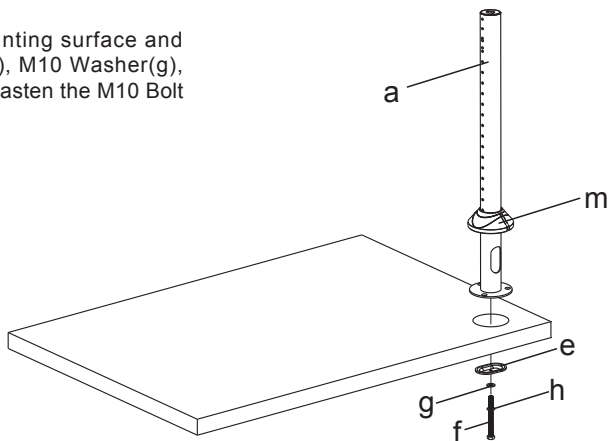


Step 1B

Existing Grommet Hole Installation

If the existing grommet hole comes with a plastic protector, remove it to ensure a flat surface before installing the desk mount.

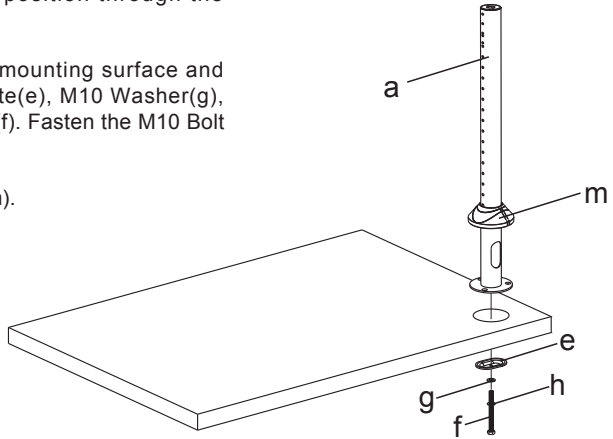
1. Position the Pole(a) on the mounting surface and secure using the Grommet Plate(e), M10 Washer(g), Spring Washer(h) and M10 Bolt(f). Fasten the M10 Bolt using provided Wrench(s).
2. Install the Decorative Cover (m).



Step 1C

Self Drilled Grommet Hole Installation

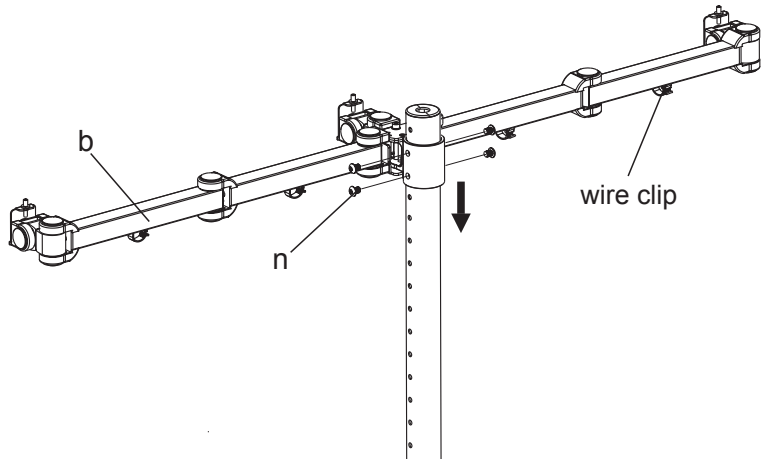
1. Position the Pole(a) on the mounting surface and mark the center hole. Remove the pole. Drill a 10mm diameter hole at the marked position through the mounting surface.
2. Position the Pole(a) on the mounting surface and secure using the Grommet Plate(e), M10 Washer(g), Spring Washer(h) and M10 Bolt(f). Fasten the M10 Bolt using provided Wrench(s).
3. Install the Decorative Cover (m).



Step 2

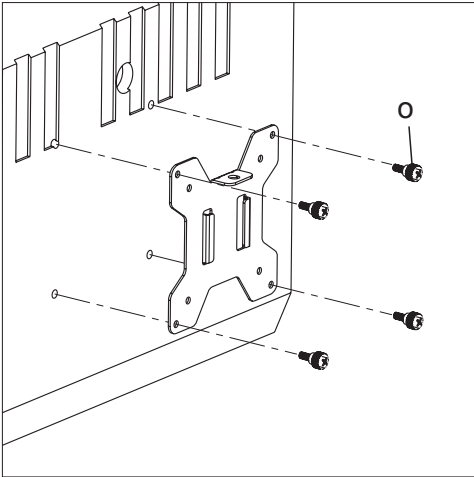
Install Arms to the Pole

Install Arms(b) to the Pole(a), please make sure the wire clips of Arm(b) in the downside. Fasten the M8x10 Bolt(n) by supplier Allen Key(r).

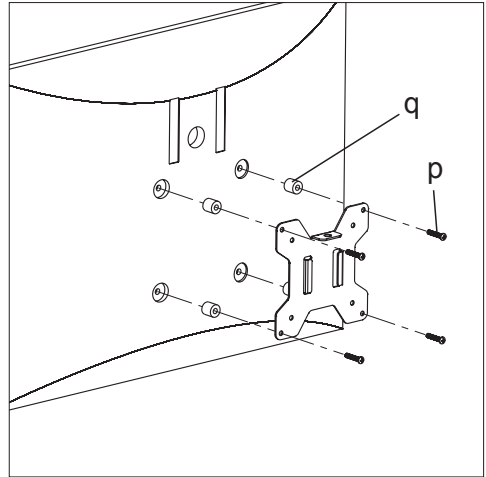


Step 3

Attach the VESA Plate to the Monitor



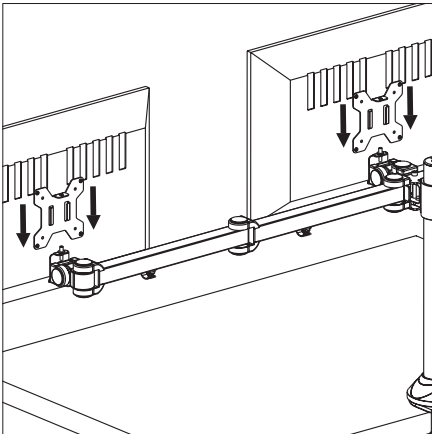
For Monitor with Flat Back



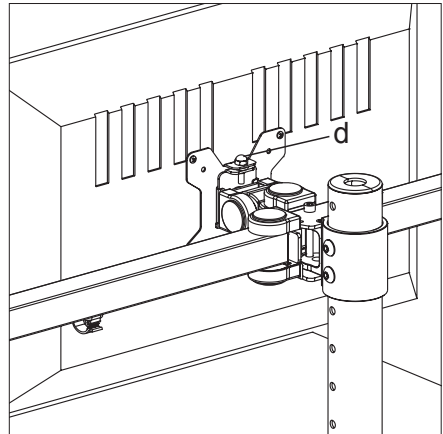
For Monitor with Curved or Recessed Back

Step 4

Slide the Monitor onto the Head of Arms



Slide the monitors onto the heads of Monitor Arm (b) as shown in the above diagram.

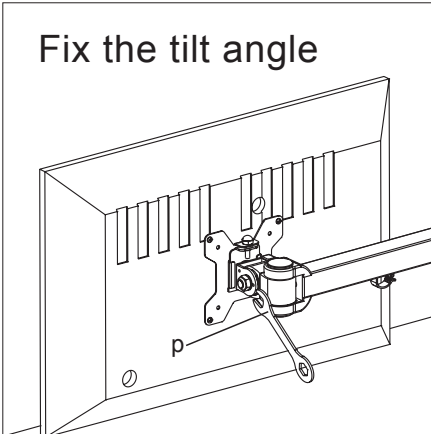


Install the security Nut (d). Make sure the security nut is installed before you rotate the monitor.

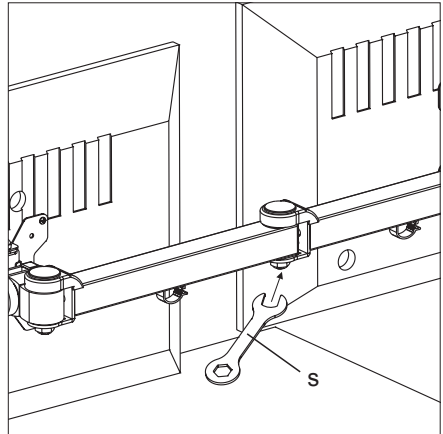
Step 5

Attach the VESA Plate to the Monitor

Fix the tilt angle



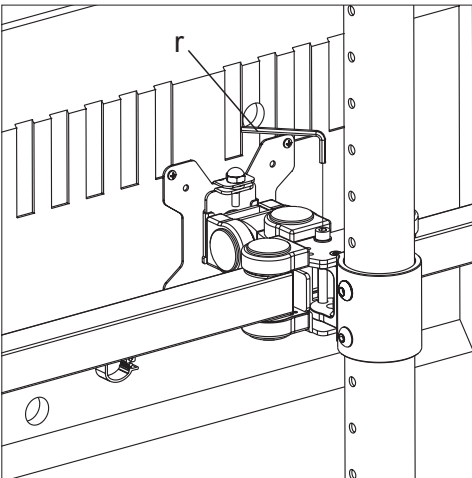
Remove the plastic cover, tighten the nut by the Wrench(s) to fix the tilt angle.



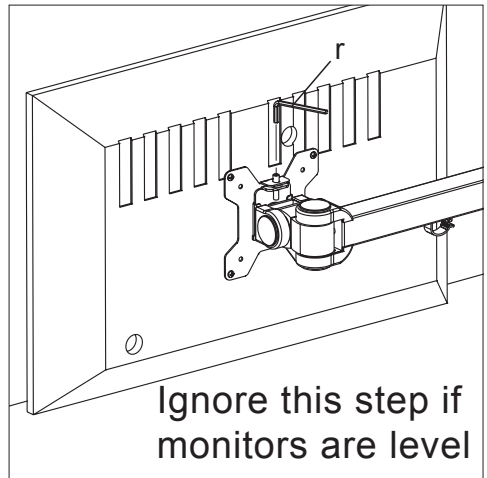
Remove the plastic cover, adjust the torque of Arms(b) by the supplier Wrench(s).

Step 6

Adjust the Level of Monitors



Adjust the height of Centre Monitor: Turn the bolt counterclockwise to lower the center monitor, turn the bolt clockwise to raise the center monitor.



Ignore this step if monitors are level

Adjust the height of Side Monitors: Remove the Nut(d) and turn the bolt counterclockwise with supplied Allen key(r) to raise the monitor. Install the Nut(d) after the adjustment.