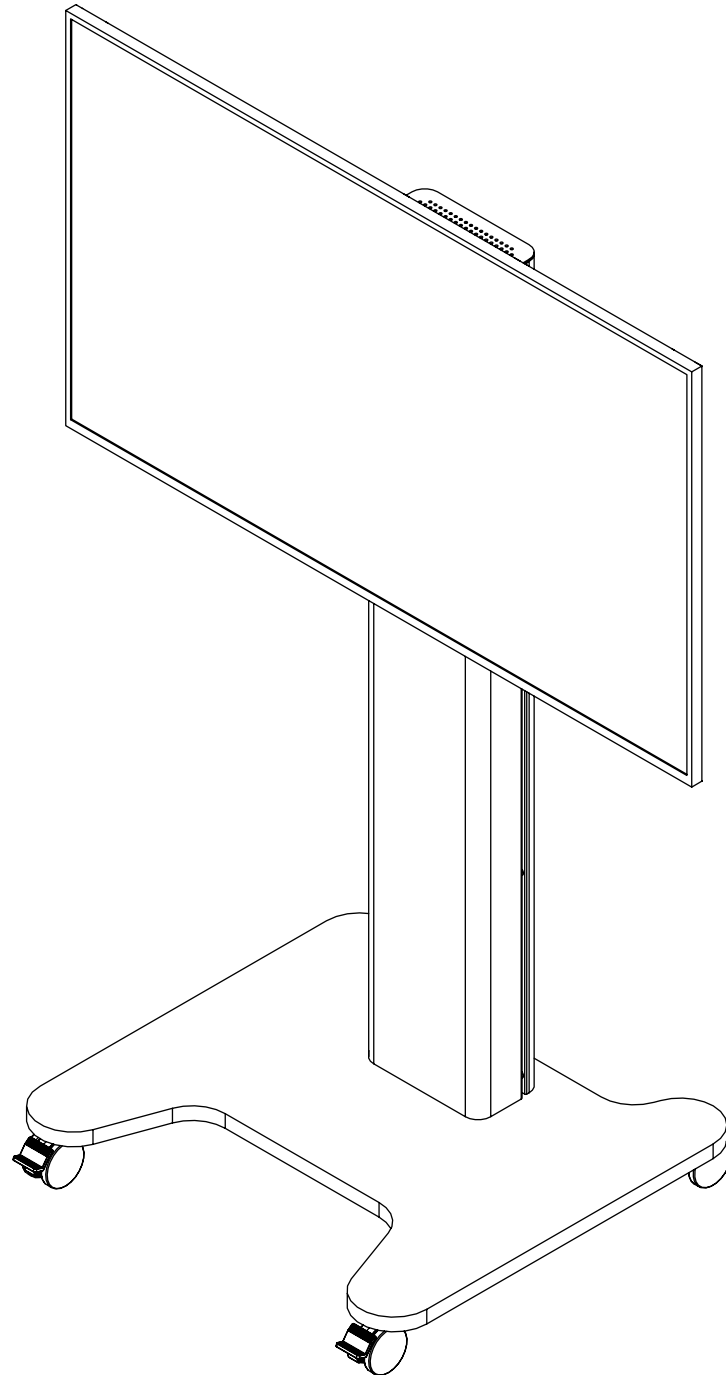




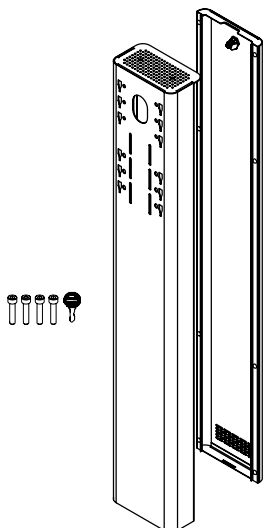
# Installation Instructions for AV/VC Intro

**AVS/031/001**

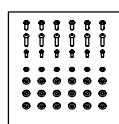
---



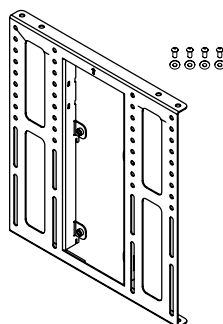
CORE STAND ELEMENTS



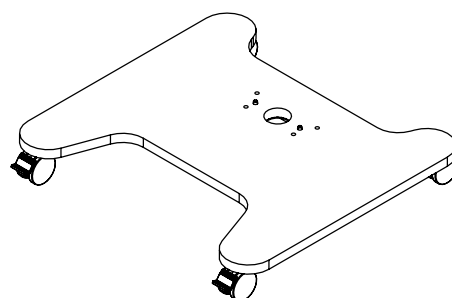
**AVS/031/001**  
AV/VC Intro - Column  
(inc. Back panel)



VESA fixing kit

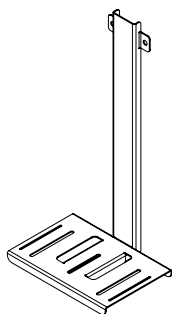


**AVS/031/SMK1**  
AV/VC Intro - Screen Mount Kit

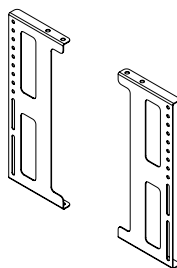


**AVS/031/002**  
AV/VC Intro - Base

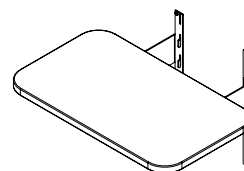
OPTIONAL ACCESSORIES



**AVS/031/CAM1**  
AV/VC Intro - Camera Mount Kit

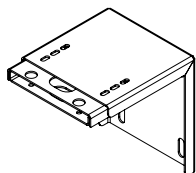


**AVS/031/EXT1**  
AV/VC Intro - VESA Extension Kit

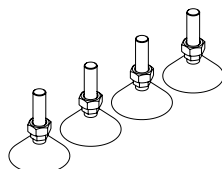


**AVS/031/SLF1**  
AV/VC Intro - Shelf Kit

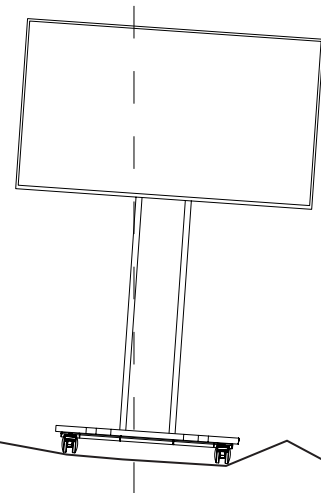
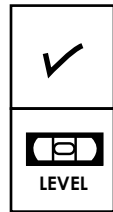
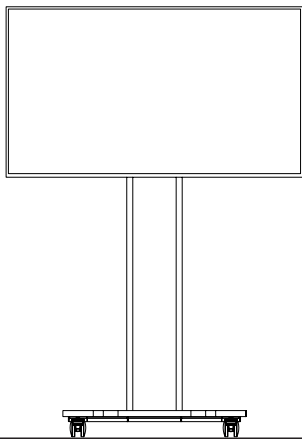
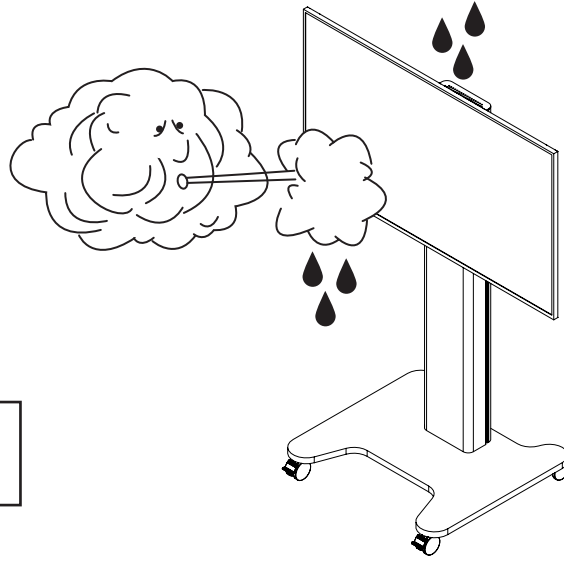
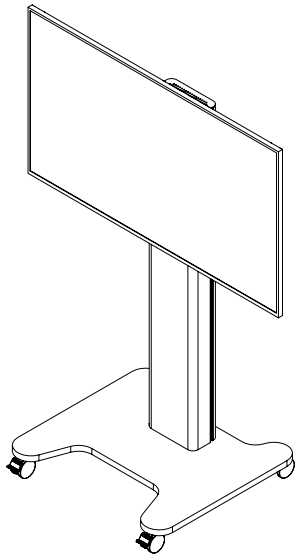
COMPATIBLE AV/VC ONE ACCESSORIES

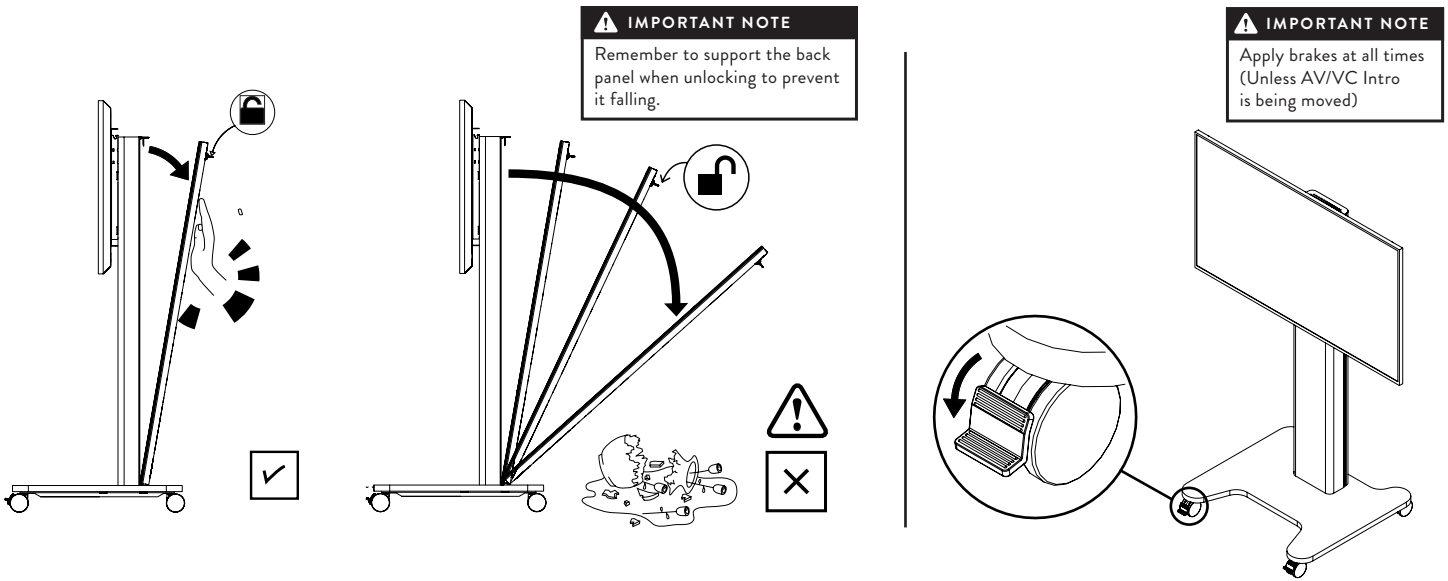


**AVS/021/WBK1**  
AV/VC One - Wall Brace Kit

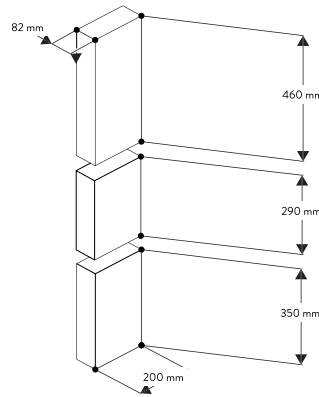
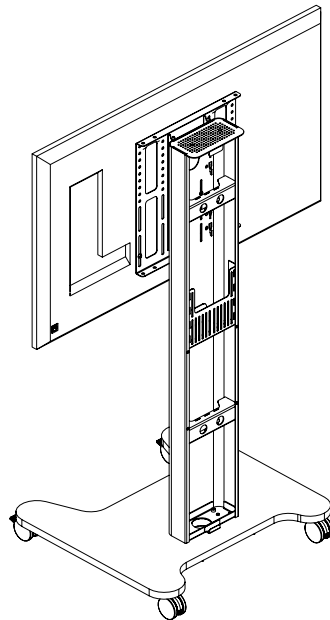


**AVS/021/GL1**  
AV/VC One - Adjustable Glide Feet





## INTERNAL EQUIPMENT SPACE



## **! IMPORTANT**

- Maximum screen size to be mounted: Single screen installation: 80" max size. 60kg (132lbs) max weight.
- It is recommended that screens are removed before moving the AV/VC Intro unit.

## **! WARNING**

- Do not install screens/displays heavier than 60kg/132lb.
- Use with products heavier than the maximum weights indicated may result in instability causing possible injury.
- Correct installation is essential to safe and reliable operation of the AV/VC Intro product and falls outside the scope of responsibility of Colebrook Bosson Saunders. Please follow assembly instructions carefully.
- Do not use this product for any purpose other than that for which it was designed.
- Ensure that floor or wall surface is strong enough to support the weight of the fully-loaded AV/VC Intro and that the floor surface is flat and level.
- Do not install AV/VC Intro outdoors or in environments where it will be directly exposed to moisture or high winds.
- Follow the manufacturer's guidance for mounting of screens, displays and other equipment.
- Please take care to avoid trapping fingers when installing or adjusting the product.

## **! ELECTRICAL SAFETY**

- Safe installation of electrical equipment is the responsibility of the installer.
- Colebrook Bosson Saunders recommends that only double-insulated electrical equipment and cables are installed in AV/VC Intro unit.

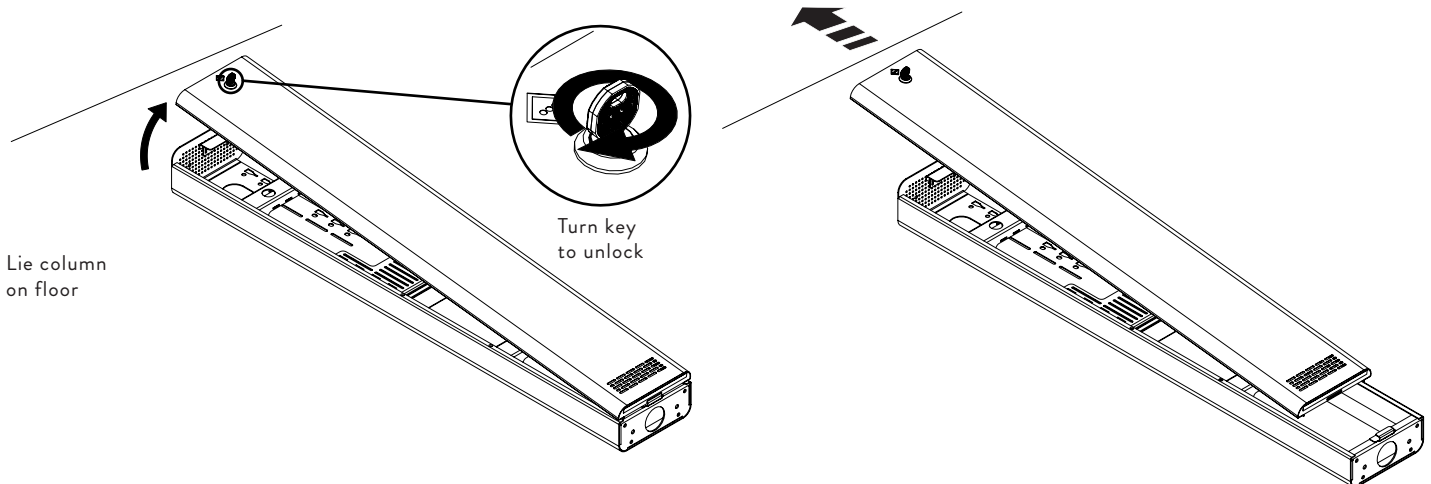
## **! MAINTENANCE AND INSPECTION**

- Ensure all screws and fixings are fully tightened and occasionally re-tighten if necessary.
- Clean with a damp cloth. **DO NOT** use solvents.

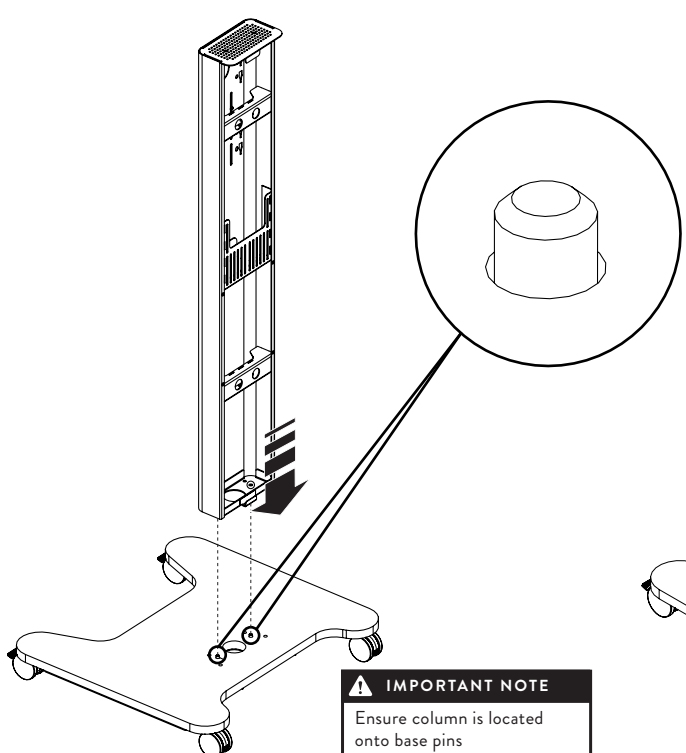
## **! DISCLAIMER**

As part of Colebrook Bosson Saunders ongoing product improvement programme, the design of products may change without prior notice and details may vary from those illustrated.

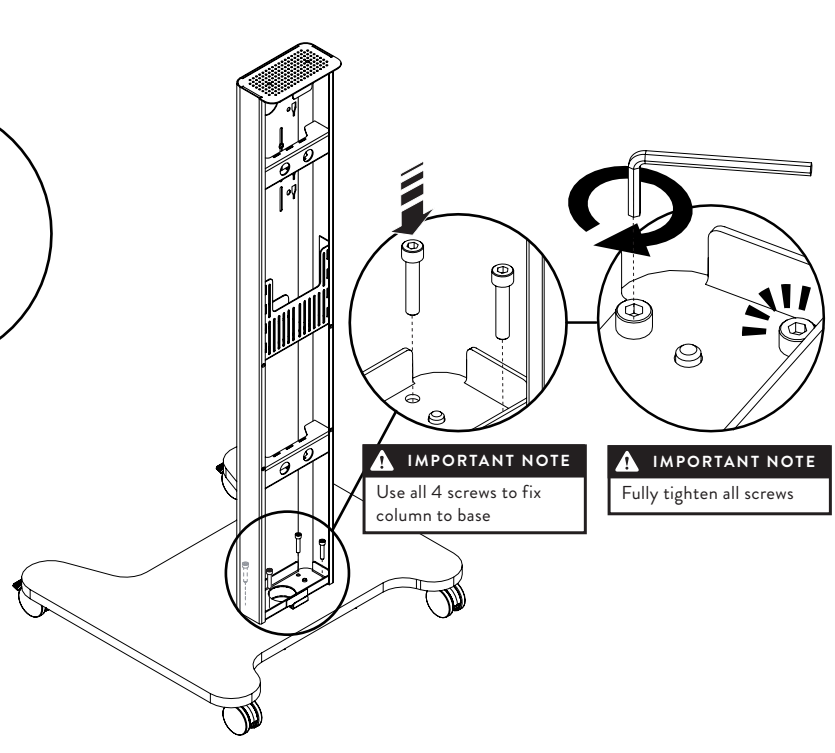
1.1 REMOVE BACK PANEL FROM COLUMN



1.2 INSTALL COLUMN TO BASE



1.3 FIX COLUMN TO BASE



IF YOUR INSTALLATION REQUIRES THE FOLLOWING AV/VC INTRO ACCESSORIES PLEASE INSTALL AT THIS STAGE

Camera Mount Kit

**SEE INSTALLATION INSTRUCTIONS AVS/031/CAM1**

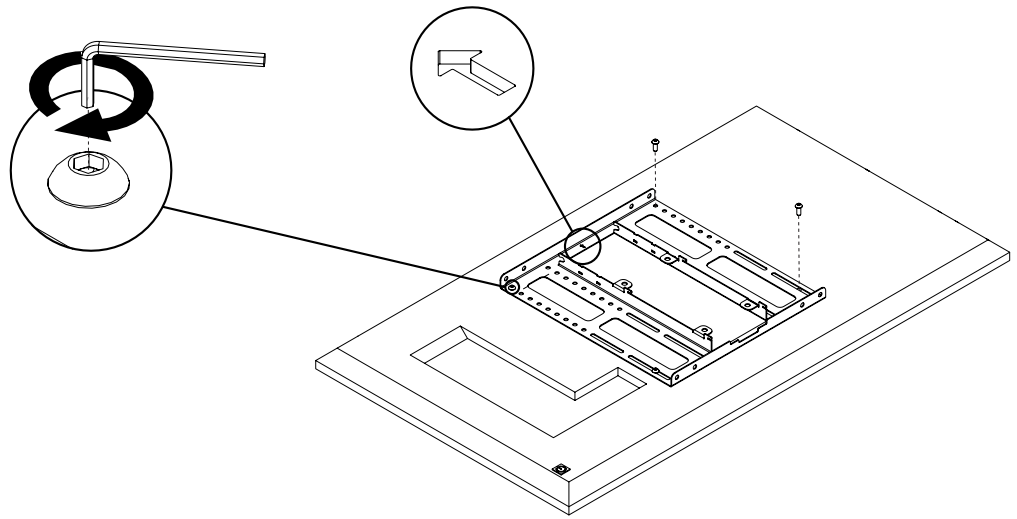
VESA Extension Kit

**SEE INSTALLATION INSTRUCTIONS AVS/031/EXT1**

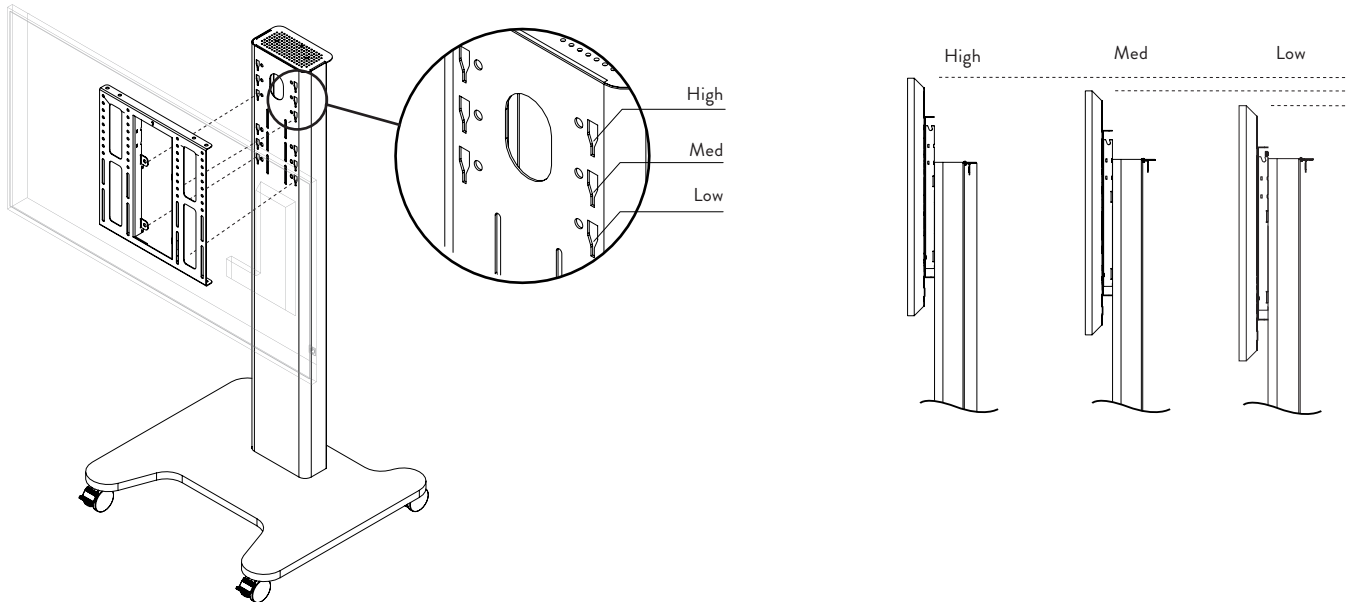
## 2.1 FIX SCREEN MOUNT TO SCREEN

### IMPORTANT NOTE

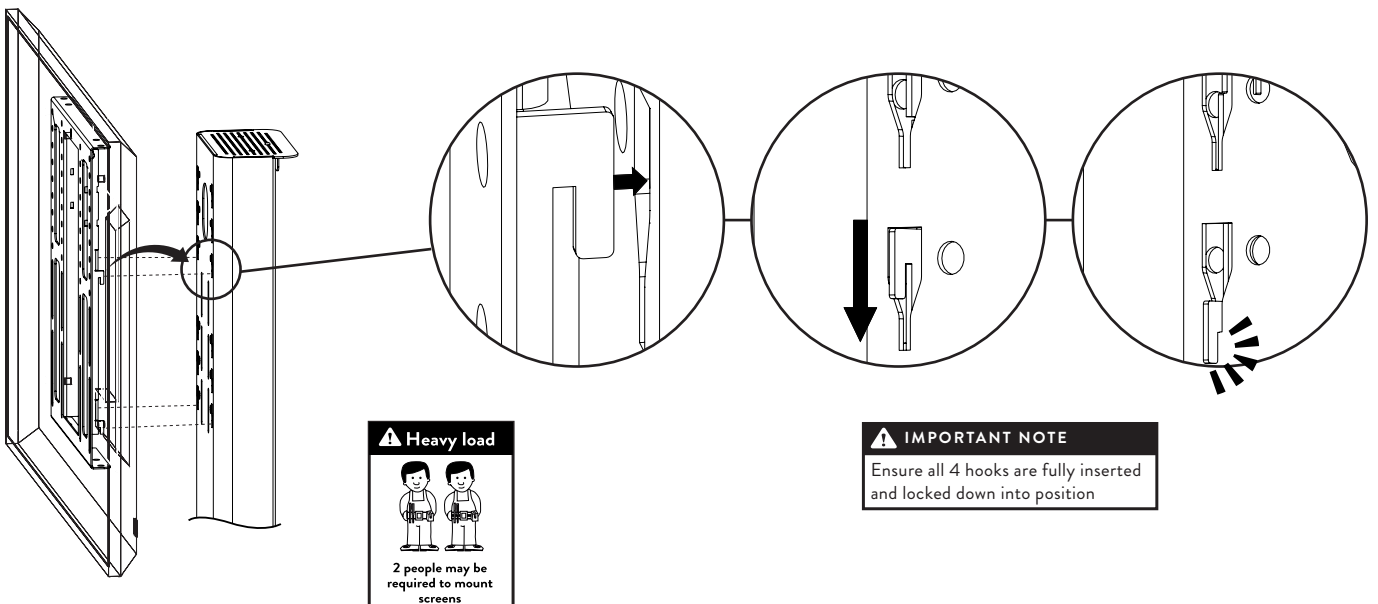
Carefully select fixing screws to suit screen being mounted



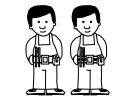
## 2.2 SELECT SCREEN MOUNTING HEIGHT



## 2.3 INSTALL SCREEN AND SCREEN MOUNT



### Heavy load



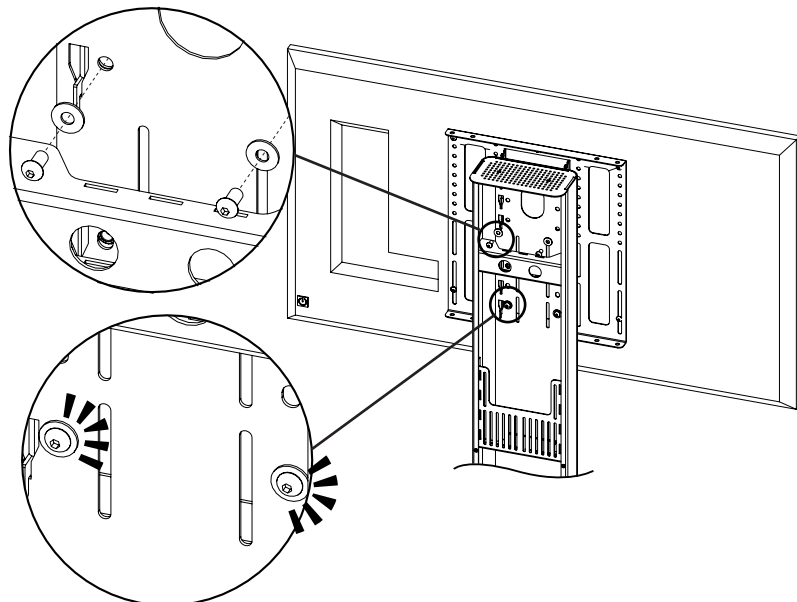
2 people may be required to mount screens

### IMPORTANT NOTE

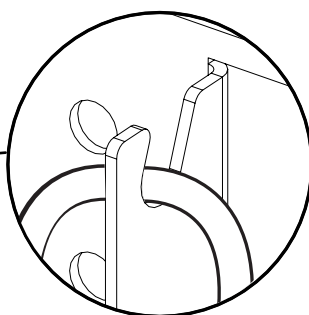
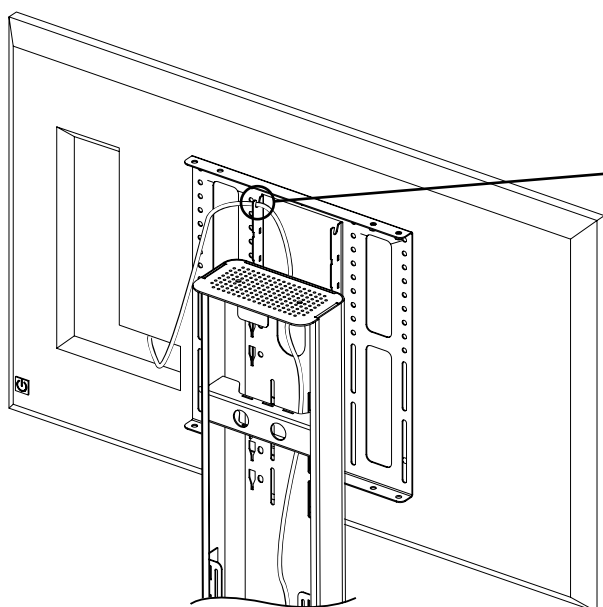
Ensure all 4 hooks are fully inserted and locked down into position

### SECURE SCREEN MOUNT TO COLUMN

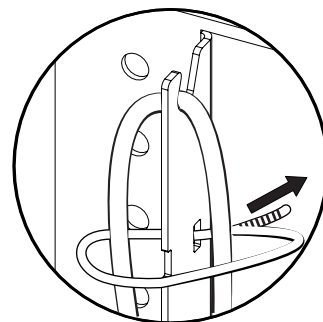
**IMPORTANT NOTE**  
Ensure all 4 screws are fully tightened



### INSTALL SCREEN CABLES INTO CABLE HOOK



Cable hook and cable tie holes are provided to tidy cable installation if required

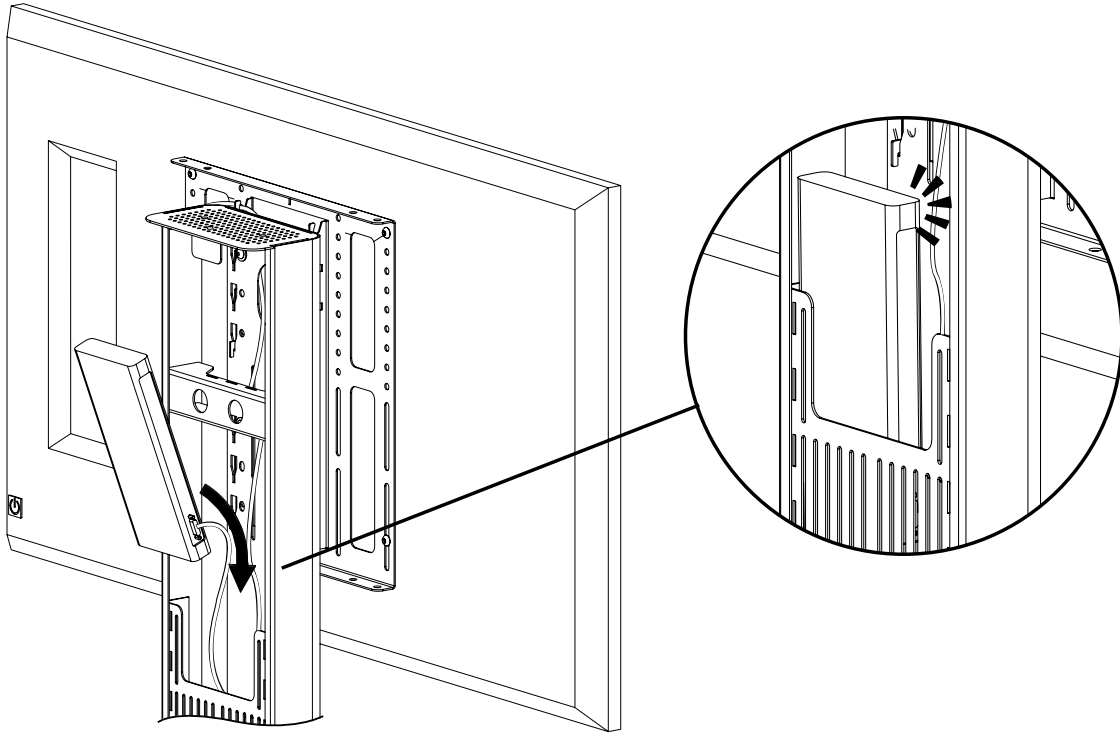


Fix cables into position with cable tie

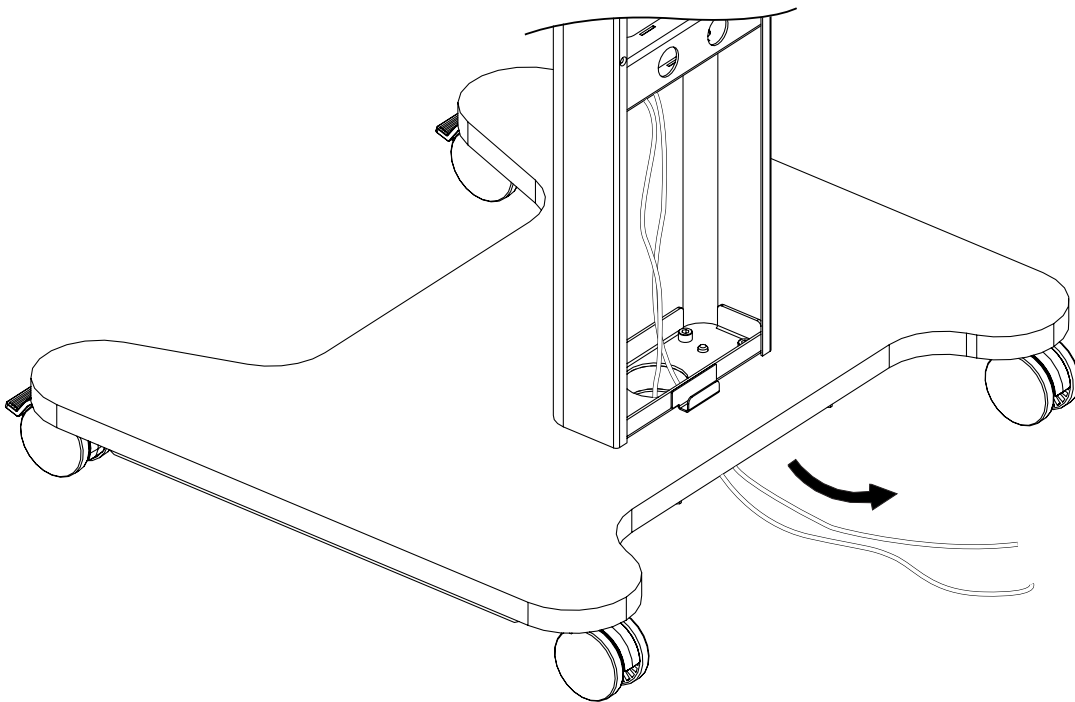
**NOTE**  
Leave enough room so cables can be cut loose

**IMPORTANT NOTE**  
Cable tie not supplied

3.1 FEED CABLES PAST EQUIPMENT BASKET AND PLACE EQUIPMENT INTO POSITION



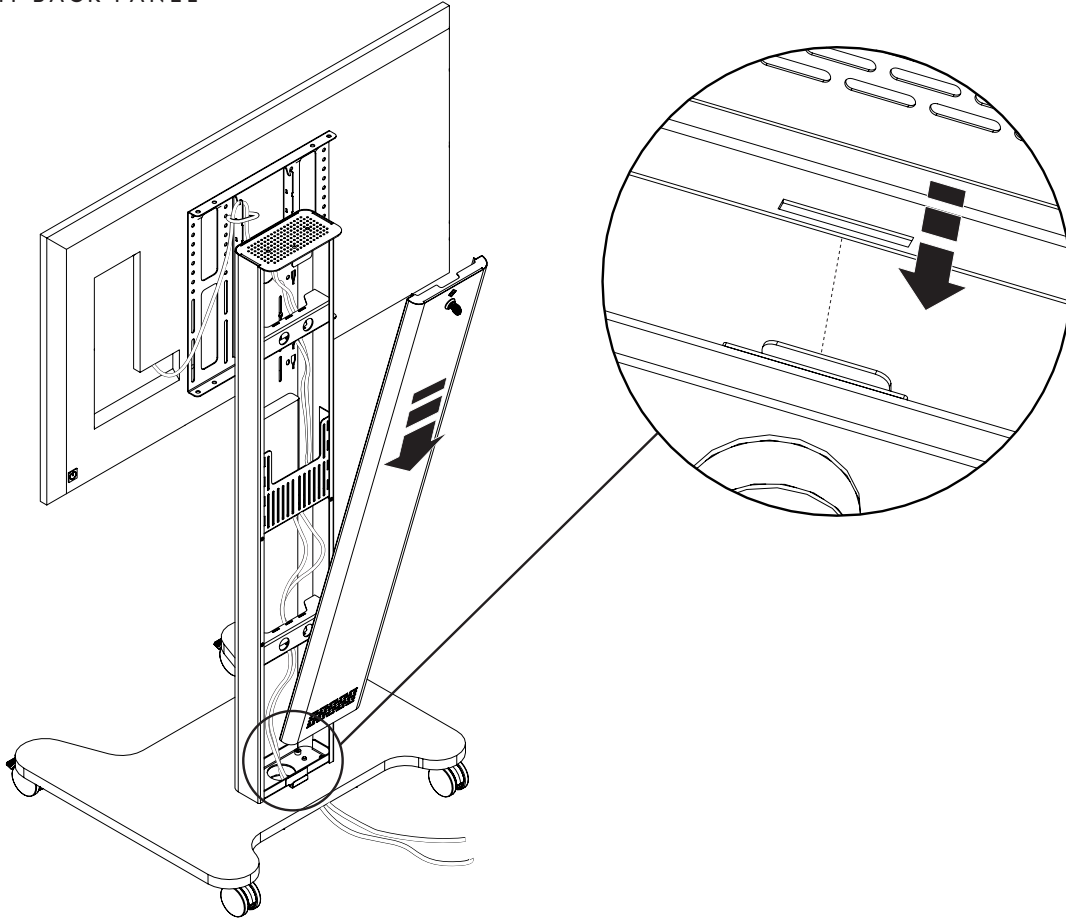
3.2 PASS EQUIPMENT CABLES THROUGH THE CABLE MANAGEMENT HOLE IN THE BASE





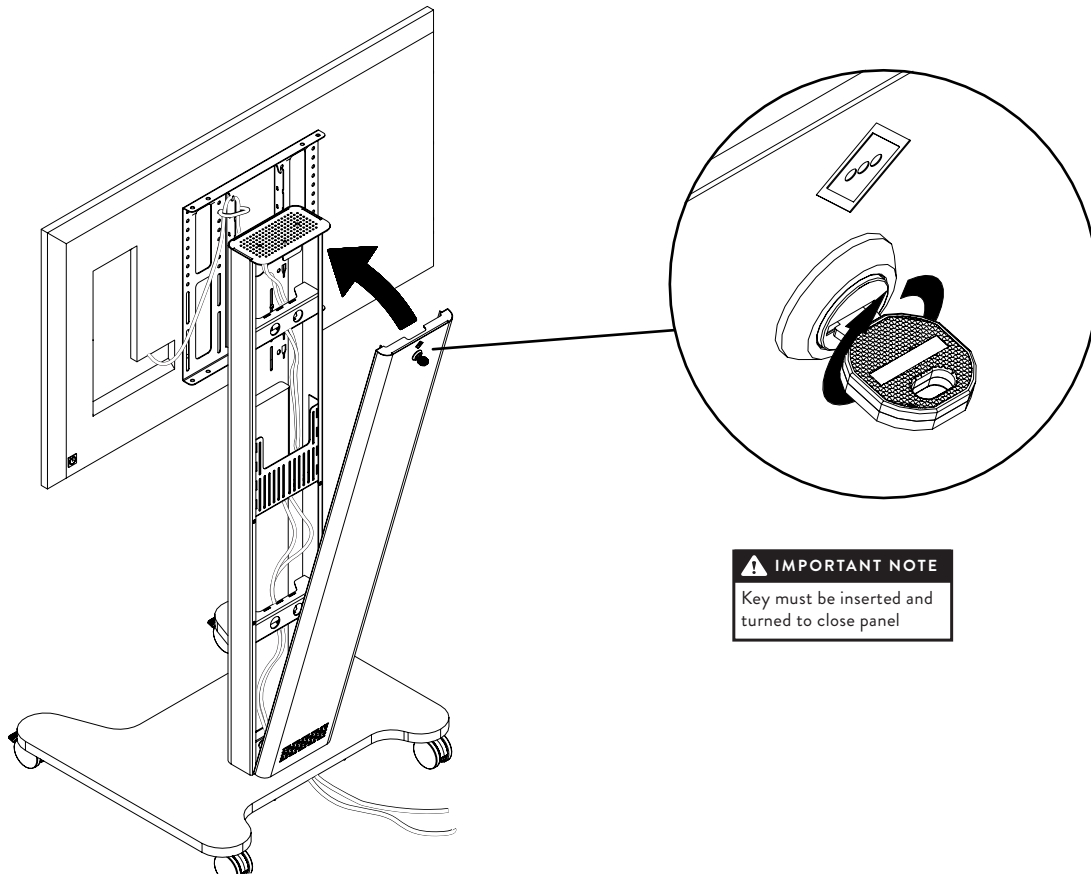
4.1

FIT BACK PANEL

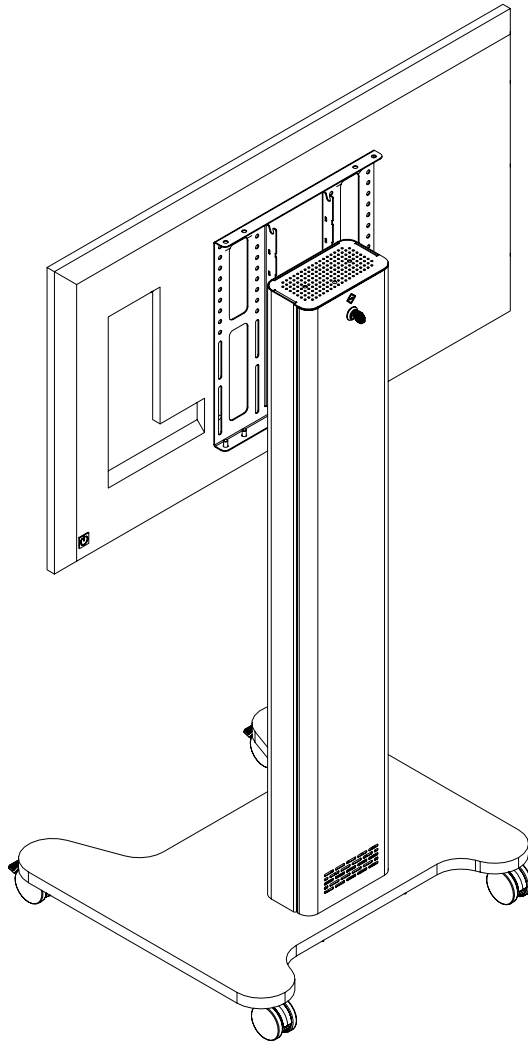


4.2

CLOSE BACK PANEL



**⚠ IMPORTANT NOTE**  
Key must be inserted and turned to close panel



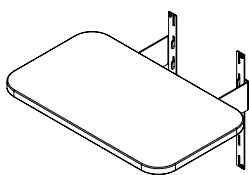
INSTALLATION IS NOW COMPLETE

PLEASE CONSIDER LEAVING THESE INSTRUCTIONS WITH THE UNIT  
IF FURTHER INSTALLATION MAY BE REQUIRED BY OTHERS



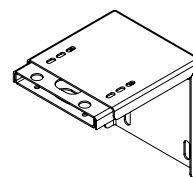
IF YOUR INSTALLATION REQUIRES THE FOLLOWING  
AV/VC INTRO ACCESSORIES PLEASE INSTALL AT THIS STAGE

Shelf Kit



SEE INSTALLATION  
INSTRUCTIONS AVS/021/SLF1

Wall Brace Kit



SEE INSTALLATION  
INSTRUCTIONS AVS/021/WBK1