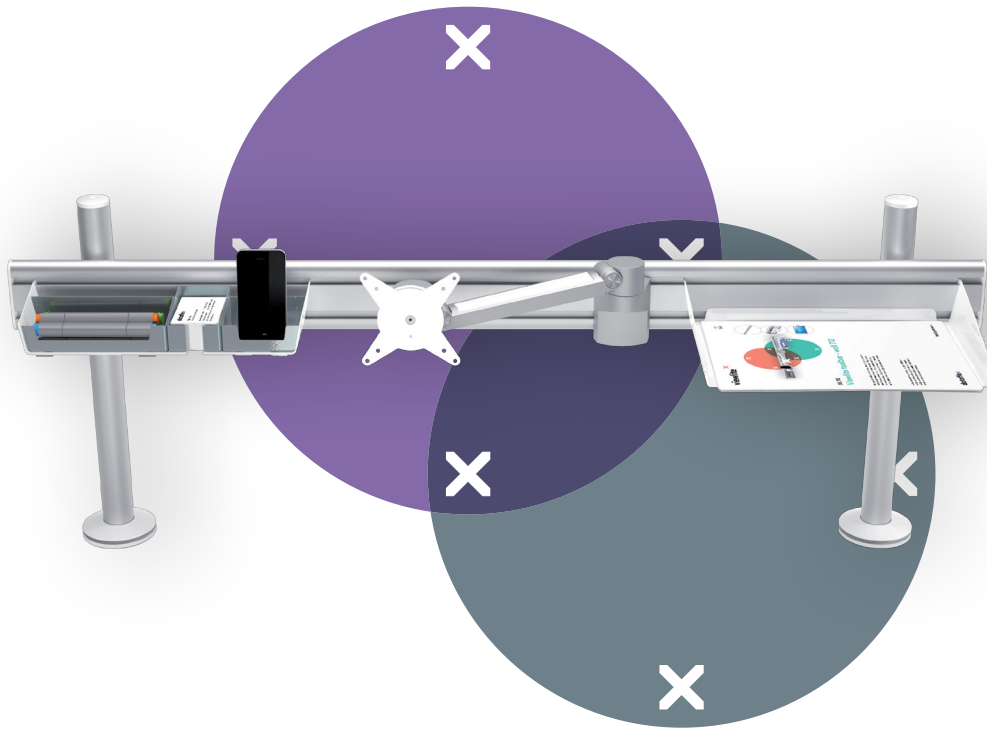


viewlite

Warranty



58.702

Viewlite toolbar - desk 702

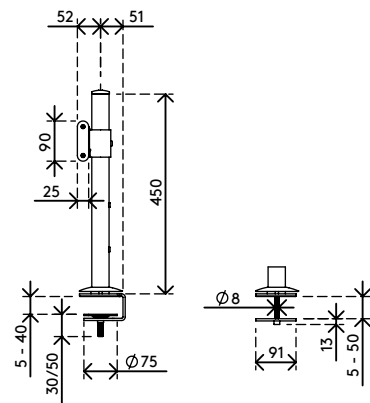
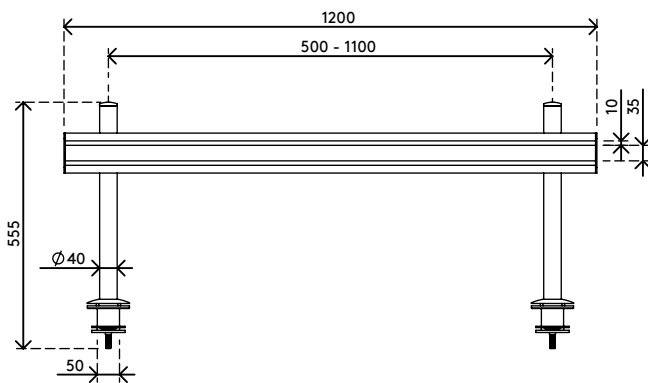
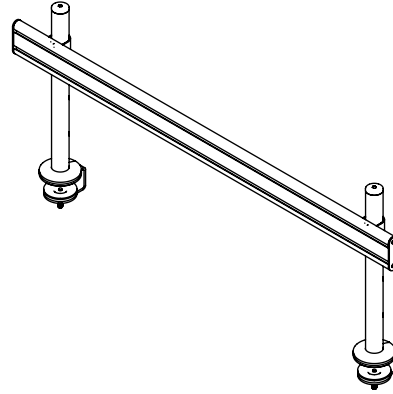
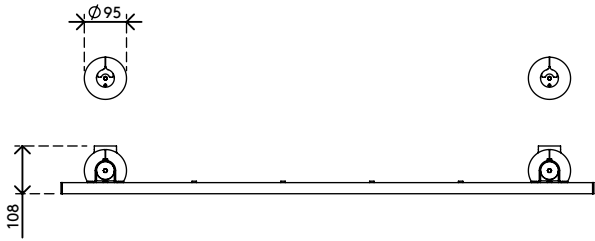
Because the toolbar is front-mounted, you can adjust the distance between its poles. This lets you install it anywhere on a desk, using either a desk clamp mount or bolt-through desk mount. Cables are easily hidden in the toolbar's cable duct to create a tidy, professional impression.

- Toolbar assembly with a rail length of 1200 mm (47,2")
- Comes with a desk clamp mount and bolt-through desk mount
- Cables run neatly inside the toolbar's cable duct
- Suitable for a desktop thickness of 5 up to 40 mm (0,2" - 1,6") (clamp) or 50 mm (2,0") (bolt through)
- Pole height 450 mm (17,7")
- Pole diameter 40 mm (1,6)
- Suitable for max. 3 accessories of 8 kg (17,6 lb) each

dataflex

feeling at work


viewlite X



Viewlite toolbar - desk 702

2020/10/06

58.702

 1300 x 165 x 155 mm

 1 pcs

 silver-white

 7,1 kg

 805410587024