

viewlite



reddit design award
honourable mention 2012



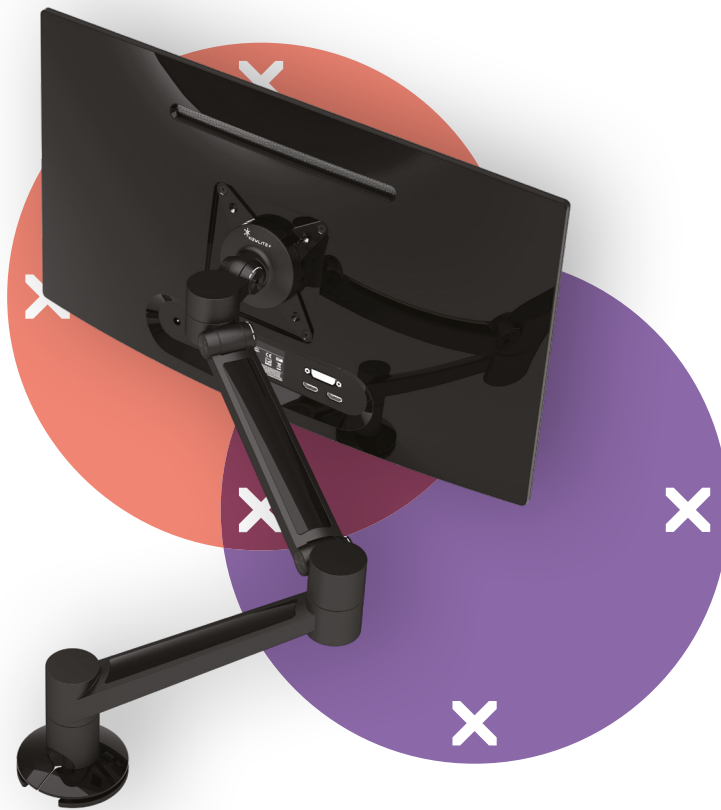
product
design award
2013



ADELON
AWARDS
WINNER 2013



Part of the Exova Group



58.623

Viewlite plus monitor arm - desk 623

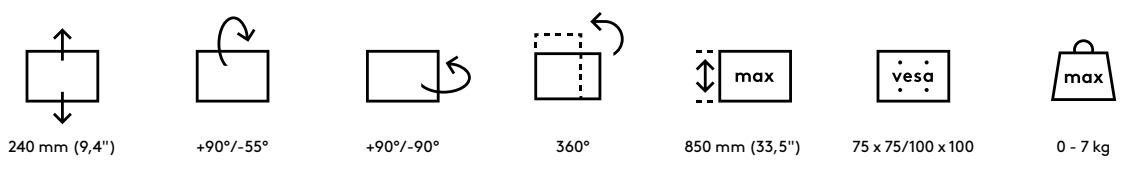
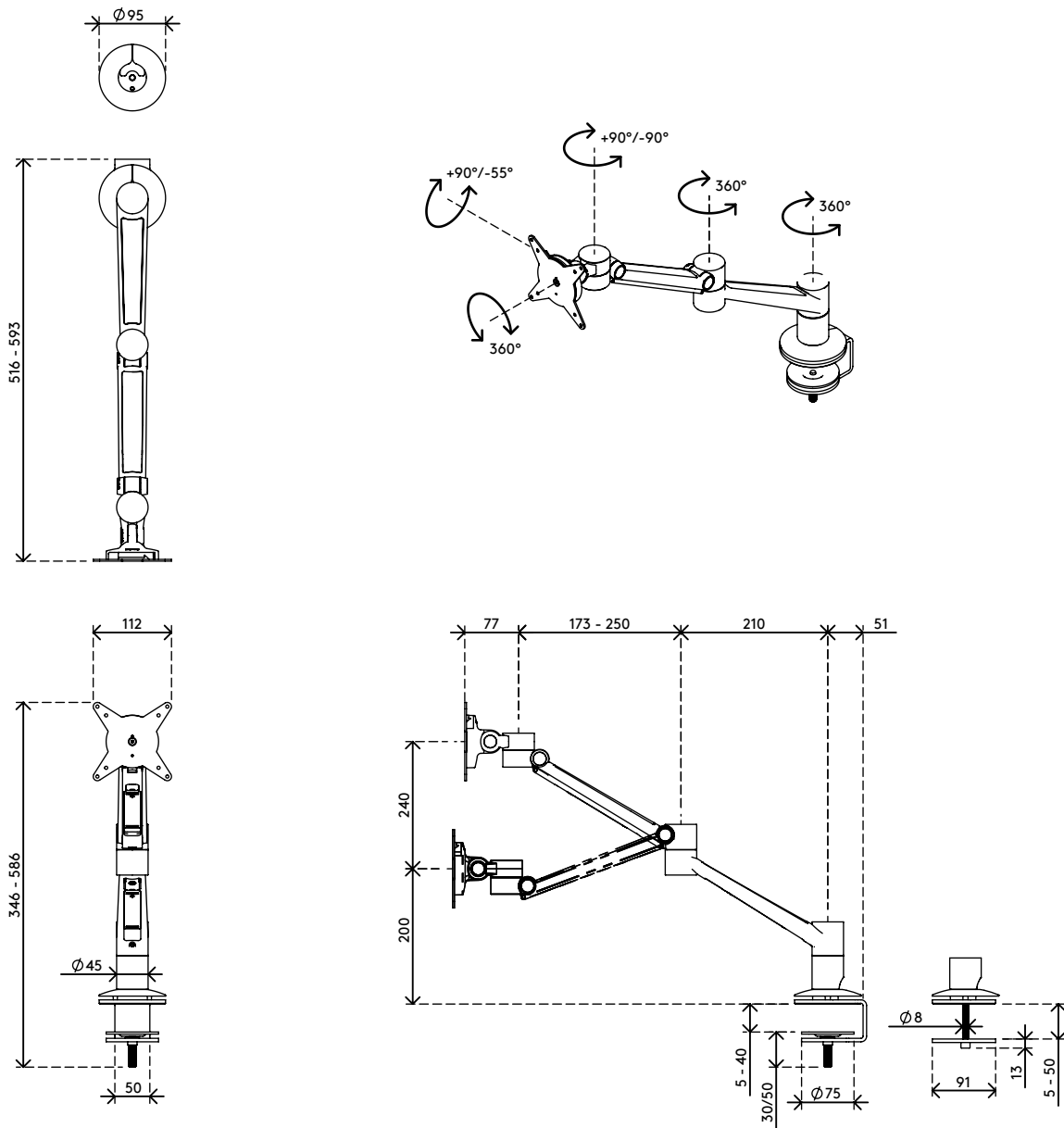
Perfect for hot desking or collaborative working. It's easy to use and with the swivel limiter, which reduces the chance of bumping into walls or desks, you can locate it pretty well anywhere. Cables are easily hidden in the arm's aluminium extensions to create a tidy, professional impression.

- Dynamic height adjustment range of 240 mm
- Independent depth adjustment
- Integrated cable management
- Main components made of aluminium
- 40% of aluminium content is already recycled
- VESA MIS-D 75 x 75/100 x 100 mm compatible
- Monitor: tilt +90°/-55°, swivel +90°/-90°, rotate 360°
- Arm: swivel 360°
- Swivel limiter pre-set to +90°/-90° (can be disabled)
- Weight capacity min. 0 kg - max. 7 kg per monitor
- Comes with a desk clamp mount and bolt-through desk mount
- Suitable for a desktop thickness of 5 up to 40 (clamp) or 50 mm (bolt through)
- Monitor size limit: height 850 mm
- Fitted with a practical quick-release VESA system
- Monitor rotation lock can be enabled

dataflex

feeling at work

viewlite X



Viewlite plus monitor arm - desk 623

2016/11/22

58.623

375 x 265 x 105 mm

1 pcs

black

3,9 kg

805410586232