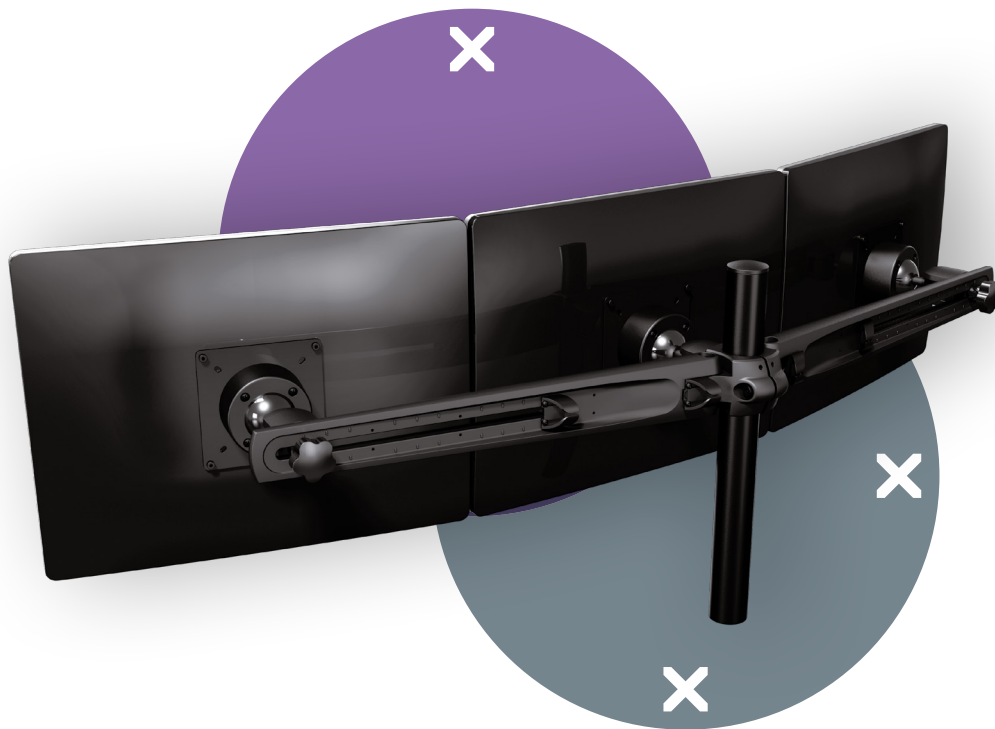


viewmaster^x



53.333

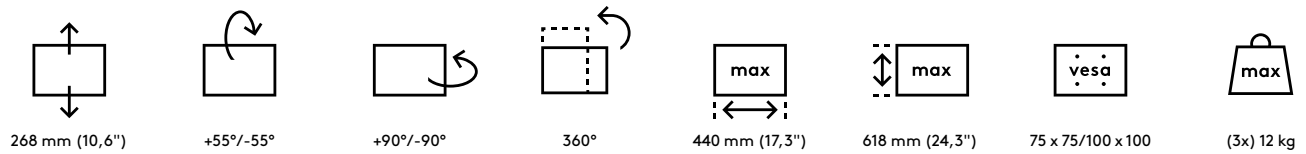
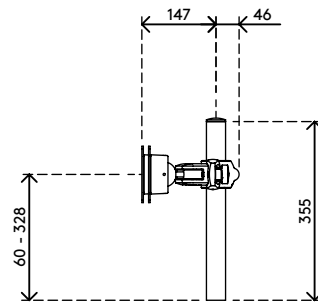
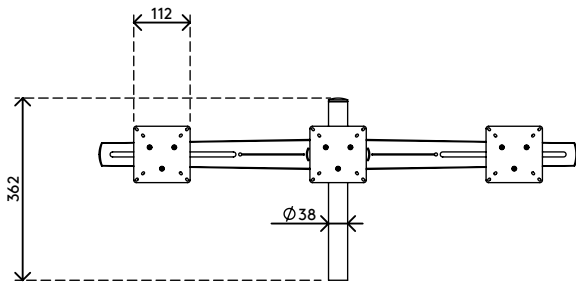
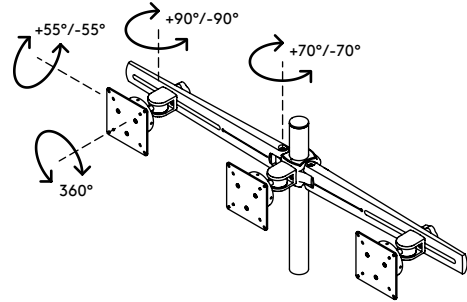
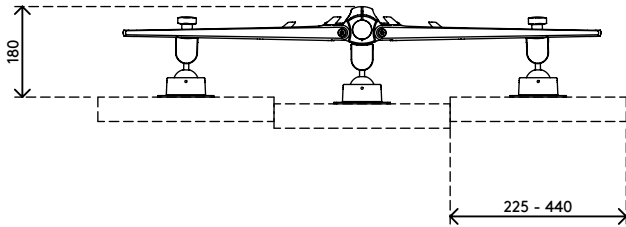
Viewmaster multi-monitor system - desk 333

This model mounts 3 monitors. Like on all other winged multi-monitor systems, each monitor can be adjusted individually. Cable management in the wings tidies up all cables, resulting in an impressive set-up that can be either flat or curved.

- Stepless height adjustment
- For 3 monitors
- Cable clips and loop ties included
- Die-cast aluminium parts
- VESA MIS-D 75 x 75/100 x 100 mm compatible

- Monitor: tilt +55°/-55°, swivel +90°/-90°, rotate 360°
- Weight capacity max. 12 kg per monitor
- Desk mount not included
- Monitor size limit: width 440 - height 618 mm
- Due to excellent stability also suitable for touchscreens


viewmaster x



Viewmaster multi-monitor system - desk 333

2016/11/22

53.333

 530 x 250 x 155 mm

 1 pcs

 black

 6,5 kg

 805410533335