

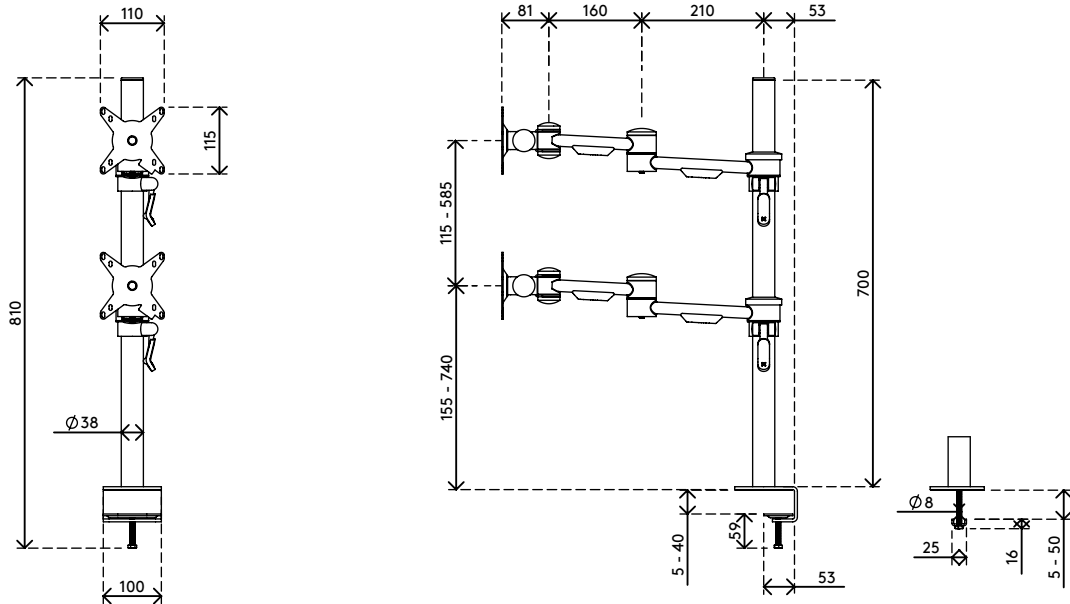
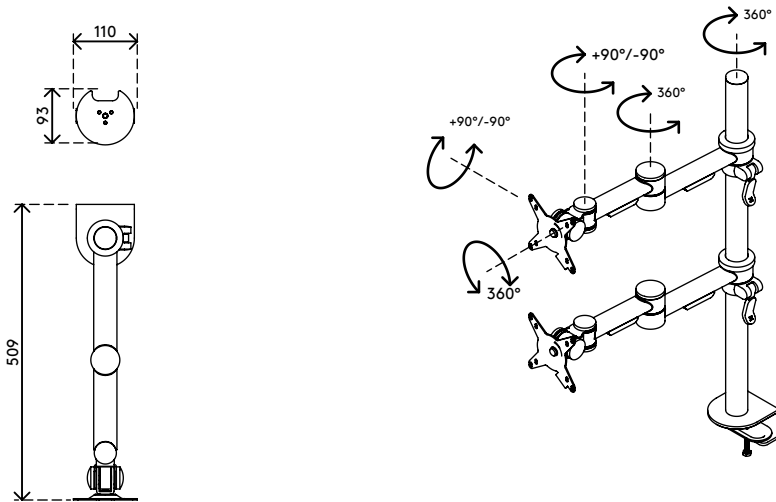
52.682

Viewmate monitor arm - desk 682

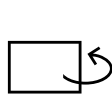
This monitor arm supports two monitors stacked on top of each other, which can be adjusted in height and depth independently. The clamp levers make height adjustment a breeze. An ergonomic design that is robust, cost-effective and easy to use.

- Static height adjustment
- Independent depth adjustment
- Fitted with cable covers and cable loop ties to guide cables tidily
- Main components made of steel
- VESA MIS-D 75 x 75/100 x 100 mm compatible
- Monitor: tilt +90°/-90°, swivel +90°/-90°, rotate 360°
- Arm: swivel 360°
- Weight capacity max. 15 kg per monitor
- Comes with a desk clamp mount and bolt-through desk mount
- Suitable for a desktop thickness of 5 up to 40 (clamp) or 50 mm (bolt through)
- Monitor size limit: height 480 mm
- Easy to adjust in height using a clamp lever

viewmate ^x



+90°/-90°



+90°/-90°



360°



480 mm (18,9")



75 x 75/100 x 100




(2x) 15 kg

Viewmate monitor arm - desk 682


2018/01/09


52.682

 1050 x 170 x 106 mm

 1 pcs

 silver

 6,9 kg

 805410526825