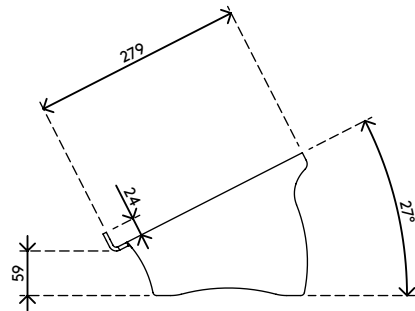
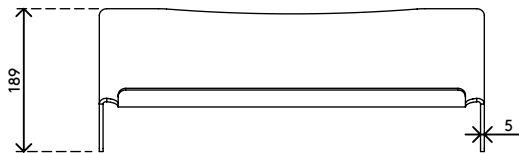
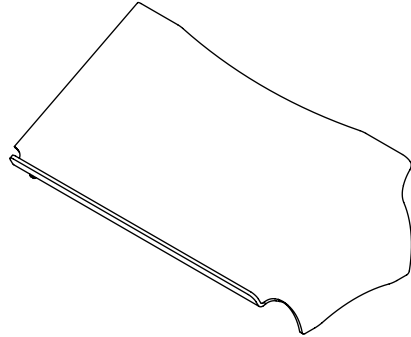
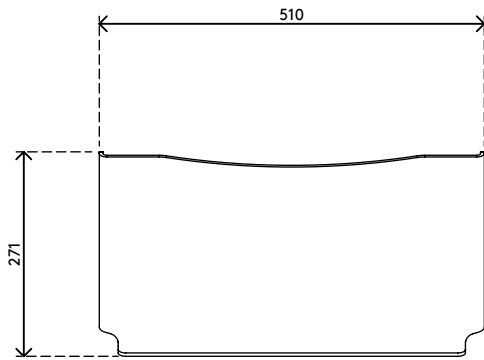


44.410

## Addit ErgoDoc® document holder 410

A very effective, fixed height, A3 copy holder. By placing the ErgoDoc® in between a keyboard and monitor, you create an in-line workstation with an equal viewing distance to keyboard, documents and monitor. This results in minimal eye fatigue and less neck strain. With storage space underneath for a keyboard.


- Suitable for documents/books/folders/dossiers etc. up to A3 size
- Aligns documents and monitor in a straight line, preventing eye fatigue and neck strain
- Saves desk space
- Dimensions (w x d x h): 510 x 270 x 190 mm
- Fixed height
- 5 mm thick clear acrylic
- Max. weight capacity of 6 kg
- Lift up the ErgoDoc® for keyboard storage space



## Addit ErgoDoc® document holder 410


2016/11/22

# 44.410

 600 x 310 x 200 mm

 1 pcs

 clear acrylic

 1,655 kg

 805410444105