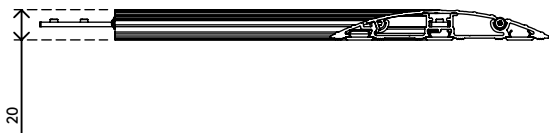
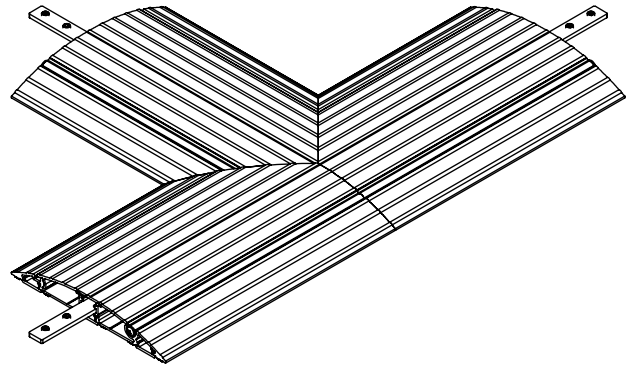
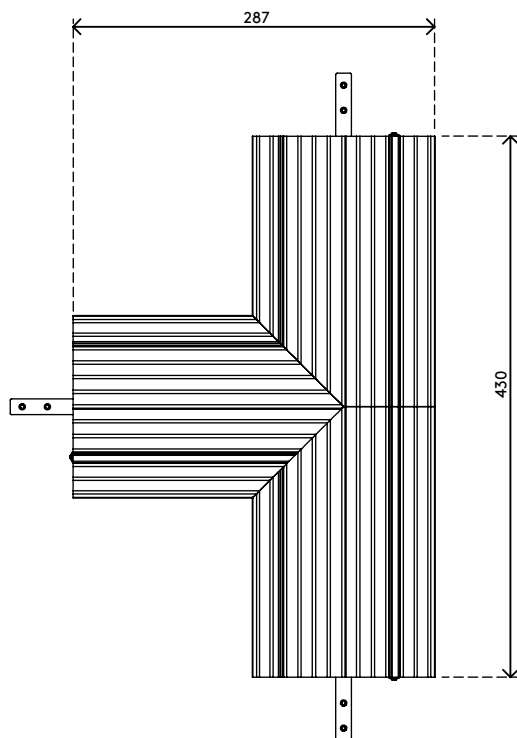
**31.462**

Addit cable protector - T-connection 462

This Addit cable protector makes it easy to safely get cables across to where you need them to be. The sturdy aluminium construction protects both people and cables by keeping them out of each other's way. Additionally, the hinged cover makes it easy to place, remove or switch out any cable in a matter of seconds.

This T connection is the ideal solution to connect cables from several sources.

- Made from 80% recycled aluminium
- Ridged top ensures safe slip resistant surface
- Able to carry loads of up to 500 Kg's
- Suitable for 10 cables of 7 mm (0,3") thickness
- Hinged cover provides easy top access to cable ducts
- Underside ridges and friction strips provide grip on all floor types
- Fully recyclable aluminium assembly
- T connection



Addit cable protector - T-connection 462

2020/10/06


31.462

 420 x 300 x 30 mm

 1 pcs

 silver

 1,4 kg

 805410314620