


Introducing Flo X





Taking large format and multi-screen support to new ergonomic heights

Flo X is the latest evolution of high load monitor support from Colebrook Bosson Saunders, capable of holding heavy screens up to 43", as well as dual and triple monitors. Its dynamic functionality and considered ergonomics mean you can quickly and easily establish the optimal working position, enhancing productivity and wellbeing. Finished in range of colour options, Flo X is sure to fit right into your workspace.

EFFORTLESSLY ERGONOMIC

Flo X's dynamic adjustment allows you to move even the largest and heaviest of screen to the optimal position with absolute ease. And that's not just convenient, it ensures your head is in a neutral, balanced position, reducing musculoskeletal stress and decreasing the likelihood of injury. Correct posture also improves breathing and oxygen intake, reducing fatigue and boosting concentration levels.

NEXT GENERATION TILT

Using the next generation of our D-ring tilt mechanism, you get all the existing benefits of fingertip adjustability and easy-to-balance tilt, but now able to accommodate even bigger screens and curved formats.

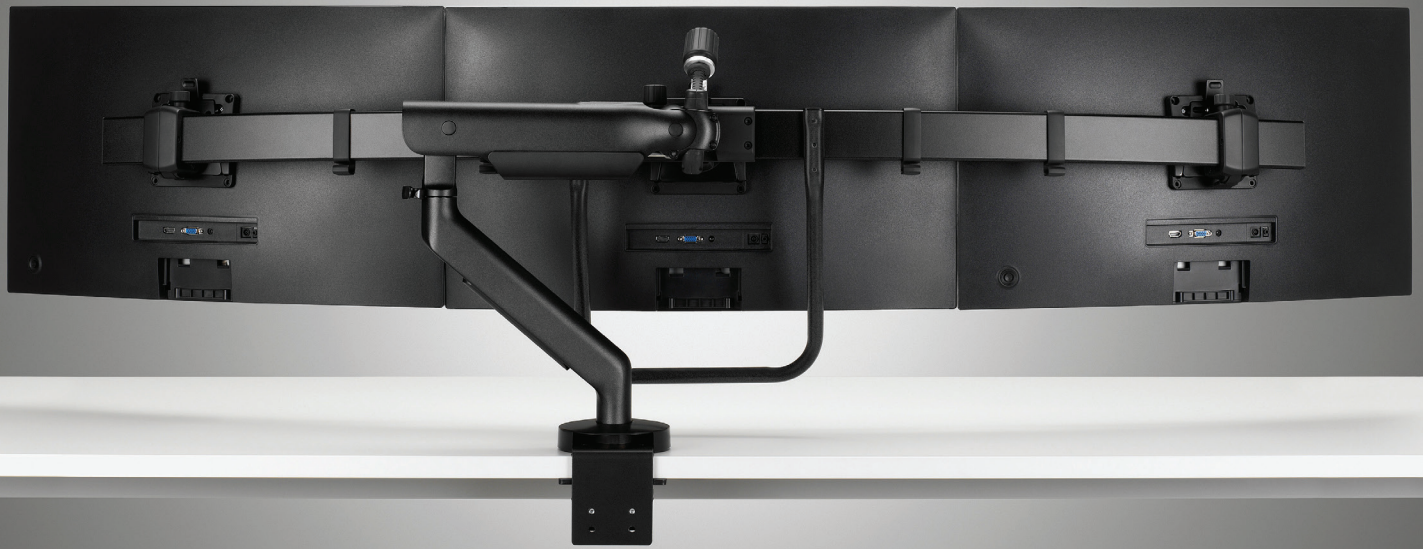
Tilting your screen allows you to eliminate glare and reflections to minimise visual fatigue and digital eye strain.

DUAL SPRING TECHNOLOGY

Our unique dual spring technology has the power to accommodate a range of large screen sizes and weights up to 18kg. But with future-proof flexibility built in, Flo X can also be configured to support lighter screens (down to 3kg), catering to the current trend of large monitor screens becoming lighter. Hence giving you the flexibility to choose the best screen to suit your workspace and your needs.

FIND THE PERFECT ERGONOMIC POSITION IN SECONDS

No matter the size of your screen, Flo X's dynamic, fingertip adjustment means you can perfectly position, tilt and also flip your screen from landscape to portrait and back effortlessly. That's not just convenient, it helps you avoid the stresses and strains of awkward postures caused by poor positioning and repetitive scrolling.



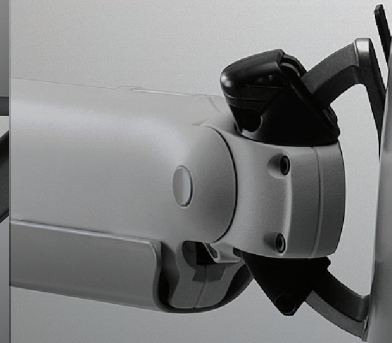
HEAVY SCREEN SUPPORT UP TO 18KG - PERFECT FOR SINGLE, DUAL AND TRIPLE MONITOR CONFIGURATIONS



FINE HEIGHT ADJUSTMENT
ACROSS MULTIPLE MONITORS



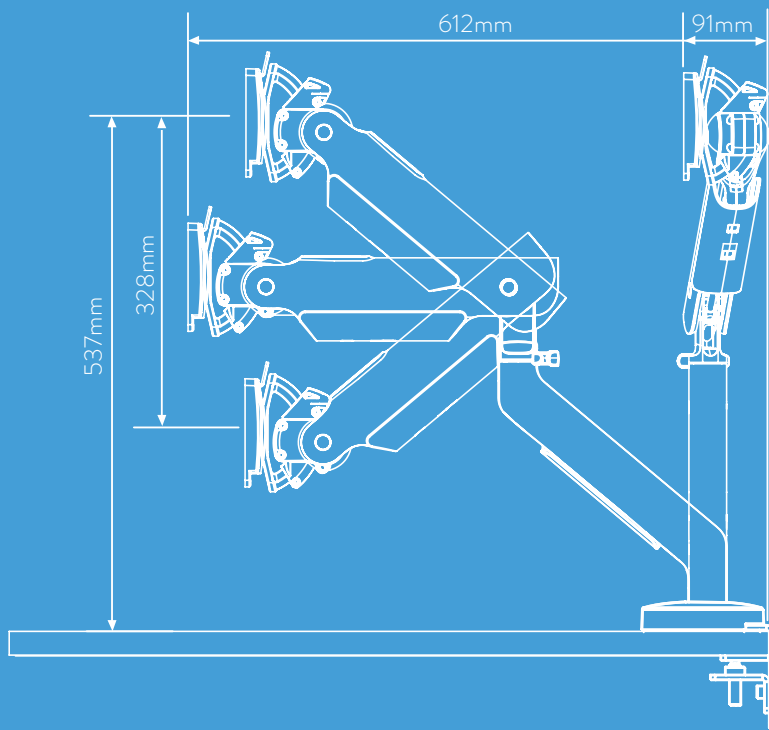
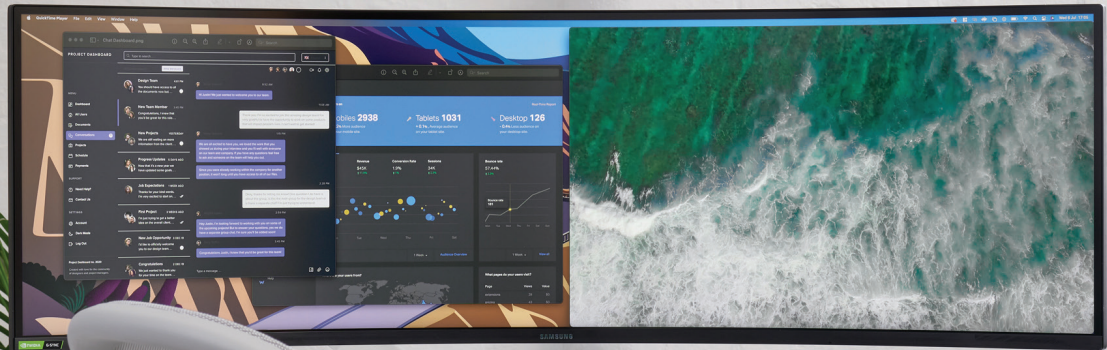
EFFORTLESS ADJUSTMENT
WITH HANDLE



NEXT GENERATION D-RING TILT
ENSURES PERFECT POSITIONING



ACCOMMODATE A RANGE OF MONITOR SIZES AND WEIGHTS, UP TO 18KG



OVERVIEW

- Available in single, dual and triple screen configurations
- Effortless ergonomic adjustment
- Supports up to 18 kg
- Dual spring technology
- Next generation D-Ring tilt

SINGLE
18 kg
39.6lb

DUAL
8 kg | **8 kg**
17.6lb | 17.6lb

TRIPLE
5 kg | **5 kg** | **5 kg**
11lb | 11lb | 11lb

MADE IN EUROPE

SLEETS
WHITE | BLACK

12 YEAR WARRANTY

*Available colour options may vary per geographic region

info@cbsproducts.co.uk
+44 (0)207 940 4266
www.colebrookbossonsaunders.com

 **colebrook bosson saunders**