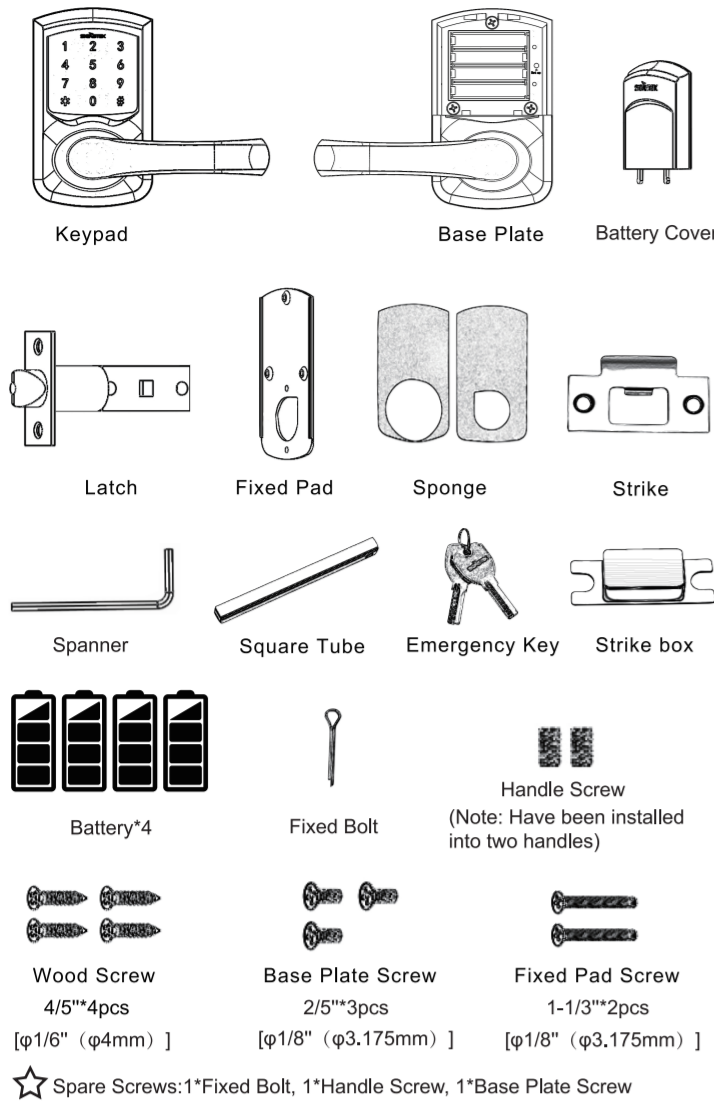


Electronic Touchscreen Door Lock User Guide

A. Package Contents

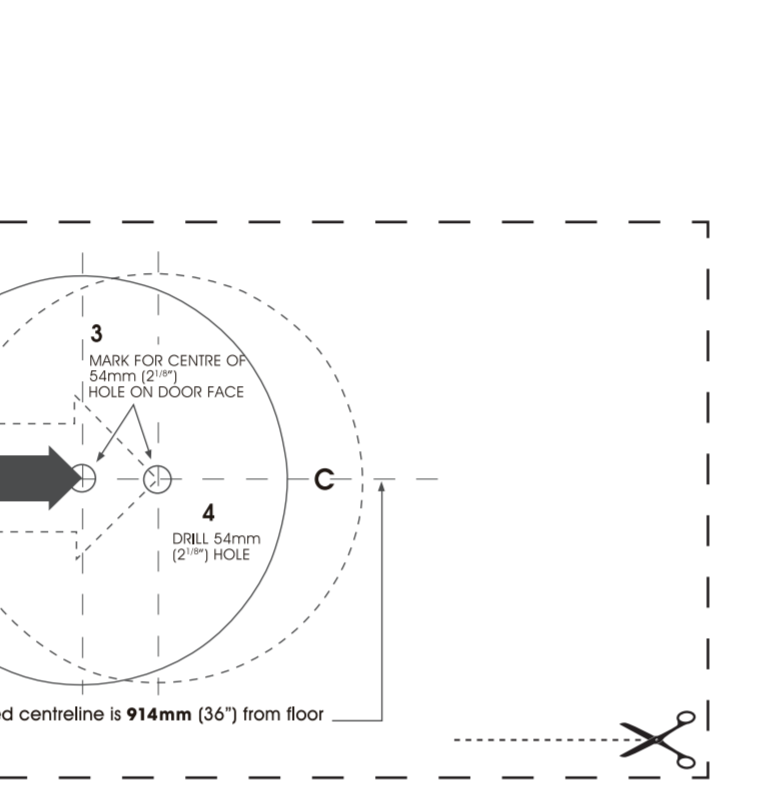
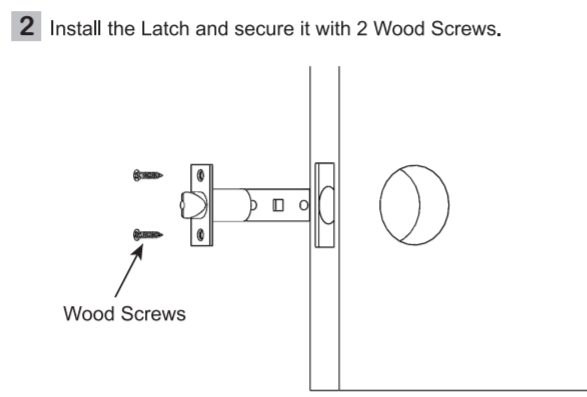



B. Product Features

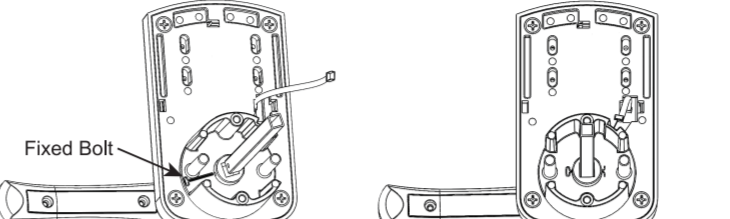
1. Touchscreen Keypad with blue backlight
2. Hidden mechanical keys for emergency
3. Mute Unlock ensures the safety of your passwords
4. Interchangeable door handle on left and right
5. Low battery alarm
6. Anti-peep password

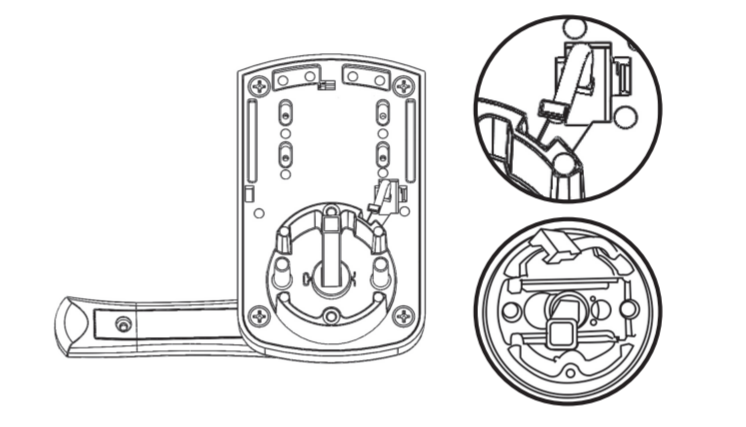
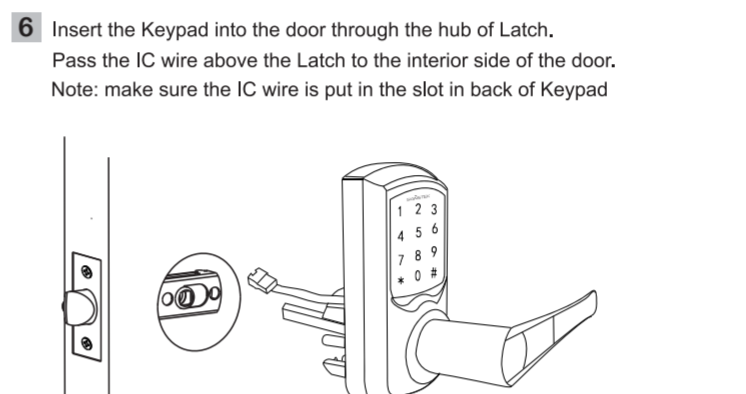
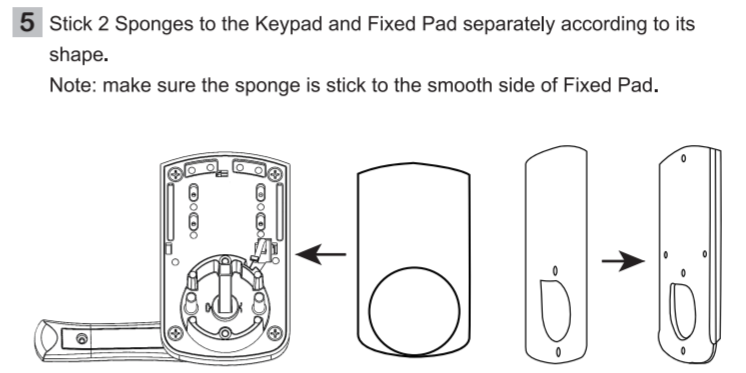
C. Installation

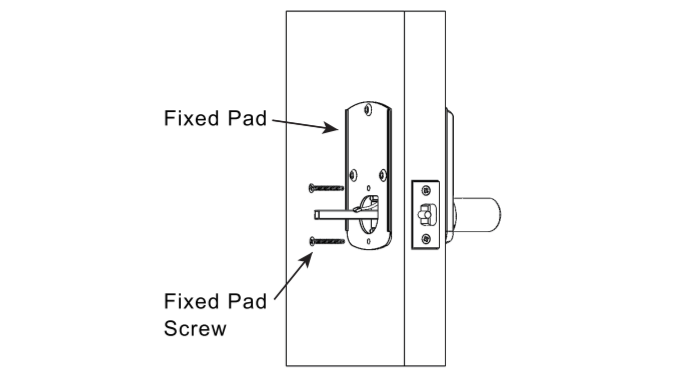
1. Punching in the door according to the dimension requirement.
 - 1) Backset is distance from door edge to centre of hole on door face, adjust Latch fit both backset of 2-3/4" (70mm) or 2-3/8" (60mm).
 - 2) Select the height and backset as desired on the door face; use the Template as an indication to mark the centre of the circle on the door face and the centre of the of the door edge.
 - 3) Use the marks as a guide to drill a hole ϕ 2-1/8" (54mm) through the door face for the lockset, then a hole of ϕ 1" (25.4mm) for Latch.



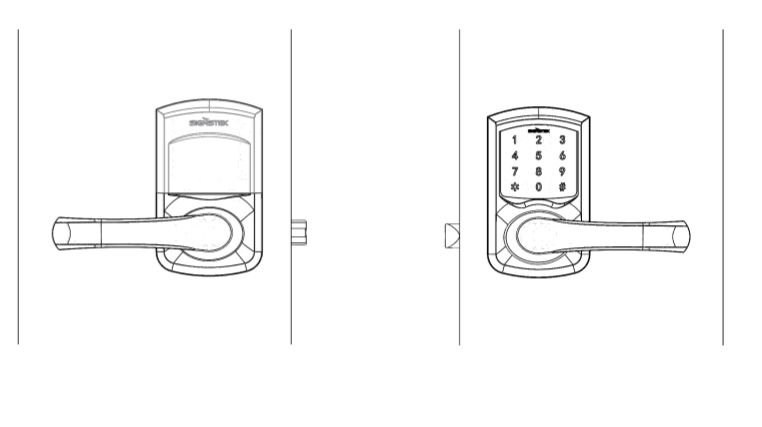
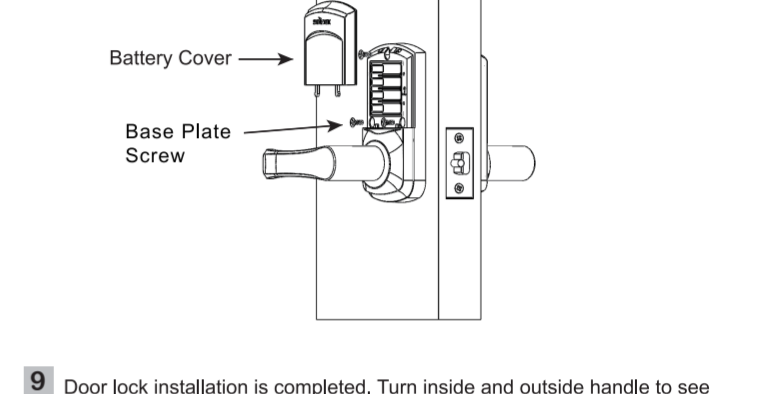
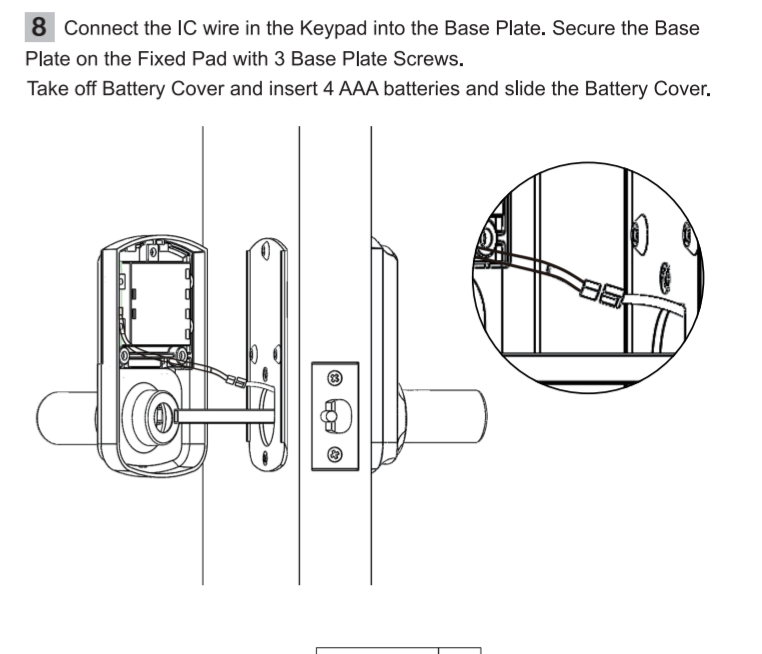
3. Install Strike
 

Close door and mark horizontal centre of Latch on to door frame. Mark vertical line where door edge meets frame and measure in half of door thickness to find vertical centre. Extend both lines until they intersect and drill a 1"(25.4mm) hole to 1/2"(15mm) depth. Position Strike plate and mark around edge. Chisel fram to approx 1/16"(1.6mm) depth or until Strike sits flush. Using two Wood Screws fix Strike to the frame.
4. Put the Square Tube into the keypad, Secure the Square Tube with a Fixed Bolt to ensure that the Square Tube will not fall off (very important).
 

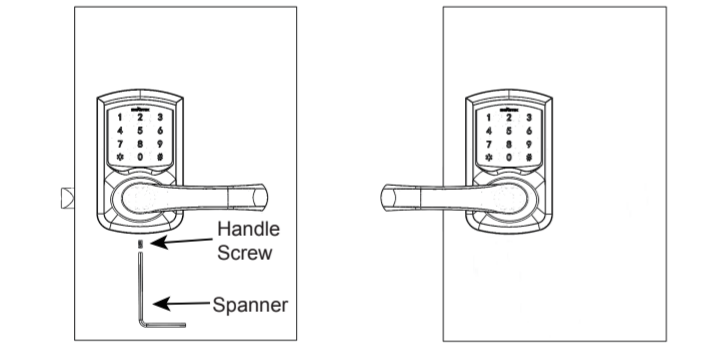


7. Install the Fixed Pad with two Fixed Pad Screws, and make sure it is paralleled with Keypad and door edge.
 

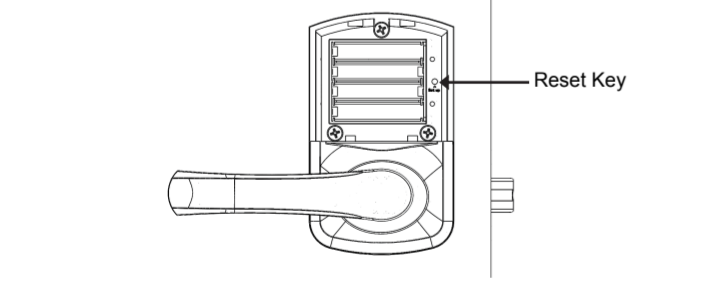
Note: make sure Sponge side is near to door.



10. Change Lever Handle: use Spanner to loosen slightly the Handle Screw under the handle. Then change the handle from one side to other side.



11. Reset Factory settings: Take off the Battery Cover, and insert a pin into the hole next to the batteries for 5 seconds. Five long beeps will indicate the restoration is completed.



6. Delete all User Code (UC) at once:

Enter PC → # → Enter *0000 → # → ✓
7. Stay unlocked settings:

Enter PC → # → Enter *# → ✓

Press * # again invalid unlocked settings.
8. Toggle Mute on/off:

Enter # → Enter UC → # → ✓

This setting is just for one time.

9. Code privacy:

You can add any digits around the code, the digits length can up to 40 including correct codes. As long as the correct code is surrounded around the 40 digits, you can unlock the door.

For example: your UC is 1234
You can enter "45671234789" to unlock the door.
10. Restore Default Settings:

Take off the batteries cover, and insert a pin into the hole next to the batteries for 5 seconds. Five long beeps will indicated the restoration is completed.

Tip:
If you hear tick for 10 sounds after unlocking, that means the battery will run out, please replace the battery.

D. Programming Guide (code length: 4-12 Digits)

1. Create New Programming Code (PC):

You must create a programming code when you use this lock in the first time. Enter any code with # unlock this locker, then to create PC as follows step.

Enter * → Enter PC → # → Enter PC → # → ✓
2. Create New User Code (UC):

Enter * → Enter PC → # → Enter UC → # → Enter UC → # → ✓

Up to 99 sets of User Code can be saved.
3. Modify Programming Code (PC):

Enter * → Enter PC → # → Enter New PC → # → Enter New PC → # → ✓
4. Modify User Code (UC):

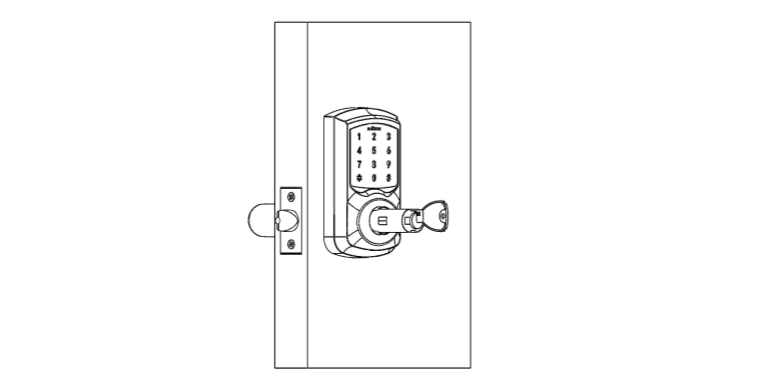
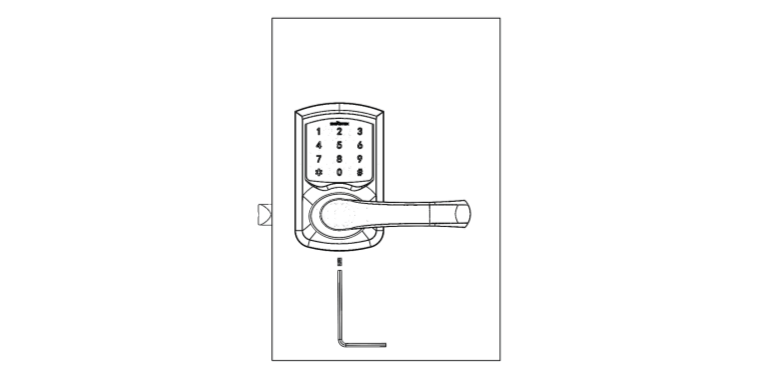
Enter * → Enter UC → # → Enter New UC → # → Enter New UC → # → ✓
5. Delete Individual User Code (UC):

Enter PC → # → Enter *0 → # → ✓

Enter *01: delete the first group of user code.
Enter *02: delete the second group of user codes, etc.

E. Unlock the Door

The lockset will be unlocked by emergency key or pressing User Code on Keypad from outside.



F. Notes

1. If you forget the UC, please enter the PC to unlock the door.
2. If you forget the PC, please restore the factory settings.
3. If you notice that the battery will run out, please replace the battery immediately to ensure that the lock is properly used.
4. When replacing the battery, please be sure not to reverse the batteries.
5. Attention: there are a lot of electronic parts inside the lock. The water will interfere with the electronic circuit although the lock is waterproof.
6. Don't use hard, sharp objects carve the keyboard to prevent the finger not sensing the keypad.
7. Don't use corrosive substances contact with the surface of the lock to damage the protective layer of the lock and affect the appearance.
8. To avoid the use of lock rotation is not flexible after a long period of using, please filling a small amount of mechanical lubricants in the lock cylinder position.

G. Trouble shooting

1. Disconnected Well.
 - Check whether the power line is well connected.
 - Check whether the four AAA Alkaline batteries are loaded.
 - Check whether the positive and negative of the four batteries are not reserved.
2. Does not unlock lock
 - Code is invalid. Set the code correctly, and the codes of digits cannot be less than 4 digits.
 - Please be sure that keypad light off, and then enter any PC or UC when you unlock the door.
 - Enter the correct code and press the key"#", turn the handle within counting down 5 seconds.
3. It only works for a few months after the door lock is installed.
 - Maybe you used a poor battery such as carbon battery. Good alkaline batteries will make this lock work for over 1 year. Please replace the battery.

H. Lock Parameters

1. Power supply: DC6V, 4 AAA batteries
2. Quiescent current \leq 30uA
3. Working current \leq 250mA
4. Installation specifications:
 - Door thickness 1.38inch-1.97inch
 - Door edge to circle center distance: 2.36inch or 2.76inch (adjustable)
5. Front plate size: length 5.12inch X wide 3.07inch X height 1.18inch
6. Rear plate size: Length 5.12inch X Width 3.07inch X Height 0.98inch
7. Handle size: Length 5.20inch X Width 1.18inch X Height 1.89inch

User codes (Up to 99 sets of User Code can be Saved)

Name	User code	1	2	3	4
Example:					

I. Warranty

Thank you for purchasing our product from our Signstek store.

The warranty period is within 2 years from the date of purchasing.

This limited warranty does not cover human-made damage; the appearance was artificially stained, scratched, broken, stains and so on.

This limited warranty does not cover any damage, deterioration or malfunction resulting from the repair or installation of this product by anyone unauthorized by Signstek.

Any questions please contact us:
Website: www.signstek.com
Mail: sales@signstek.com

