

Part of the
Whitesales Group



www.rynogroup.co.uk 01358 726000

Complete surface
solutions for terraces,
balconies and
podiums.

RYNO  TerraceDeck™
RYNO  AluTerrace™



GROUND-BREAKING FINISHING SYSTEMS

Ryno is an innovative company, bringing ground-breaking finishing solutions to the construction sector. Every product within the Ryno family is designed to make life easier, safer and better for you.

Not only do we help you meet day-to-day challenges, but we're always looking ahead to develop breakthrough products that revolutionise the industry.

As long as there are challenges out there, Ryno will meet them head-on, with clever solutions that you'll love.

Any questions?
Give us a call on **01358 726000**
or email us at sales@rynogroup.co.uk



RYNO TerraceDeck™	PAGE 4
MicroTerrace™	PAGE 6
MidiTerrace™	PAGE 8
UltraTerrace™	PAGE 10
Signature Deck Boards	PAGE 12
Classic Deck Boards	PAGE 14
Aluminium Decking Joist	PAGE 16
Support Systems	PAGE 18
RYNO AluTerrace™	PAGE 20

With demand for space in cities continuing to soar, it becomes increasingly worthwhile to integrate terraces, roof decks and balconies into building plans.

RynoTerraceDeck™ complete decking systems provide an easy way to deliver beautiful terrace spaces with longevity: combining high performance composite decking and substructure.

Contact our sales team for support throughout your full project: from specification to installation.



MicroTerrace™

47-72mm height build-up
The lowest-height decking solution on the market.

PAGE 6



MidiTerrace™

70-103mm height build-up
The ideal system for most terraces, balconies and podiums.

PAGE 8



UltraTerrace™

104-1097mm height build-up
The ultimate decking solution, with massive height variability and unbeatable strength and longevity.

PAGE 10



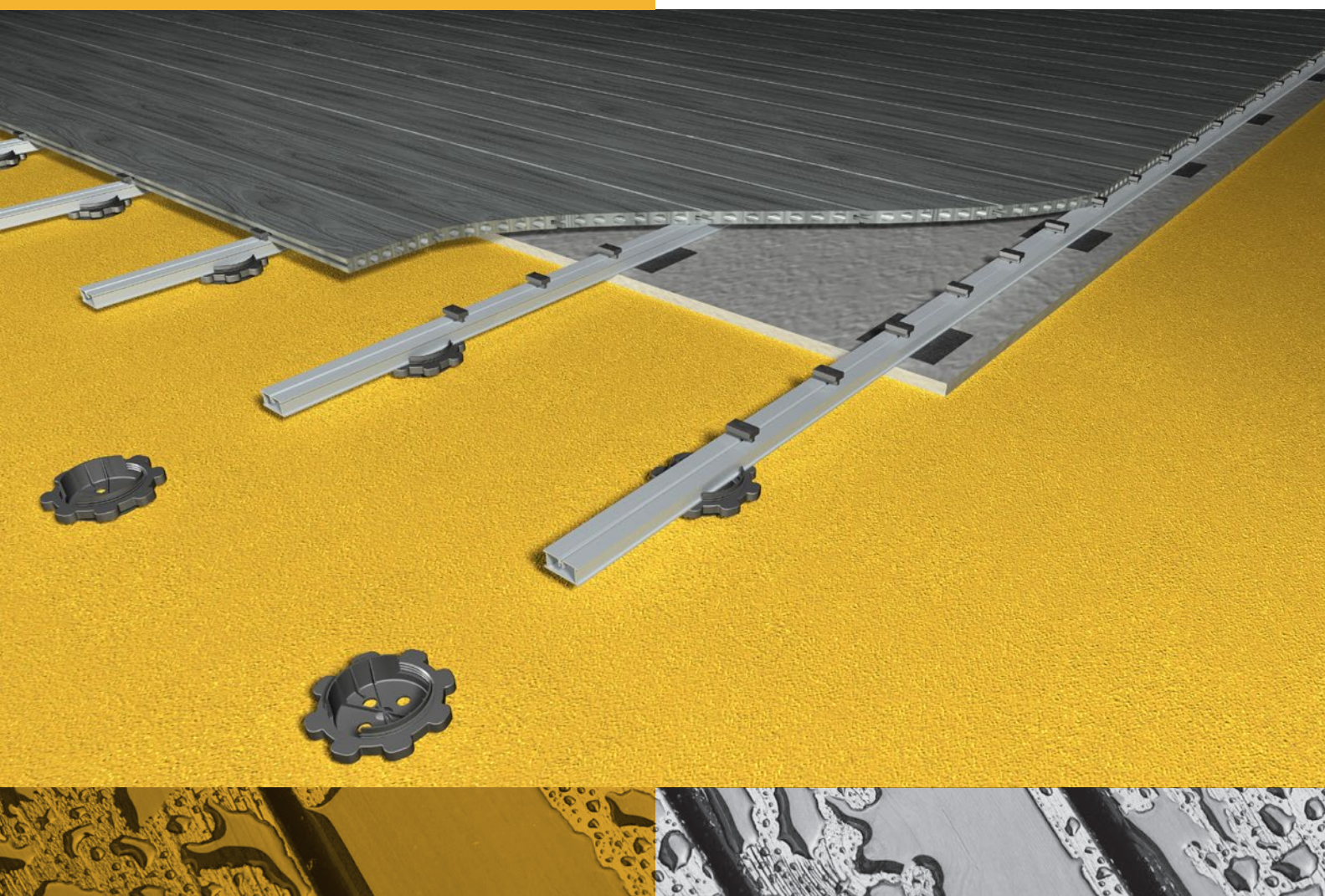
MicroTerrace™
47-72mm height build-up

The lowest terrace system on the market, we created MicroTerrace™ to stop surface height restrictions causing compromises when it comes to creating beautiful spaces.

- Unbeatable strength at the lowest possible height
- Ideal for areas with low door thresholds
- Perfect for balconies
- Simple design, rapid installation



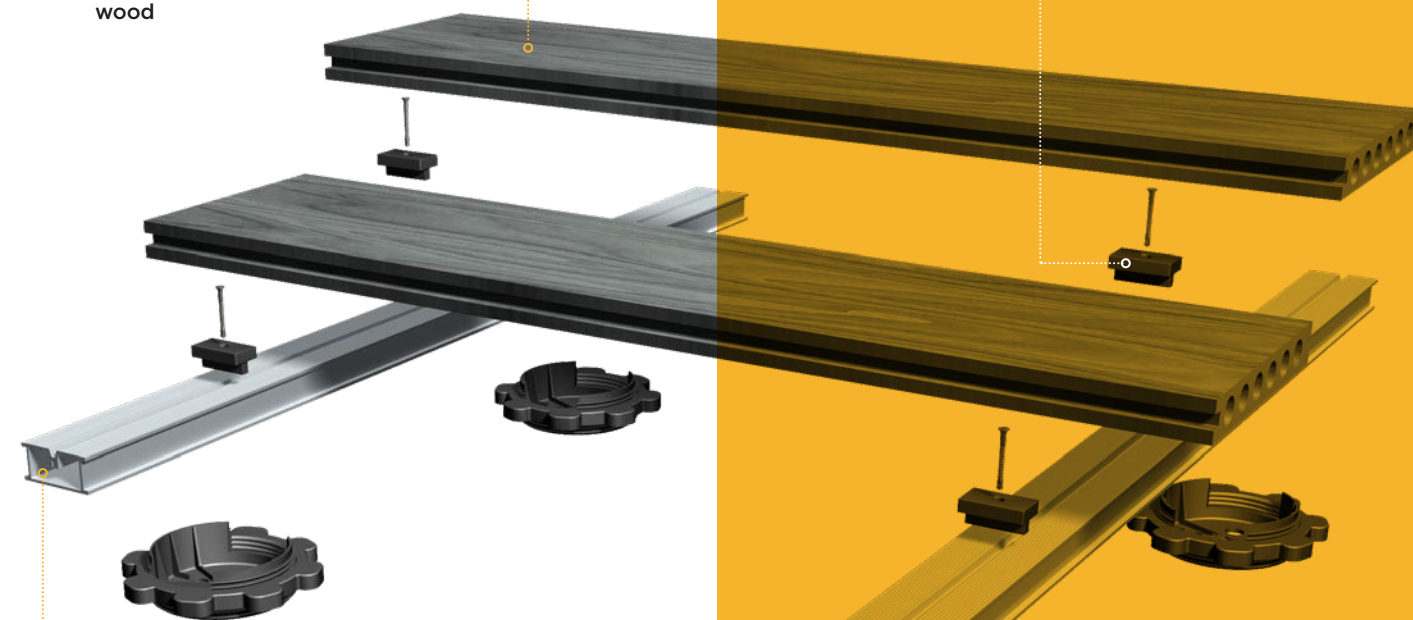
MicroTerrace total height build-up



Composite deck boards

3 finishes and 8 distinctive colour choices available (see pages 12-15)

- Long-lasting: will not rot, warp or twist
- Non-slip and splinter-proof
- No need to treat or stain
- Manufactured from FSC® certified wood



DS22 Aluminium Decking Joist

The lowest self-supporting joist on the market, Ryno 22mm aluminium joists have a greater strength-to-size ratio than traditional timber or composite joists, imposing less weight on supporting roof structures.

- Continuous fixing channel designed to offer optimum strength
- Will not warp, twist, splinter or crack
- Always completely straight, ensuring perfectly even decking
- Very simple connection methods make installation fast and simple
- Available in mill finish or black powder coated



Hidden fixings

Plastic T-clip and stainless steel screw make installation fast and simple, creating a 6mm gap between deck boards.

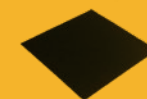


RDC10-25 Adjustable joist cradle

The lowest ever Ryno joist cradle, designed especially for very low-height applications.

- Allows height to be built up to 25mm, easily accommodating small height variances
- Easy grip ring allows millimeter perfect adjustment
- Height-adjustable even after joist has been moved into place

For lower height applications, replace with:



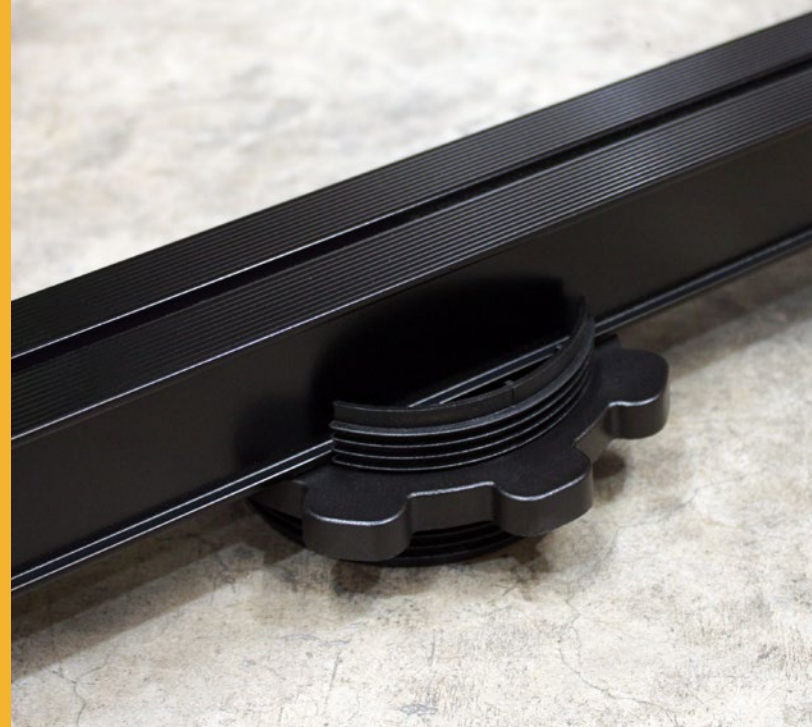
Rubber Support Pad
Minimum thickness 3mm

MidiTerrace™

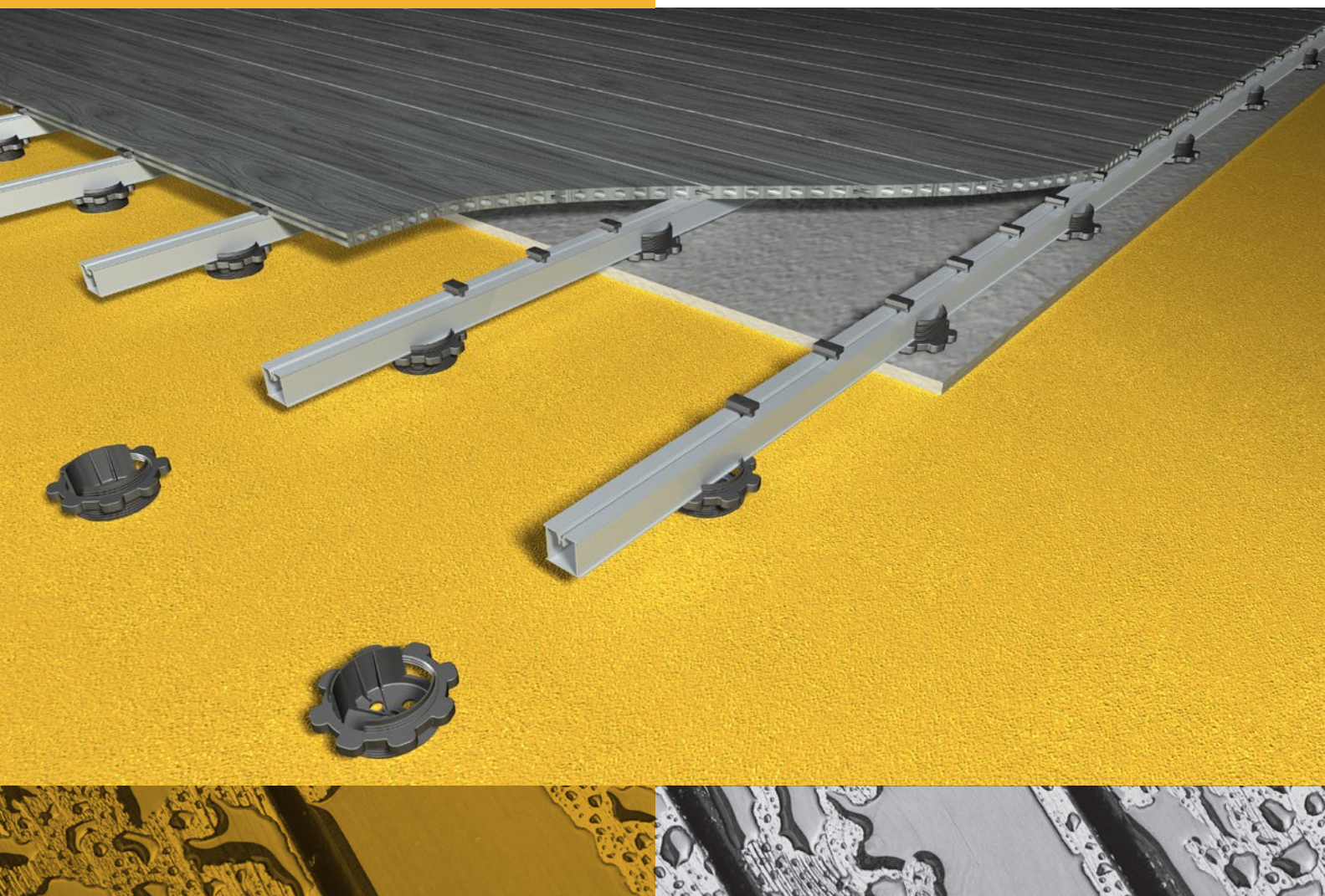
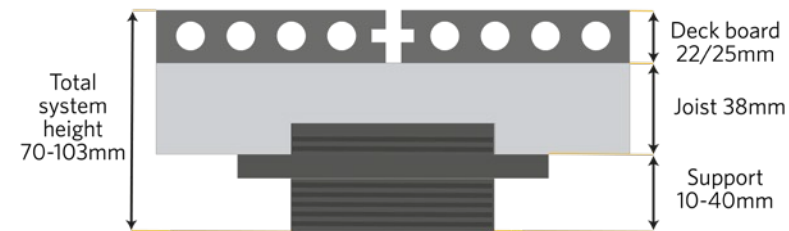
70-103mm height build-up

The 10-40mm adjustable cradle is the foundation of MidiTerrace™ and helps create a system which is equally strong and simple to use.

- Popular system with architects, specifiers and installers alike
- Ideal for most balconies, podiums and terraces
- Simple design, rapid installation



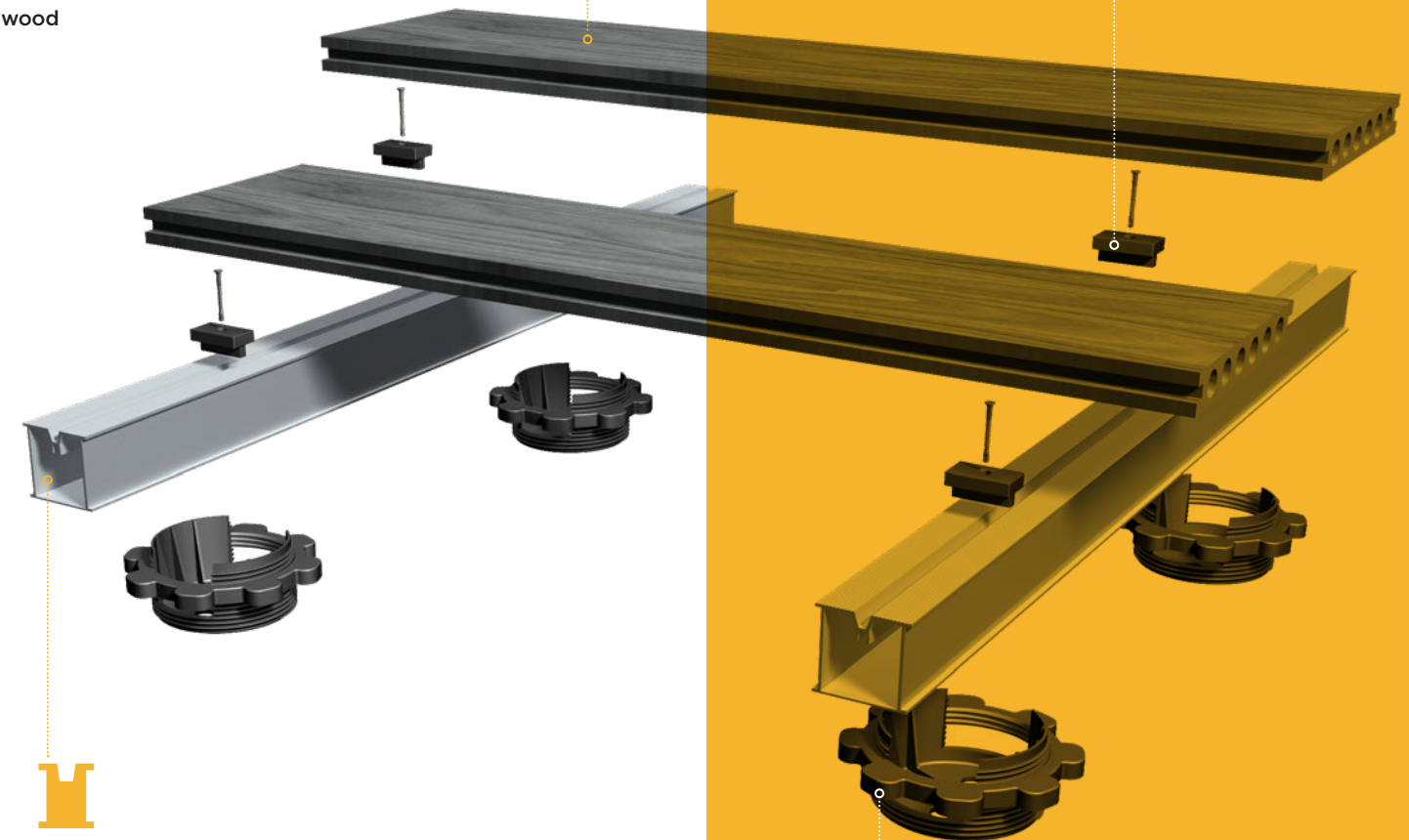
MidiTerrace total height build-up



Composite deck boards

3 finishes and 8 distinctive colour choices available (see pages 12-15)

- Long-lasting: will not rot, warp or twist
- Non-slip and splinter-proof
- No need to treat or stain
- Manufactured from FSC® certified wood



DS38 Aluminium Decking Joist

Ryno 38mm aluminium decking joist is super-light, with a greater strength-to-size ratio than both timber and composite joists.

- Continuous fixing channel designed to offer optimum strength
- Will not warp, twist, splinter or crack
- Always completely straight, ensuring perfectly even decking
- Very simple connection methods make installation fast and simple
- Available in mill finish or black powder coated

T

Hidden fixings

Plastic T-clip and stainless steel screw make installation fast and simple, creating a 6mm gap between deck boards.

RDC10-40 Adjustable Joist Cradle

Popular with architects, specifiers and installers alike, the 10-40mm adjustable joist cradle is a simple-to-use support option.

- Offers joist support with infinite adjustment between 10-40mm
- Easy grip ring allows millimeter perfect adjustment
- Height-adjustable even after joist has been moved into place
- Creates a clear space beneath joists, improving air circulation and preventing rot

UltraTerrace™

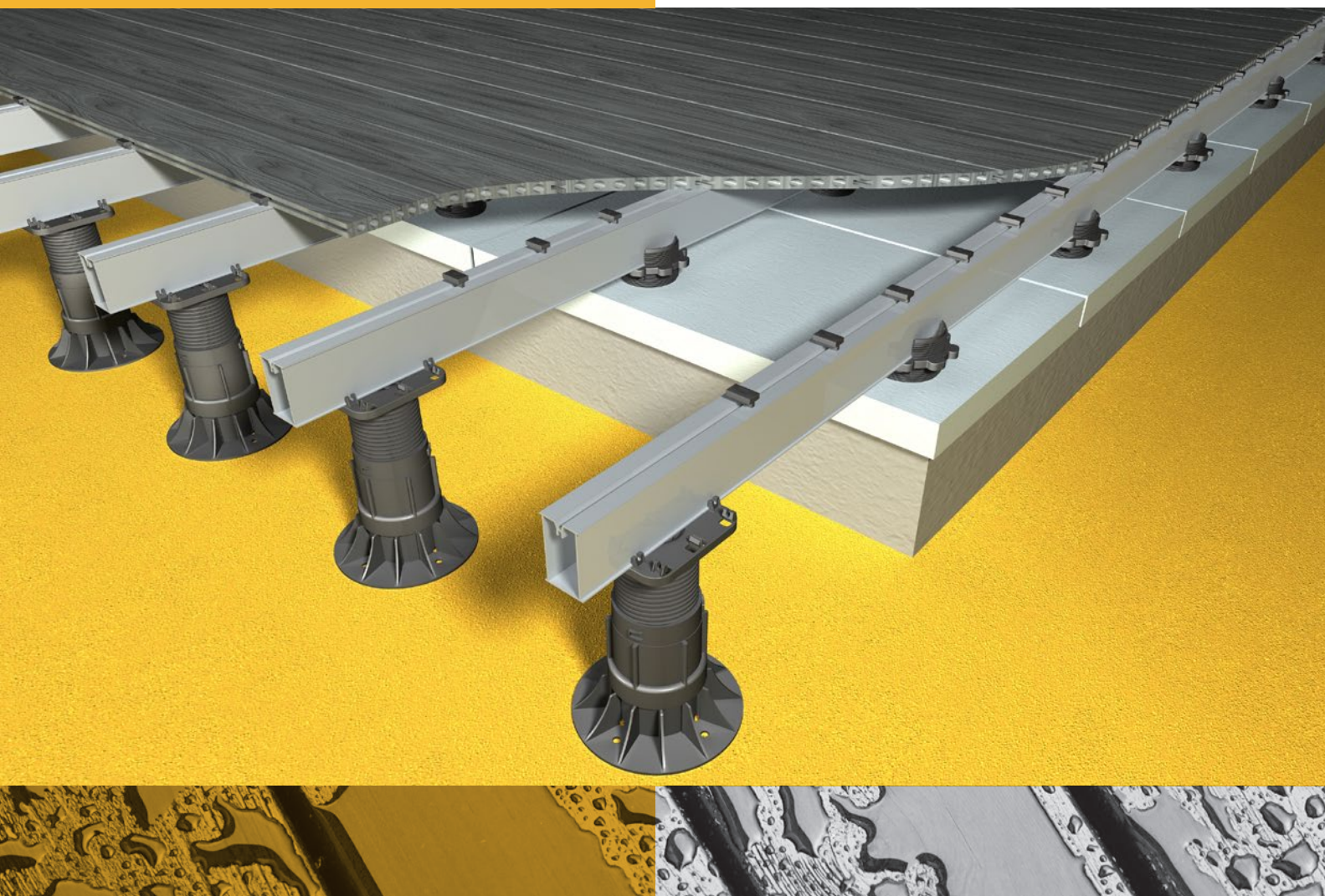
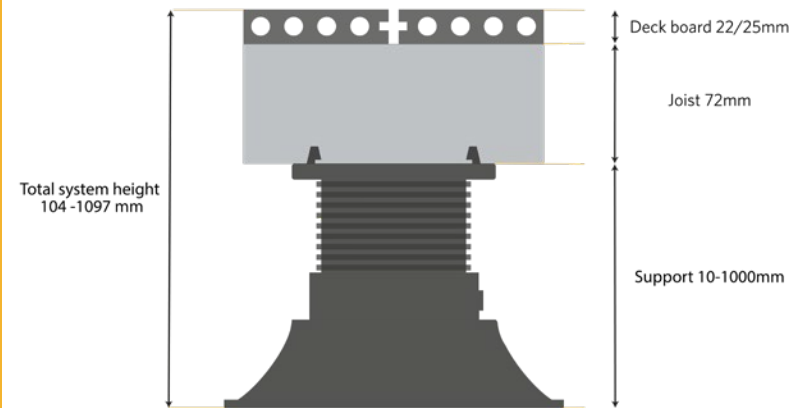
104-1097mm height build-up

UltraTerrace™ is simply put, the ultimate decking solution, combining the highest spec Ryno deck support products.

- Ideal for projects with complex maintenance access requirements, such as piping, lighting and services
- Accommodates large variances in surface height and slopes of up to 10.5%
- Simple design makes creation of complex decking areas very straight-forward
- Unparalleled strength and longevity
- Perfect for balconies, podiums and terraces



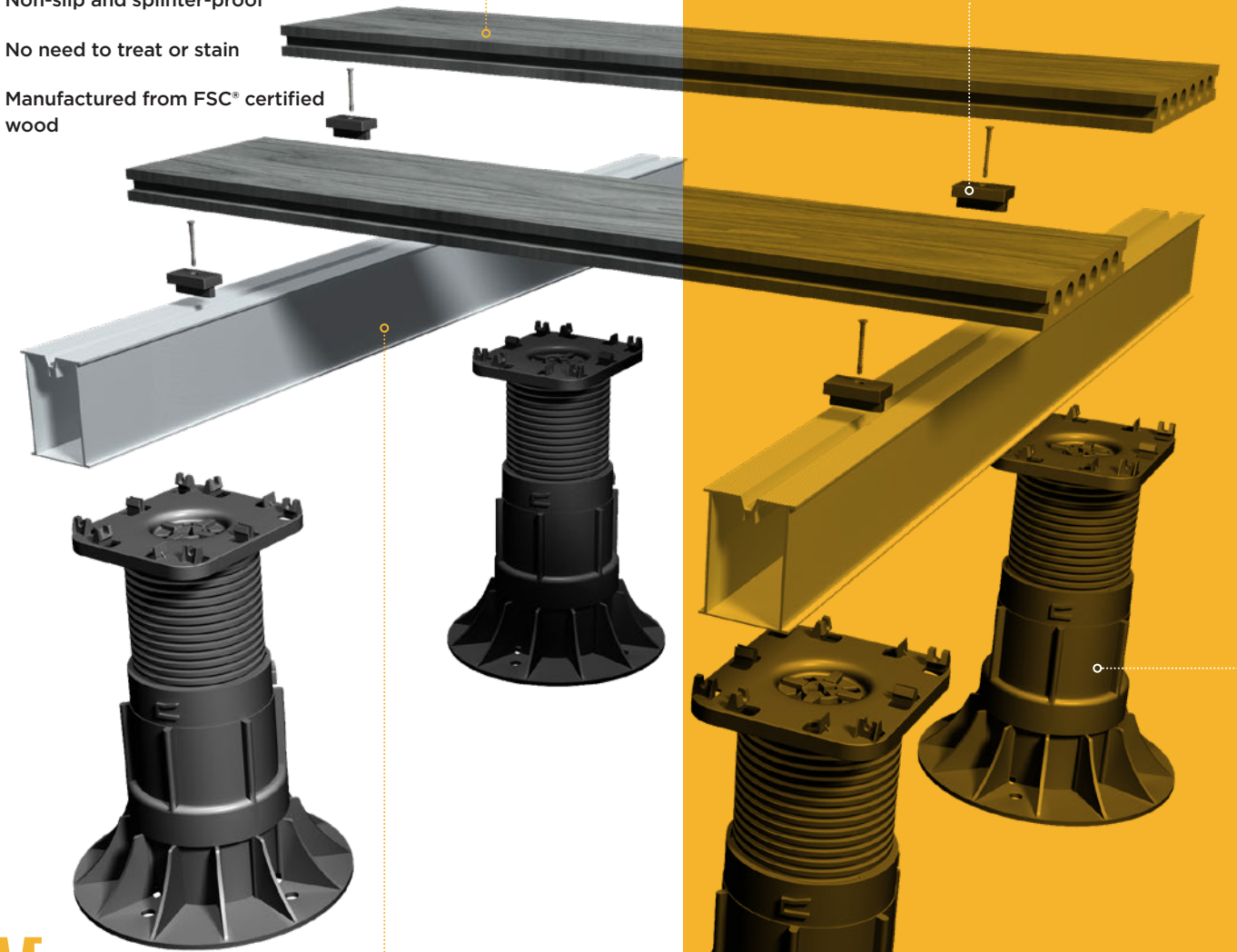
UltraTerrace total height build-up



Composite deck boards

With 3 finishes and 8 distinctive colour choices available,

- Long-lasting: will not rot, warp or twist
- Non-slip and splinter-proof
- No need to treat or stain
- Manufactured from FSC® certified wood



Hidden fixings

Plastic T-clip and stainless steel crew make installation fast and simple, creating a 6mm gap between deck boards.



DS72 Aluminium Decking Joist

The strongest of all Ryno aluminium joists, DS72 aluminium joist is ideal for applications with greater height build-up requirements. Joists span 1200mm between pedestals, meaning less pedestals are required and speeding up install.

- Greater strength-to-size ratio than timber or composite joists
- Continuous fixing channel designed to offer optimum strength
- Always completely straight, ensuring perfectly even decking
- Will not warp, twist, splinter or crack
- Available in mill finish or black powder coated



RDAC 'Clip-on' Self-Levelling Adjustable Pedestal

Unrivalled in its field, the Ryno self-levelling adjustable pedestal offers the highest compressive strength of any pedestal system on the market.



- Joists simply 'click' into place
- Easily accommodates sloping areas of up to 10.5%
- Allows millimeter perfect adjustment
- Wide supporting base evenly spreads load, protecting membranes

Signature™ Range

Premium wood-grain effect composite decking boards.

- Textured wood-grain, for the look of wood without the downsides of timber
- Engineered with plastic cap for maximum possible durability
- Protected from expansion, fading and staining
- Low-maintenance, non-slip and splinter proof

Deck Board Finishes

Board dimensions 142mm x 22mm x 3m



Teak



Mahogany



Silver Birch



Ebony

Edge Board



Available in all finishes
3m lengths

Fixings



DS-SSDS-38
Stainless Steel
3.9 x 38mm
CK screw for
Plastic T-Clips



DS-SSDS-19
Stainless Steel
3.9 x 19mm
CK screw for
starter/end Clip



DS-SSTS-35
Stainless Steel
3.5 x 35mm
Timber screw for
Plastic T-Clips



Starter/End Clip
Hidden clip for
fixing down
decking to joists



Plastic T-Clip
For fixing down
decking at start
and finish of
decking areas

Technical Specifications

Density (ASTM D792-13 Method B)

1.19g/cm³

Flexural strength (ASTM D790-10 Procedure A)

34.5 MPa

Flexural modulus (ASTM S790-10 Procedure A)

3510 MPa

Izod unnotched impact strength (ASTM D4812-11)

88 J/m

Shore hardness (with ref to ASTM D2240-05 2010)

D/70/1

Tensile strength (ASTM D638-14)

24.9 MPa

Water absorption (ASTM D570-98 2010)

0.63%

Coefficient of linear thermal expansion (1/C°)
(ASTM D696-08)

-30°C-30°C: 33.12x10⁻⁶

Slip resistance (BS7976-2)

PTV (Dry): 62, PTV (Wet): 39

Reaction to fire (EN ISO 3501-1)

C_{fl} - s1

Get started with RynoTerrace

For help understanding which RynoTerrace system is the right one for your project or for any other guidance, call Ryno on:

01358 726000

Classic™ Range

Contemporary grooved composite decking boards.

- Ridged, for the quintessential composite look
- Reversible boards, with 2 groove-spacing options
- Low-maintenance, non-slip and splinter proof

Deck Board Finishes

Board dimensions 150mm x 25mm x 3m



Sand



Chocolate



Slate



Charcoal

Edge Board



Available in all finishes
3m lengths

Fixings



DS-SSDS-38
Stainless Steel
3.9 x 38mm
CK screw for
Plastic T-Clips



DS-SSDS-19
Stainless Steel
3.9 x 19mm
CK screw for
starter/end Clip



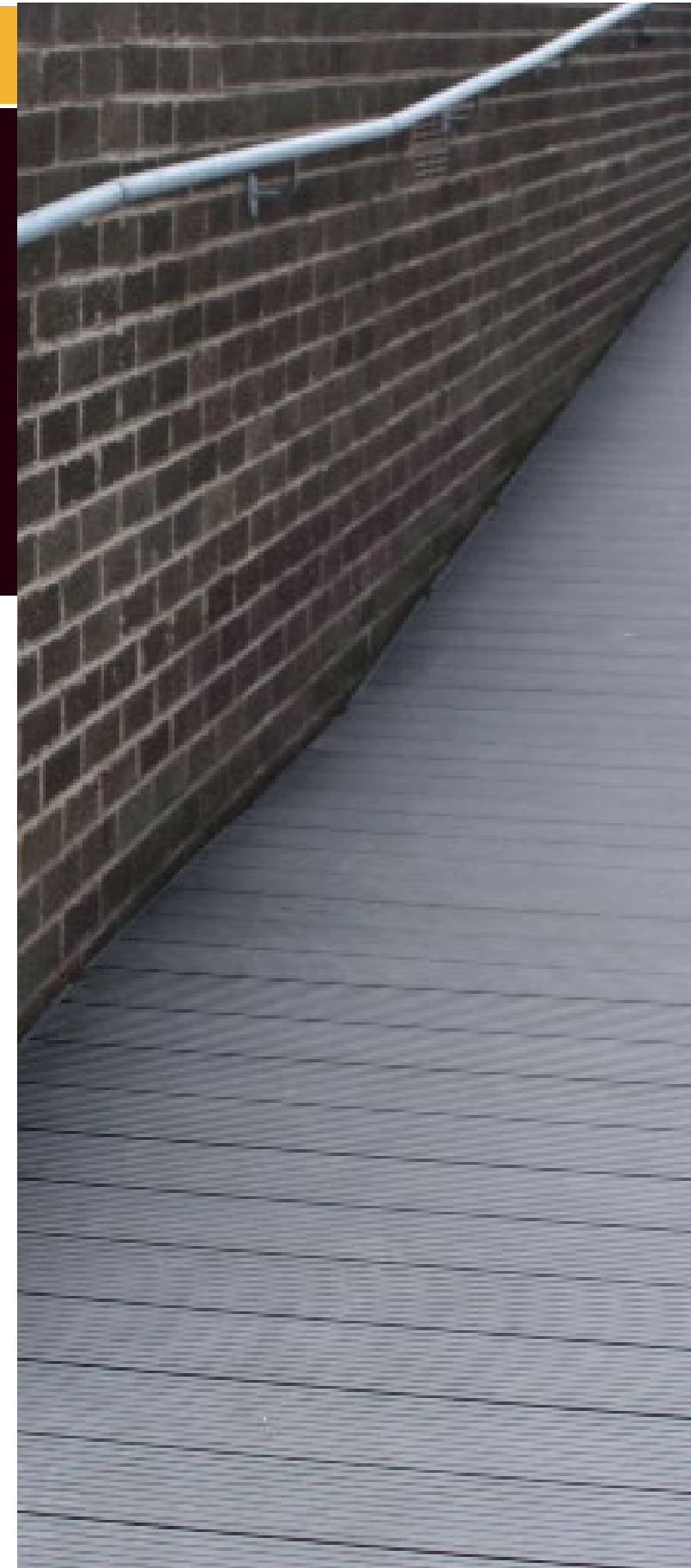
DS-SSTS-35
Stainless Steel
3.5 x 35mm
Timber screw for
Plastic T-Clips



Starter/End Clip
Hidden clip for
fixing down
decking to joists



Plastic T-Clip
For fixing down
decking at start
and finish of
decking areas



Technical Specifications

Density (ASTM D792-13 Method B)

1.33g/cm³

Flexural strength (ASTM D790-10 Procedure A)

40.4MPa

Flexural modulus (ASTM S790-10 Procedure A)

5240MPa

Izod unnotched impact strength (ASTM D4812-11)

72 J/m
C (Complete break)

Shore hardness (with ref to ASTM D2240-05 2010)

D/72/1

Tensile strength (ASTM D638-14)

25.5MPa

Water absorption (ASTM D570-98 2010)

1.15%

Coefficient of linear thermal expansion (1/C°)
(ASTM D696-08)

-30°C-30°C:31.85x10⁻⁶

Slip resistance Narrow Grooves (BS7976-2)

PTV (Dry): 57, PTV (Wet): 43

Slip resistance Wide Grooves (BS7976-2)

PTV (Dry): 56, PTV (Wet): 39

Reaction to fire (EN ISO 3501-1)

C_{fl} - s1

Get started with Rynoterrace

For help understanding which Rynoterrace system is the right one for your project or for any other guidance, call Ryno on:

01358 726000

Aluminium Decking Joist

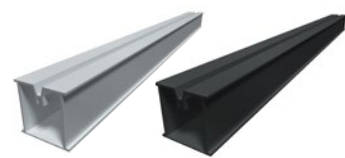
Aluminium is the ideal partner for our decking and supports: super-strong and simple to handle.

- Non-combustible, achieving a Class 1 surface spread of flame to BS476: Part 5
- Will not warp, twist, splinter or crack
- Lighter than timber and composite joists, imposing less weight on supporting structures
- Available mill finished or powder coated to RAL 9005 (black) for total concealment

Joist profiles



DS22 Aluminium Joist
MicroTerrace™
Width: 48mm
Depth: 22mm



DS38 Aluminium Joist
MidiTerrace™
Width: 48mm
Depth: 38mm



DS72 Aluminium Joist
UltraTerrace™
Width: 48mm
Depth: 72mm



DS-PF
Perimeter/Fascia Profile
Fixes to side of joist to allow vertical fixing of boards where step/fascia detail is required.

Connections



DS-SC
Straight Joist Connector



DS-AC 90
Angle Joist Connector 90°



DS-AC 135
Adjustable Angle Joist Connector



DS-VC
Perimeter/Fascia Profile Bracket



DS-BB
Ballast Bracket



DS-GA
Ground Anchor

Available for 22, 38 and 72mm joist profiles

Screws



DS-SSJS
Stainless Steel
Joist Screw for
Joist Connectors



Technical Specifications

Aluminium Decking Joist

Material

Aluminium Alloy 6063

Temper

T6

Finish

Mill finish or powdercoated to RAL 9005 (black)

Fire rating

"Non-combustible", achieving a Class 1 surface spread of flame to BS476: Part 5

Allowable joist span load

DS22	400mm
DS38	600mm
DS72	1200mm

Get started with RynoTerrace

For help understanding which RynoTerrace system is the right one for your project or for any other guidance, call Ryno on:

01358 726000

Support Systems

Our market-leading support systems allow quick, clean and easy deck building and providing the strongest possible foundation for decking.

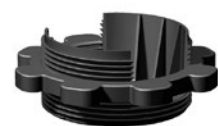
Deck Support Cradles

Ryno decking cradles are the perfect solution where decking requires elevating off the ground by a minimal height.

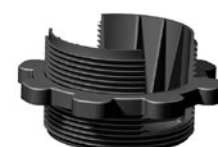
- Simple to install and adjust
- Laid loose: no need to fix cradle to surface
- Ensure proper drainage and air circulation: preventing rot



RDC10-25
MicroTerrace™
Height range: 10-25mm



RDC10-40
MidiTerrace™
Height range: 10-40mm



RDC10-55
UltraTerrace™
Height range: 10-55mm

Technical Specifications

RDC Adjustable Joist Cradles

Material

Recycled Nylon (glass filled)

Compression

6kN/M² (min. 6 cradles/m²)

Base diameter

90mm

Bearer width capacity

44mm to 50mm bearer width

Biological/chemical

Resistant to moulds, algae, alkali, bitumen, UV

Working temperature

-30°C to 120°C

Cradle spacing

350mm centre-to-centre (joist spacing 600mm max)



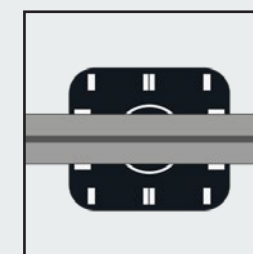
'Clip-on' Self-Levelling Adjustable Pedestal

Installation is quick and simple with Ryno 'clip-on' pedestals, which joists simply snap into: no need for fixings.

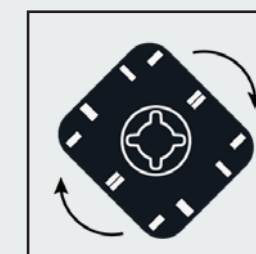


RDAC
UltraTerrace™
Height range: 40-1000mm
Slope correction: up to 10.5%

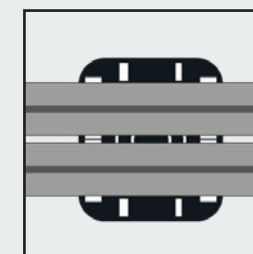
Features of the 'clip-on' self-levelling head:



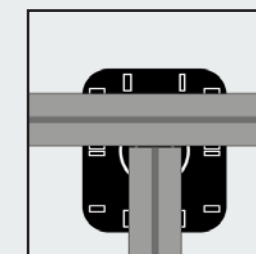
Single joists 'click' into place on the pedestal.



Rotate 'clip-on' head through 90°.



Double joists 'click' into place side by side, perfect for supporting board joists.



Versatile design allows for multi-directional applications.

Technical Specifications

RDAC 'Clip-on' Self-Levelling Pedestal

Material

PP Polypropylene (recyclable)

Compression

2100kg (certified compression data available on request)

Base diameter

210mm/220mm

Head dimensions

115x130mm

Bearer capacity

Single or double aluminium joists

Biological/chemical

Resistant to moulds, algae, alkali, bitumen, UV

Working temperature

-40°C to 120°C

Pedestal spacing

400mm (DS22) 600mm (DS38), 1200mm (DS72)

Non-Combustible Aluminium Decking System

Patent application numbers:
GB1909689.0, GB1904312.4, GB1910218.5

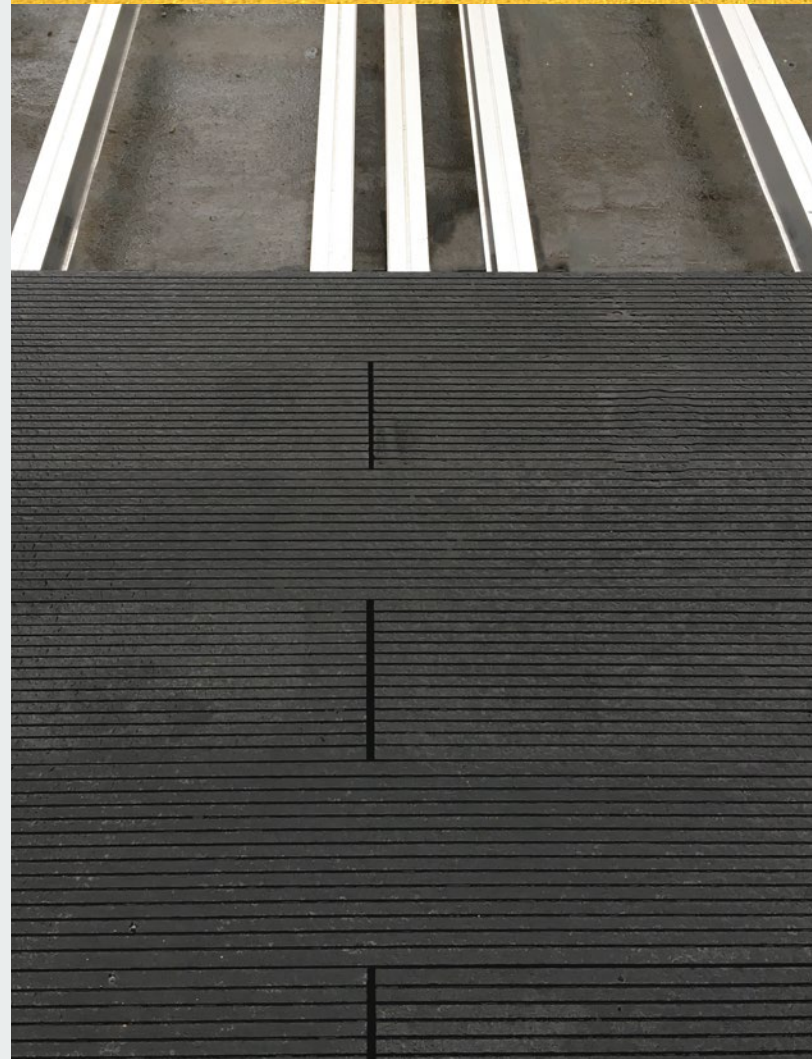
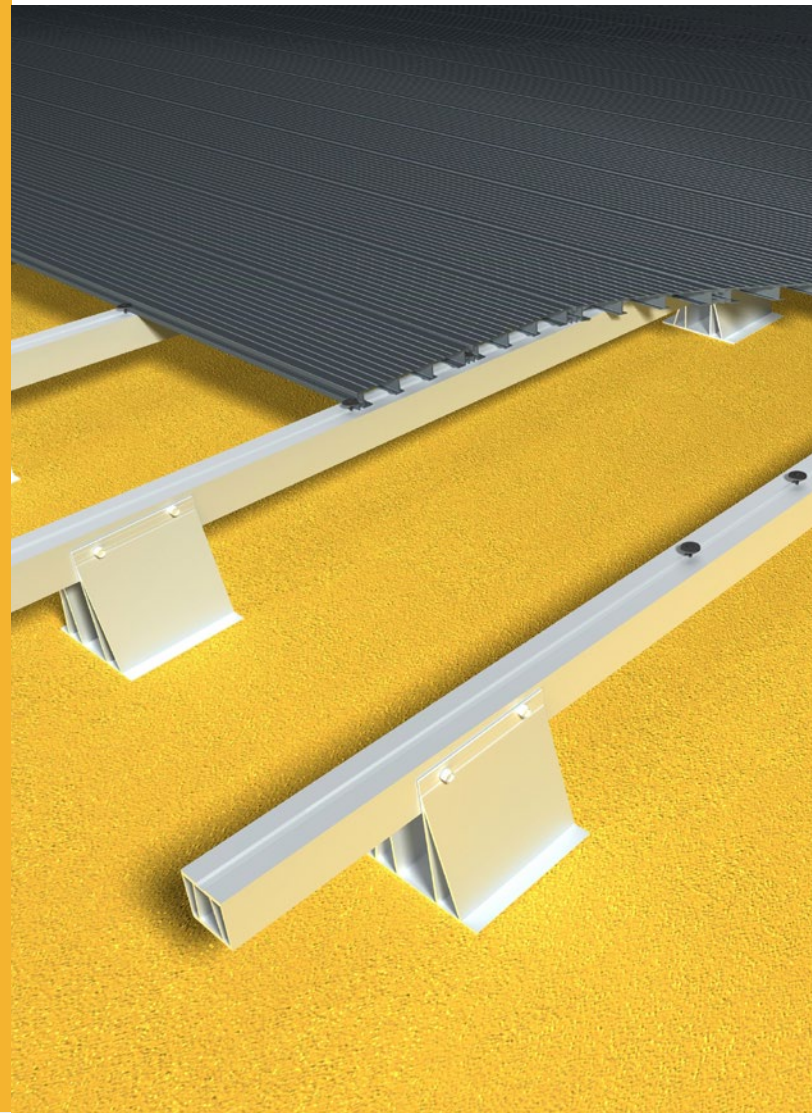
Simple to install, ultra long-lasting and slip-resistant decking system which conforms to the highest possible fire ratings in the construction industry.



Non-combustible

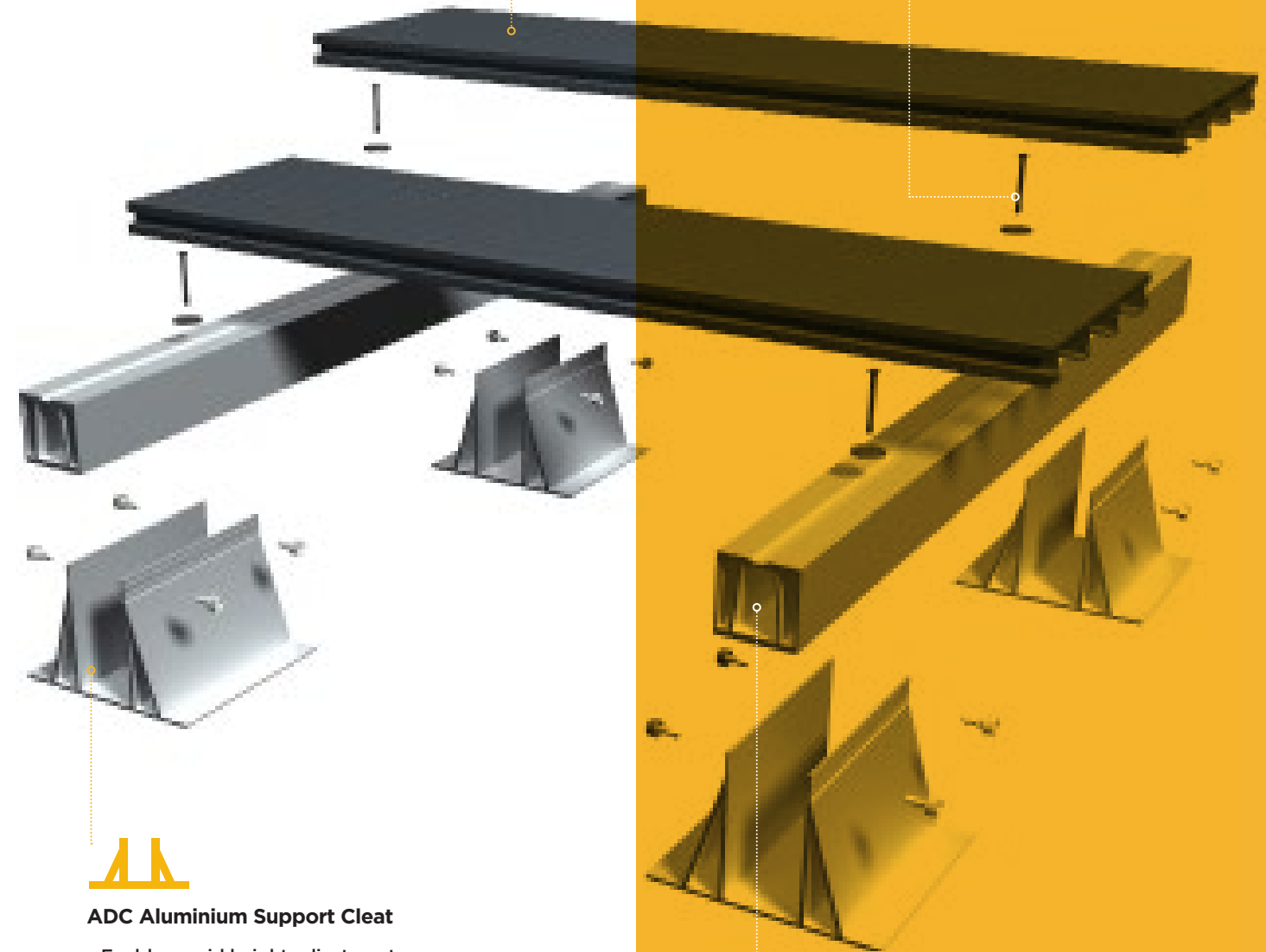
Strength, safety, sustainability.

- Simple, effective design
- Fully non-combustible: achieves Euroclass A1 fire rating (Coating A2)
- Powder-coated for slip-resistance
- Ideal for balconies, podiums and terraces



Aluminium deck boards

- Available powder-coated or mill-finish anodized, in any standard RAL colour
- Long-lasting: will not rot, warp or twist
- Anti-slip, aesthetic textured finish
- No maintenance required
- Scratch-resistant highly durable coating



ADC Aluminium Support Cleat

- Enables rapid height adjustment to cater for falls
- Large base protects membranes



Hidden fixing system

- Metal circular clip and screw
- Creates a 6mm gap between boards
- Enables free drainage
- Enables rapid installation



ADS Aluminium Balcony Joist

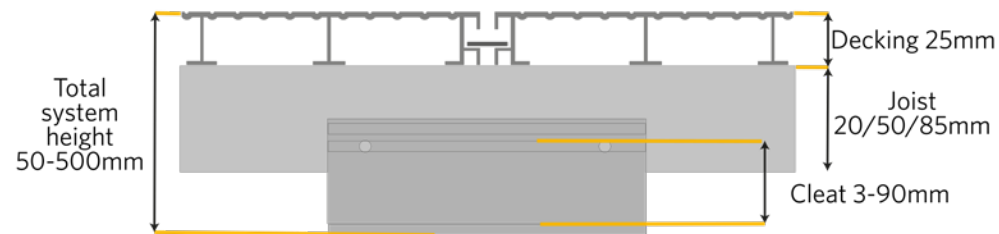
- Huge joist span
- Long-lasting - will never rot or warp
- Available in mill finish or powder-coated
- Lightweight

Non-Combustible Aluminium Decking System

Patent application numbers:
GB1909689.0, GB1904312.4, GB1910218.5

Size

AluTerrace™ total height build-up



Accessories



Decking Screw
Stainless Steel A4 316
3.9 x 38mm self-drill decking screw for metal decking clips



Cleat/Joist Screw
Stainless Steel A2
5.5 x 13mm MX8 screw for fixing joists to cleats



Fixing Washer
Stainless steel A2
Circular metal hidden clip for fixing down decking boards



Starter/End Clip
Stainless steel 201
For fixing down decking at the start and finish of areas



Side Termination Profile
Aluminium 6063
For terminating cut boards at edge of decking



End Termination Profile
Aluminium 6063
For terminating board ends



Technical Specifications

Aluminium Grade

6063 T6

Allowable load

Uniformly distributed >4.0kN/m²

Concentrated: 1.4kN

Board dimensions

200 x 25mm x 3m
(bespoke lengths available up to 6m)

Biological/Chemical

Resistant to moulds, algae, alkali, bitumen, UV

Slip resistance (BS7976-2)

PTV (Dry): 59, PTV (Wet): 43

Working temperature

-30°-500°C

Get started with RynoTerrace

For help understanding which RynoTerrace system is the right one for your project or for any other guidance, call Ryno on:

01358 726000



Ryno Ltd.
CastlePoint
Castle Way, Ellon
AB41 9RG

01358 726000
sales@rynogroup.co.uk
rynogroup.co.uk

Part of the
Whitesales Group

RYNO  TerraceDeck™

RYNO  AluTerrace™