

## DMC-C P4 Secure

MANUALLY OPENED FLAT ROOF WINDOW WITH TRANSPARENT DOME AND P4 GLAZING UNIT

### I. APPLICATION

Plastic window/skylight with the base intended for flat roofs.

Parameter	Value/Type	Marking
Roof angle	0° - 15°	
Roofing base type	membrane, roofing felt paper, green roofs, gravel roofs	-

### II. WINDOW SET ELEMENTS

NO.	Element	Quantity	Description
1.	Sash equipped with glazing unit, frame is base of the window	1	P4 – anti-burglary glazing unit (class P4A) with external glass toughened and safe internal glass laminated. Multi-chamber PVC profile.
2.	Dome	1	Transparent, UV-stabilized polycarbonate with a thickness of 3mm (sizes to 06K- 90x120) or 4 mm (sizes from 07K- 100x100)
3.	Assembly set	1	Set fixing the dome and hindering its removal. Material resistant to weather conditions (alloy of Al-Zn)
4.	Profiles mounting roofing	4	Profiles mechanically mounting roofing to the frame
5.	Screw servo-motor	1	Maximum sash tilt: 300mm <b>Note:</b> ZSD rod control for opening the window is not included in the window set and must be purchased separately.

### IV. TECHNICAL PARAMETERS

Parameter	Unit	Value	Standard
U	[W/m²K]	1.2	EN ISO 12567-2
U <sub>g</sub>	[W/m²K]	1.1	EN 673
R <sub>w</sub>	[dB]	35(-1,-3)	EN ISO 10140-2
τ <sub>v</sub>	[%]	57.7 (59.1*)	EN 410
U <sub>r</sub>	[W/m²K]	0.90	EN ISO 10077-2:2012, EN 1873:2006 p.5.9
Ψ	[W/mK]	0.036	EN ISO 10077-2:2012, EN 1873:2006 p.5.9
g	[%]	43.5	EN 410
Tearing out load resistance		<b>UL 1500</b>	EN 1873:2005
Clamping load resistance		<b>DL 2500</b>	EN 1873:2005
Watertightness		<b>complies</b>	EN 1873:2005
Impact resistance, small hard body		<b>complies</b>	EN 1873:2005
Impact resistance, large soft body		<b>SB 1200</b>	EN 1873:2005
Air permeability		<b>Class 4</b>	EN 1873:2005
Internal glass laminated		<b>P2A</b>	EN 356
External glass toughened		<b>1C3</b>	EN 12600
Glazing unit		4H-Tg14Ar-33.4T	

\* for a dome made of material with a thickness of 3mm.

### V. DECLARATION OF PERFORMANCE

Harmonized standard for the product	Marking	Declaration of Performance No.
EN1873 :2005	CE	<b>R51/CPR/1873/xx**</b>

\*\* - declaration's release year, eg. R51/CPR/1873/15 released in 2015

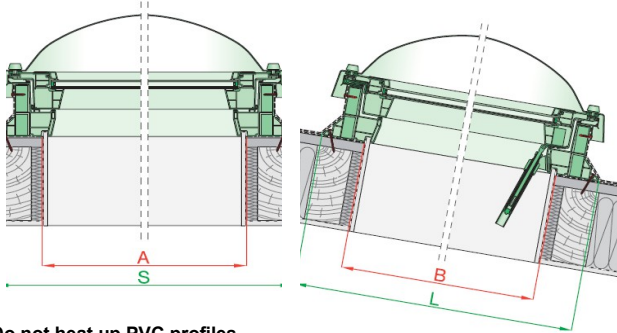
### III. SIZES

There are available 11 standard sizes. It is not possible to manufacture non-standard sizes.

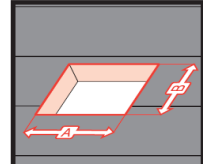
DMC-C P2	window width [cm]						
	60	70	80	90	100	120	140
60	0,23						
70		0,33					
80			0,46				
90	0,37			0,6			
100					0,77		
120				0,83		1,16	
140							1,63
150					1,21		
220						2,23	

Available sizes  
 effective glazing area

## VI. ASSEMBLY INFORMATION

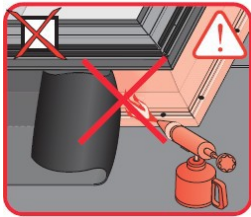


Window commercial size is an opening size in the roof (size A, B). Tolerance of the opening dimensions within +5 cm per side is possible.



DMC	A	B
[cm]	[cm]	
60x60	60-65	60-65
60x90	60-65	90-95
70x70	70-75	70-75
80x80	80-85	80-85
90x90	90-95	90-95
90x120	90-95	120-125
100x100	100-105	100-105
120x120	120-125	120-125
140x140	140-145	140-145
100x150	100-105	150-155
120x220	120-125	220-225

Do not heat up PVC profiles



## VII. DETAILED SIZES

Window size	Size symbol	Frame external size	Distance between lining grooves	Glazing area	Height
		S x L	p x q	j x k	
[cm]		[mm]			
60 x 60	01K	820 x 820	558 x 558	476 x 476	347
60 x 90	02K	820 x 1120	558 x 858	476 x 776	347
70 x 70	03K	920 x 920	658 x 658	576 x 576	347
80 x 80	04K	1020 x 1020	758 x 758	676 x 676	347
90 x 90	05K	1120 x 1120	858 x 858	776 x 776	382
90 x 120	06K	1120 x 1420	858 x 1158	776 x 1076	382
100 x 100	07K	1220 x 1220	958 x 958	876 x 876	382
120 x 120	08K	1420 x 1420	1158 x 1158	1076 x 1076	432
140 x 140	09K	1620 x 1620	1358 x 1358	1276 x 1276	432
100 x 150	10K	1220 x 1720	958 x 1458	876 x 1376	432
120 x 220	11K	1420 x 2420	1158 x 2158	1076 x 2076	432

