

Magply



**EUROCLASS A1
PERFORMANCE**



**ENVIRONMENTALLY
FRIENDLY**



ETA 17/0976



BREATHABLE



**STRONG AND
EASY TO USE**



**MOISTURE
PROTECTION**

Introduction

The Magply Euroclass A1 board can be used as a fire mitigation sheathing board for Timber Frame, Steel Frame, Rainscreen Cladding, SIP Panels, Spandrel Panels and Modular Build.

Magply features a Magnesium Oxide formulation which is manufactured from a production process that ensures a very low chloride content enhancing both stability and durability. Magply carries internationally recognised accreditations confirming the boards' ability to deliver fire integrity, racking strength, impact and pull-out resistance.



Thickness (mm)	Width (mm)	Length (mm)	Weight (kg.m ²)	Weight per board	Surface m ²
9	1200	2400	9.94	28	2.88
		2700		32	3.24
		3050		36.4	3.66
		2440		29	2.98
12	1200	800	13.19	13	0.96
		2400		38	2.88
20	1200	2400	21.88	63	2.88

Thermal Conductivity	0.19 W/mK
Fire Classification	Class 0 Euroclass EN13501* A1 (Non-Combustible)
Reaction to Fire	Passed BS EN 1716 Reaction to Fire* Passed
Appearance	Solid flat sheet board
Colour & Odour	White, Odourless Change of State None
Vapour Resistance	Vapour Resistance 0.31 MNs/g (EN ISO 12572*)
Melting point	Melting point: 2400°C
Vapour pressure	EN ISO 12572: 2016 = 0.31 MNs.g-1.
pH level	pH level: 7.5
Solubility	Solubility: Insoluble in Water
Acoustic	9mm Rw 28dB 12mm Rw 29dB 20mm Rw 31dB EN ISO 717-1:2013

For more information on testing please contact the Magply Technical line: 01621 776 252



TIMBER FRAME (Rockwool)

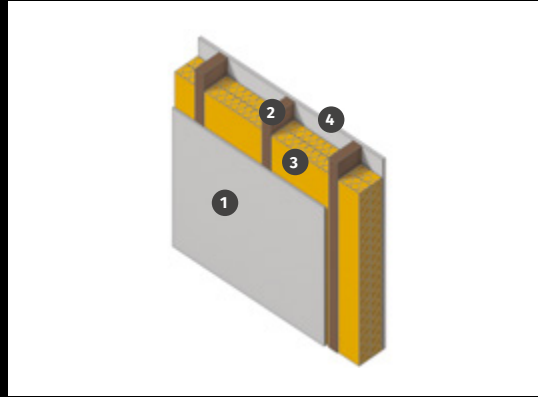
STANDARD: BS 476: PART 22: 1987 | TEST DATE: 19th JUNE 2015

91
MINUTES

INTEGRITY

86
MINUTES

INSULATION



- 1 9mm Magply
- 2 38mm x 140mm Section
- 3 2 x Layers Rockwool
- 4 15mm Gyroc Fireline

TIMBER FRAME (PIR)

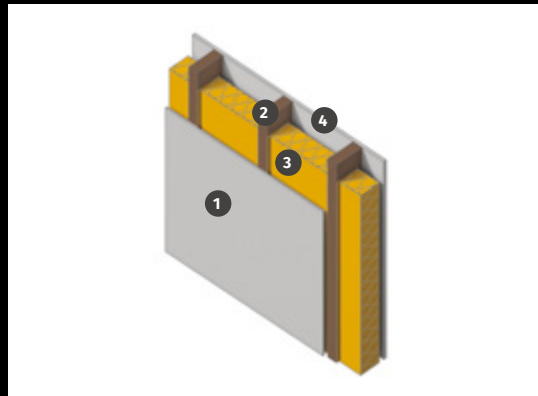
STANDARD: BS EN 1364 - 1 2015 | TEST DATE: 19th JUNE 2015

75
MINUTES

INTEGRITY

66
MINUTES

INSULATION



- 1 9mm Magply
- 2 38mm x 140mm Section
- 3 110mm Polyisocyanurate
- 4 15mm Knauf Fire Panel

SPANDREL PANEL (UN-INSULATED)

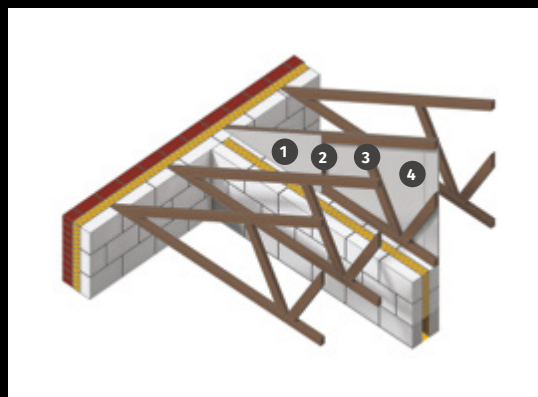
STANDARD: BS 476: PART 22: 1987 | TEST DATE: 17th FEBRUARY 2018

132
MINUTES

INTEGRITY

62
MINUTES

INSULATION



- 1 12mm Magply
- 2 100mm Cover Strip
- 3 38mm x 89mm Section
- 4 12mm Magply



LOAD BEARING WALL

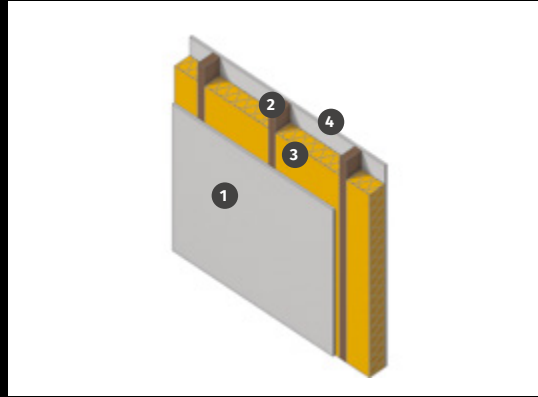
STANDARD: BS EN 1365-1: 2012 | TEST DATE: 6th OCTOBER 2016



INTEGRITY



INSULATION



- 1 9mm Magply
- 2 38mm x 90mm Section
- 3 Knauf Insulation
- 4 9mm Magply

STEEL FRAME PARTITION

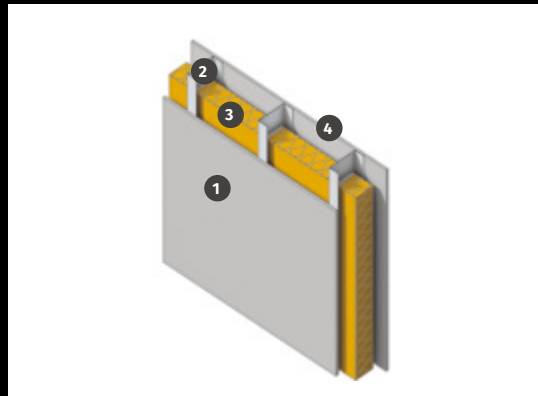
STANDARD: BS EN 1364 - 1 2015 | TEST DATE: 31st MARCH 2017



INTEGRITY



INSULATION



- 1 9mm Magply
- 2 70mm x 32mm Section
- 3 70mm Mineral Wool
- 4 9mm Magply

NON LOAD-BEARING PARTITION WALL

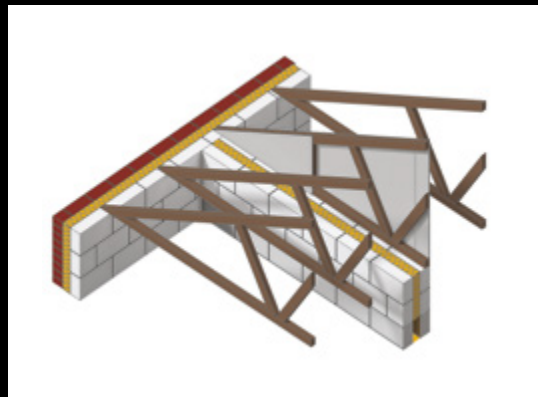
STANDARD: BS476 Part 22:1987 Clause 5 | TEST DATE: 17th AUGUST 2017



INTEGRITY



INSULATION



- ▶ 12mm Magply
- ▶ 38mm x 89mm Section
- ▶ 50mm Cavity
- ▶ 38mm x 89mm Section
- ▶ 12mm Magply

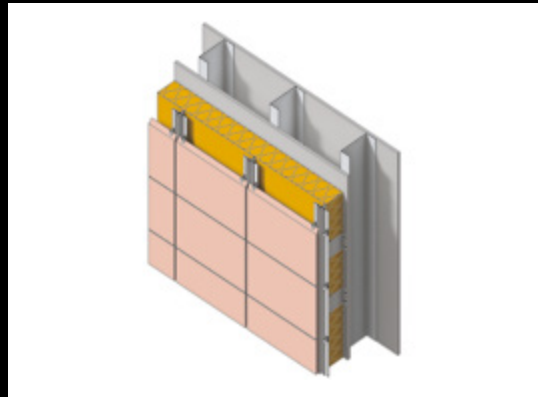


EXTERNAL CLADDING

STANDARD: EN 13501-1:2007 A1: 2009 | TEST DATE: 14th JUNE 2016



**A1 CLASSIFICATION
OF REACTION TO FIRE
PERFORMANCE**

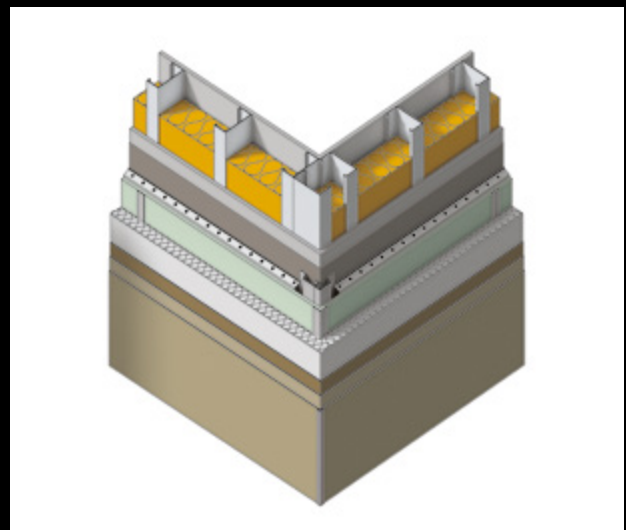
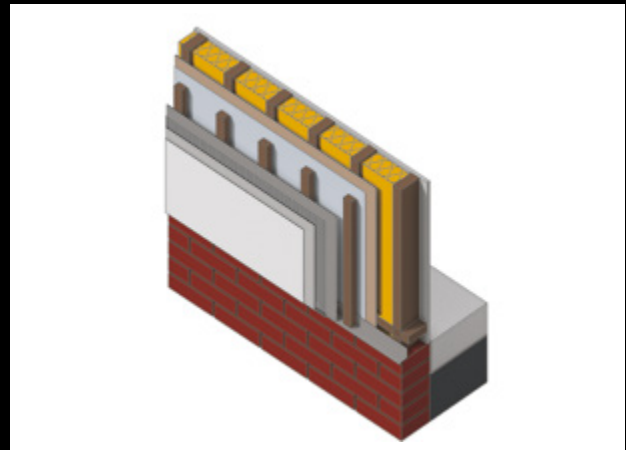


In line with the Building Control Alliance Technical note 18; 'use of Combustible Cladding Materials on residential buildings paragraph 12.7 of AD B2' - use materials of limited combustibility throughout the cladding system.

RENDER APPLICATIONS

Magply has been specially formulated for render systems to achieve a strong key between polymer basecoats and top coats. The board structure provides high tensile strength for long term durability and is used to form the external facades of commercial & domestic projects which utilise steel or timber frame structures.

Magply provides a strong, lightweight structure which can be erected in a fast, efficient manner for the external render system. Render suppliers named below have extensively tested and approved Magply as a suitable substrate but if a render other than those listed is chosen the applicator should test to ensure compatibility before deciding to proceed. Please contact Magply or the render manufacturer to discuss the relevant specification, this will include board preparation and fixing advice which may differ from one render supplier to another.



PAREX
Building expertise, together

 **MAPEI**

 **K Rend**



Magply

TESTED & CERTIFIED BY



LUCIDEON
insight creating advantage



BUNCH
BYGNINGSFYSIK

FOR MORE INFORMATION

www.magply.co.uk

01621 776252 | sales@magply.co.uk